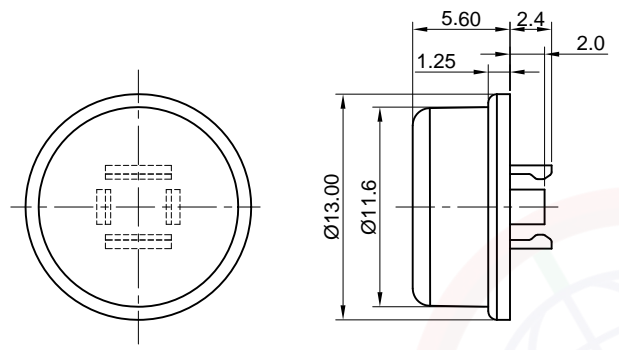
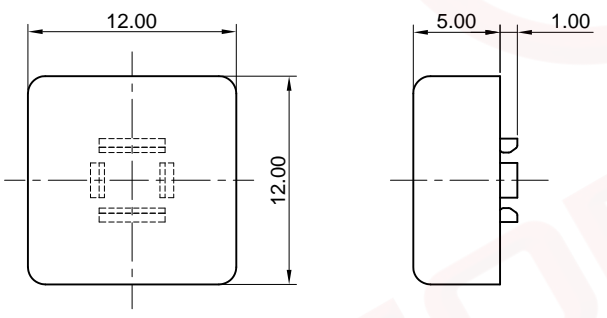


The information provided herein is from CONNELY Electronic Co., Ltd. and is confidential. Any disclosure to a party other than the recipient is prohibited. The intellectual properties and its rights contained herein, including but not limited to, trademarks, patents, copyrights, trade secrets, and technical know-how, are owned exclusively by CONNELY or its affiliates. Unauthorized use of any information contained herein, in any form or by any means, without the prior written consent of CONNELY is strictly prohibited. CONNELY may enforce its intellectual property rights at its own discretion, failures or delays to exercise such rights does not constitute a waiver of such rights.

Circle



Square



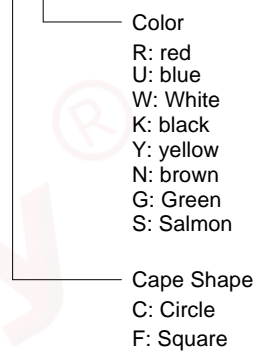
(Series Image-Reference Only)

REV.	DESCRIPTION	DRAWN	CHECKED	APPROVED
A	NEW RELEASE	LJC 08/16/07'		LJC 08/16/07'
B	DRAWING UPDATE	JLZ 10/19/20'		

NOTES:

1. Material: ABS.
2. These Cover for switches are available in square and circle.
3. The color are available on request. Standard color is ivory.
4. Part Number Code:

DS1042-02 - X X



GENERAL TOLERANCE		ANGLE TOLERANCE		PROJECTION		TITLE	
X.	±0.60	X.	±5°	UNITS	mm	Switch Cover	
.X	±0.38	.X	±3°	SHEET SIZE	A4	SERIES	DS1042-02 SERIES
.XX	±0.25	.XX	±2°	晨翔电子有限公司 CONNFLY ELECTRONIC CO., LTD			
DRAWING TYPE		CUSTOMER					
SCALE	1:1	SHEET	1 OF 1				
DRAWING NO.		C-DS1042-02-XX-B					