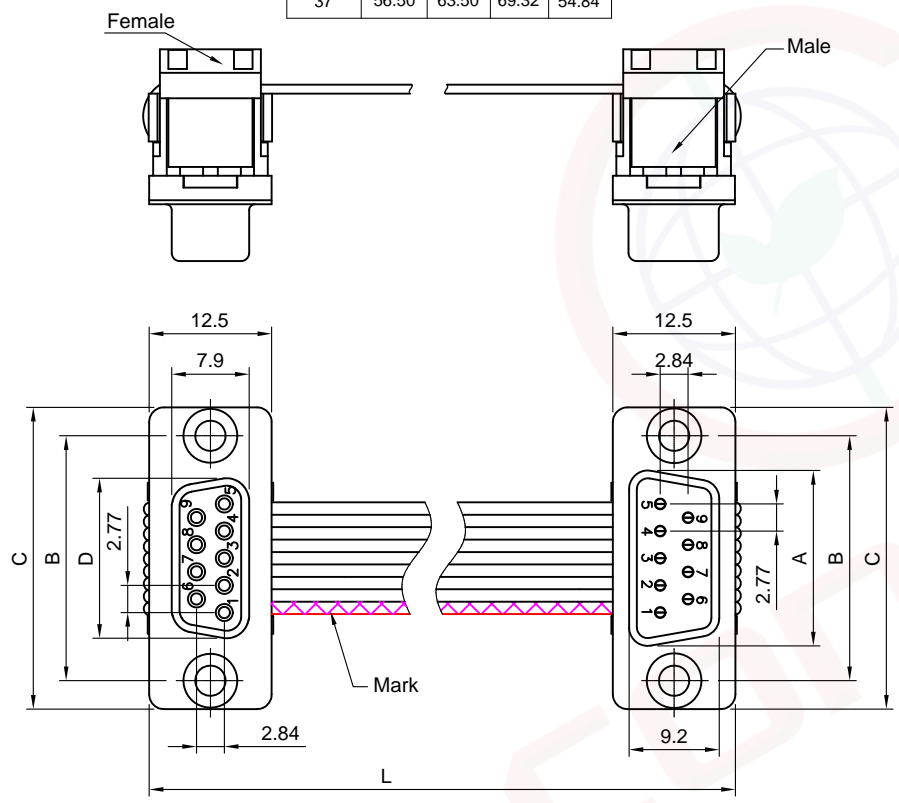


Dept	
Qty	
DC	1
ED	1
IE	1
ISO	1
PD	1
R&D	1
SD	1
QA	1
QC	1
QE	1

The information provided herein is from CONNELY Electronic Co., Ltd. and is confidential. Any disclosure to a party other than the recipient is prohibited. The intellectual properties and its rights contained herein, including but not limited to, trademarks, patents, copyrights, trade secrets, and technical know-how, are owned exclusively by CONNELY or its affiliates. Unauthorized use or reproduction of any part of this document is strictly prohibited. CONNELY may enforce its intellectual property rights at its own discretion, failures or delays to exercise such rights does not constitute a waiver of such rights.

Dimension

Position	A	B	C	D
09	17.90	24.99	30.80	16.33
15	26.50	33.32	39.14	24.66
25	40.00	47.04	53.04	38.38
37	56.50	63.50	69.32	54.84



(Series Image-Reference Only)

REV.	DESCRIPTION	DRAWN	CHECKED	APPROVED
A	NEW RELEASE	YCH 12/29/09'	~	
D	DRAWING UPDATE	JLZ 06/11/22'	~	

NOTES:

- Material
  - Insulator: Thermoplastic(UL94 V-0)
  - Contact: Copper Alloy
  - Shell: Steel
- Specifications
  - Storage Temperature: -20~+80°C
  - Insulation Resistance: 1,000MΩ min
  - Dielectric Withstanding Voltage: AC500V Per Minute
- Product number code:

DS1054 - X X X X X X X X

- Cable Style  
1: Type 1
- Length Dim L  
0150: 150mm  
0500: 500mm  
0100: 100mm  
0400: 400mm  
1500: 1500mm
- Wire Diameter  
1:Ø.100 Folwer mark  
2:Ø.127 Red mark  
3:Ø.100 Red mark  
4:Ø.127 Folwer mark
- Flat Cable Color  
A:Gray
- Rivet type  
P:W/ Thread(UNC #4-40)  
N:W/O Thread
- Contact plating  
0: Nickel + Gold flash
- Shell plating  
N:Nickel
- Housing color  
B:Black  
L:Blue
- Connector positions  
09: 9Pin 15: 15pin  
25: 25pin 37: 37pin

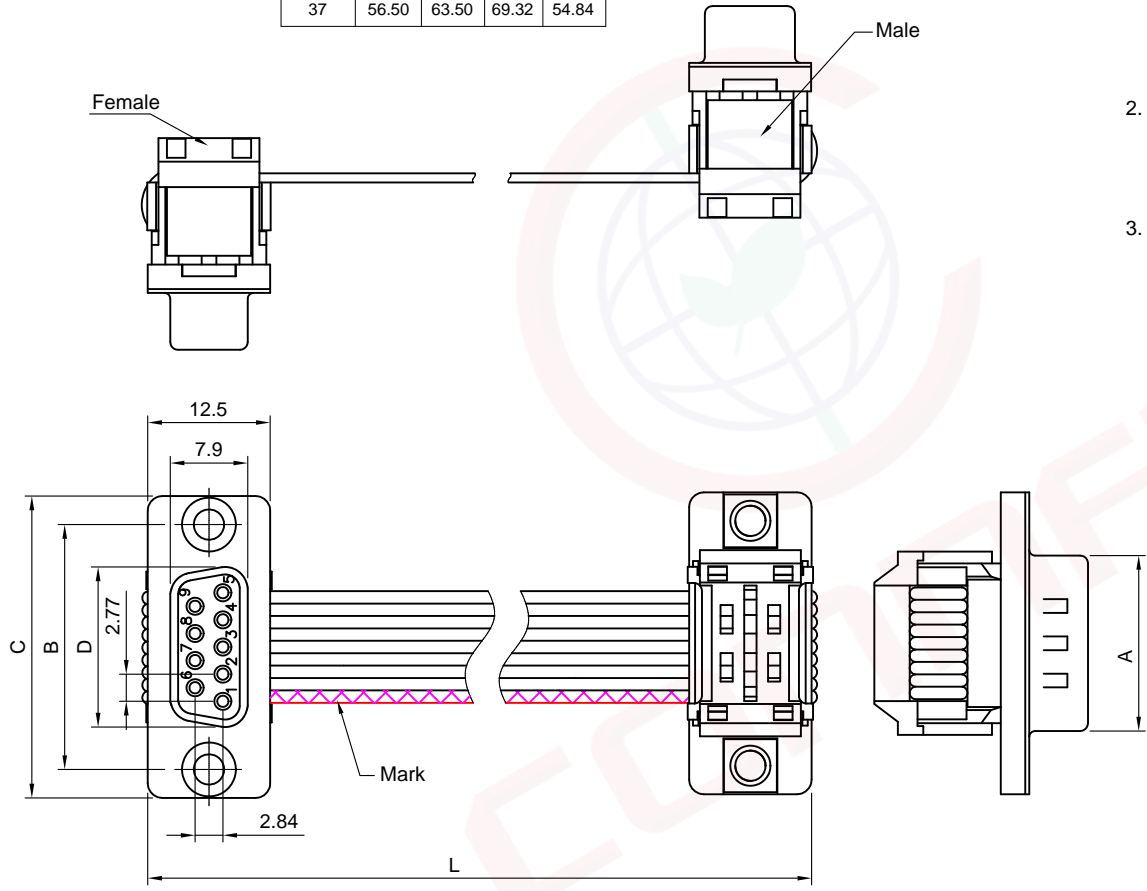
GENERAL TOLERANCE		ANGLE TOLERANCE		PROJECTION		TITLE	IDC D-SUB With Flat Cable	
X.	±0.60	X.	±5°	UNITS	mm			
.X	±0.38	.X	±3°	SHEET SIZE	A4	SERIES	DS1054 SERIES	
.XX	±0.25	.XX	±2°	<b>晨翔电子有限公司</b> <b>CONNFLY CONNELY ELECTRONIC CO. LTD</b>				
DRAWING TYPE		CUSTOMER						
SCALE	1:1	SHEET	1 OF 1					
DRAWING NO.		C-DS1054-XXXXXX1-D						

Dept	Qty
DC	1
ED	1
IE	1
ISO	1
PD	1
R&D	1
SD	1
QA	1
QC	1
QE	1

The information provided herein is from CONNELY Electronic Co., Ltd. and is confidential. Any disclosure to a party other than the recipient is prohibited. The intellectual properties and its rights contained herein, including but not limited to, trademarks, patents, copyrights, trade secrets, and technical know-how, are owned exclusively by CONNELY or its affiliates. Unauthorized use or reproduction of any part of this document is strictly prohibited. CONNELY may enforce its intellectual property rights at its own discretion, failures or delays to exercise such rights does not constitute a waiver of such rights.

Dimension

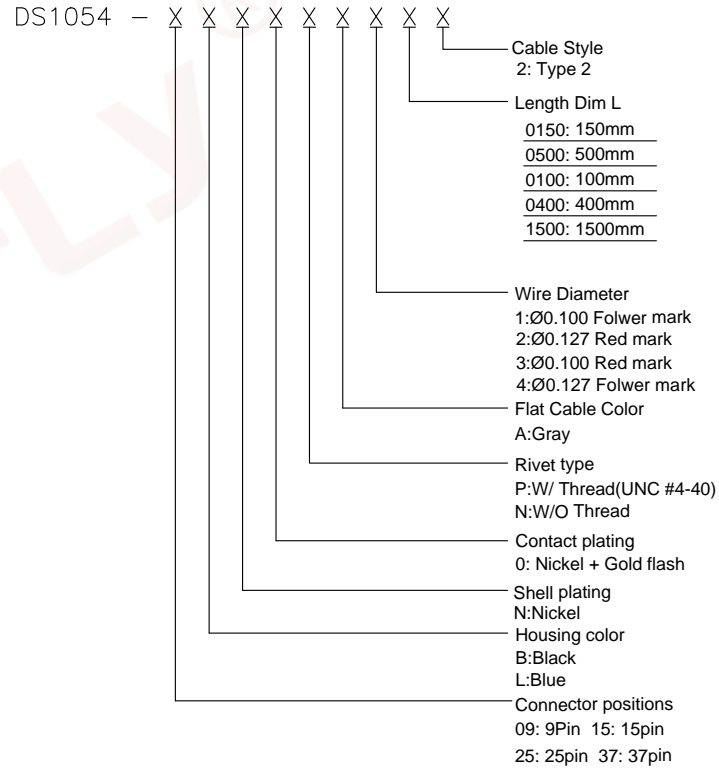
Position	A	B	C	D
09	17.90	24.99	30.80	16.33
15	26.50	33.32	39.14	24.66
25	40.00	47.04	53.04	38.38
37	56.50	63.50	69.32	54.84




(Series Image-Reference Only)

REV.	DESCRIPTION	DRAWN	CHECKED	APPROVED
A	NEW RELEASE	YCH 12/29/09'	~	
D	DRAWING UPDATE	JLZ 06/11/22'	~	

- NOTES:
- Material
    - . Insulator: Thermoplastic(UL94 V-0)
    - . Contact: Copper Alloy
    - . Shell: Steel
  - Specifications
    - . Storage Temperature: -20~+80°C
    - . Insulation Resistance: 1,000MΩ min
    - . Dielectric Withstanding Voltage: AC500V Per Minute
  - Product number code:



GENERAL TOLERANCE	ANGLE TOLERANCE	PROJECTION	TITLE	IDC D-SUB With Flat Cable	
X. ±0.60	X. ±5°	UNITS	mm		
.X ±0.38	.X ±3°	SHEET SIZE	A4	SERIES	DS1054 SERIES
.XX ±0.25	.XX ±2°	 <b>晨翔电子有限公司</b> <b>CONNELY ELECTRONIC CO., LTD</b>			
DRAWING TYPE	CUSTOMER				
SCALE	1:1				
DRAWING NO.	C-DS1054-XXXXXX2-D				

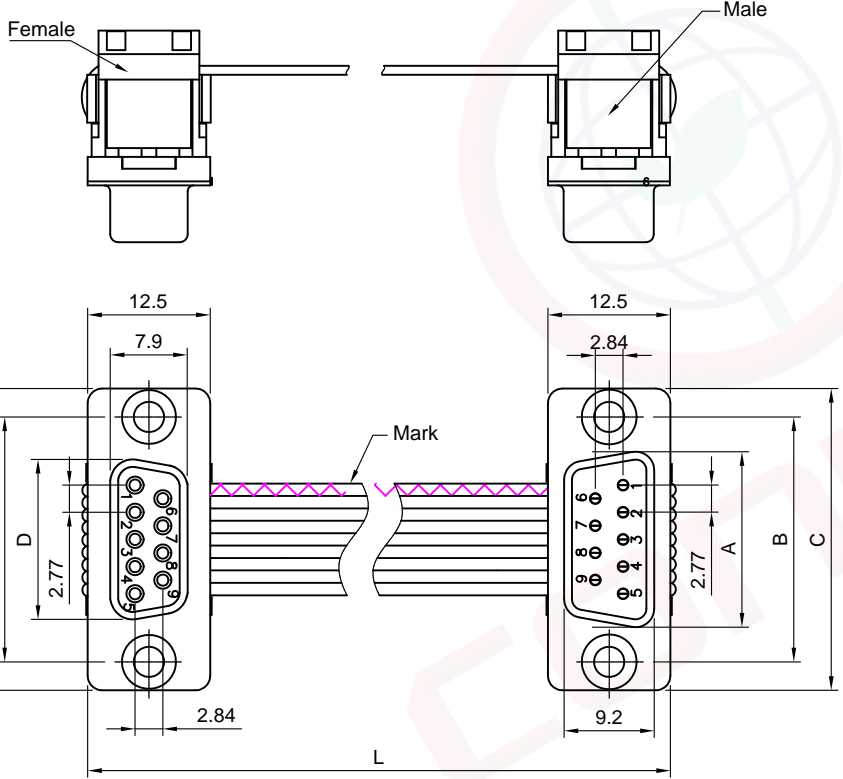
Dept	Qty
DC	1
ED	1
IE	1
ISO	1
PD	1
R&D	1
SD	1
QA	1
QC	1
QE	1

Dimension

Position	A	B	C	D
09	17.90	24.99	30.80	16.33
15	26.50	33.32	39.14	24.66
25	40.00	47.04	53.04	38.38
37	56.50	63.50	69.32	54.84

REV.	DESCRIPTION	DRAWN	CHECKED	APPROVED
A	NEW RELEASE	YCH 12/29/09'	~	
D	DRAWING UPDATE	JLZ 06/11/22'	~	

The information provided herein is from CONNELY Electronic Co., Ltd. and is confidential. Any disclosure to a party other than the recipient is prohibited. The intellectual properties and its rights contained herein, including but not limited to, trademarks, patents, copyrights, trade secrets, and technical know-how, are owned exclusively by CONNELY or its affiliates. Unauthorized use or reproduction of any part of this document is strictly prohibited. CONNELY may enforce its intellectual property rights at its own discretion, failures or delays to exercise such rights does not constitute a waiver of such rights. Its use in any format or manner. CONNELY may enforce its intellectual property rights at its own discretion, failures or delays to exercise such rights does not constitute a waiver of such rights.



(Series Image-Reference Only)

NOTES:

- Material
  - Insulator: Thermoplastic(UL94 V-0)
  - Contact: Copper Alloy
  - Shell: Steel
- Specifications
  - Storage Temperature: -20~+80°C
  - Insulation Resistance: 1,000MΩ min
  - Dielectric Withstanding Voltage: AC500V Per Minute
- Product number code:

DS1054 - X X X X X X X X

- Cable Style
  - 3: Type 3
- Length Dim L
  - 0150: 150mm
  - 0500: 500mm
  - 0100: 100mm
  - 0400: 400mm
  - 1500: 1500mm
- Wire Diameter
  - 1:∅.100 Folwer mark
  - 2:∅.127 Red mark
  - 3:∅.100 Red mark
  - 4:∅.127 Folwer mark
- Flat Cable Color
  - A:Gray
- Rivet type
  - P:W/ Thread(UNC #4-40)
  - N:W/O Thread
- Contact plating
  - 0: Nickel + Gold flash
- Shell plating
  - N:Nickel
- Housing color
  - B:Black
  - L:Blue
- Connector positions
  - 09: 9Pin 15: 15pin
  - 25: 25pin 37: 37pin

GENERAL TOLERANCE		ANGLE TOLERANCE		PROJECTION		TITLE	IDC D-SUB With Flat Cable	
X.	±0.60	X.	±5°	UNITS	mm			
.X	±0.38	.X	±3°	SHEET SIZE	A4	SERIES	DS1054 SERIES	
.XX	±0.25	.XX	±2°	<b>晨翔电子有限公司</b> <b>CONNELY ELECTRONIC CO., LTD</b>				
DRAWING TYPE		CUSTOMER						
SCALE	1:1	SHEET	1 OF 1					
DRAWING NO.		C-DS1054-XXXXXX3-D						