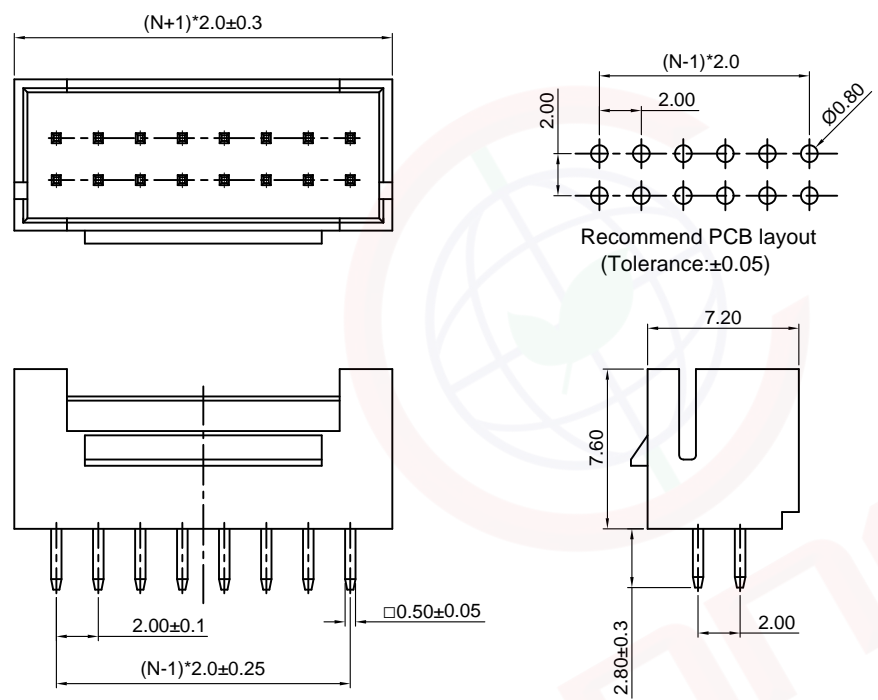


Dept	
Qty	
DC	1
ED	1
IE	1
ISO	1
PD	1
R&D	1
SD	1
QA	1
QC	1
QF	1

The information provided herein is from CONNELY Electronic Co., Ltd. and is confidential. Any disclosure to a party other than the recipient is prohibited. The intellectual properties and its rights contained herein, including but not limited to, trademarks, patents, copyrights, trade secrets, and technical know-how, are owned exclusively by CONNELY or its affiliates. Unauthorized use or reproduction of any part of this document is strictly prohibited. CONNELY may enforce its intellectual property rights at its own discretion, failures or delays to exercise such rights does not constitute a waiver of such rights.



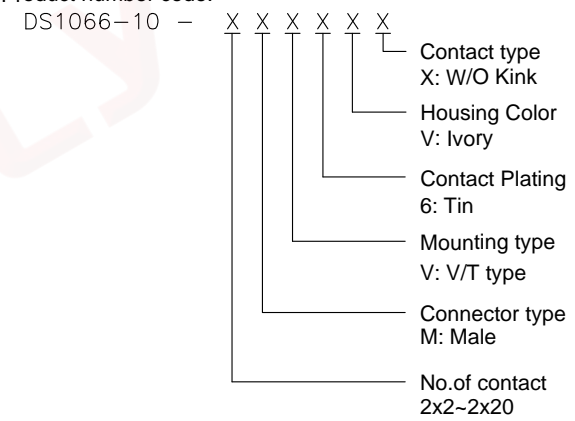
(Series Image-Reference Only)

REV.	DESCRIPTION	DRAWN	CHECKED	APPROVED
A	NEW RELEASE	JLZ 07/27/16'	HZW 07/27/16'	LJC 07/27/16'
B	DRAWING UPDATE	JLZ 08/09/18'		
C	DRAWING UPDATE	JLZ 07/29/22'		

NOTES:

- Main specifications
 - Housing material: Nylon 66
 - Contact material: Copper Alloy
 - Rated voltage: 125V
 - Rated current: 2.0A
 - Contact resistance: 30mΩ Max
 - Insulation resistance: 1000MΩ Min
 - Withstanding voltage: 500V, AC 1 minute
 - Temperature range: -25 ~ +85°C
 - Recommend PC board thickness: 1.6mm

2. Product number code:

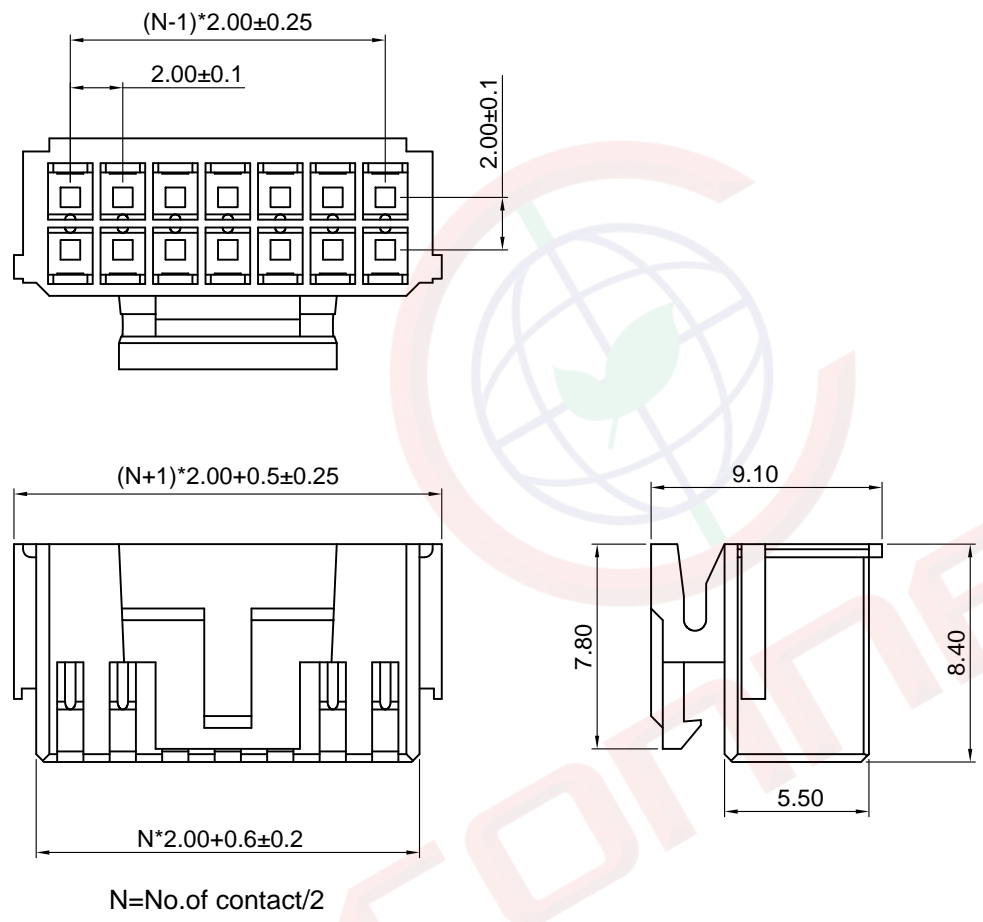


GENERAL TOLERANCE		ANGLE TOLERANCE		PROJECTION		TITLE	
X.	±0.60	X.	±5°	UNITS	mm	2.0mm Wafer PHB V/T TYPE	
.X	±0.38	.X	±3°	SHEET SIZE	A4	SERIES	DS1066-10 SERIES
.XX	±0.25	.XX	±2°	晨翔电子有限公司 CONNELY ELECTRONIC CO., LTD			
DRAWING TYPE		CUSTOMER					
SCALE	1:1	SHEET	1 OF 3				
DRAWING NO.		C-DS1066-10-XXXXXX-C					

Dept	
Qty	
DC	1
ED	1
IE	1
ISO	1
PD	1
R&D	1
SD	1
QA	1
QC	1
QE	1

The information provided herein is from CONNELY Electronic Co., Ltd. and is confidential. Any disclosure to a party other than the recipient is prohibited. The intellectual properties and its rights contained herein, including but not limited to, trademarks, patents, copyrights, trade secrets, and technical know-how, are owned exclusively by CONNELY or its affiliates. Unauthorized use or reproduction of any part of this document is strictly prohibited. CONNELY may enforce its intellectual property rights at its own discretion, failures or delays to exercise such rights does not constitute a waiver of such rights.

REV.	DESCRIPTION	DRAWN	CHECKED	APPROVED
A	NEW RELEASE	JLZ 07/27/16'	HZW 07/27/16'	LJC 07/27/16'
B	DRAWING UPDATE	JLZ 08/09/18'		

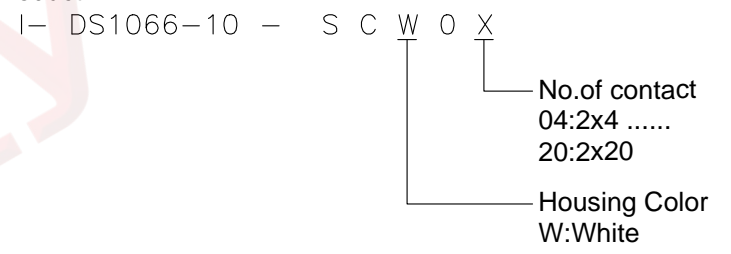


(Series Image-Reference Only)

NOTES:

1. Main specifications
 - . Contact material: Copper Alloy
 - . Rated voltage: 125V
 - . Rated current: 2.0A
 - . Contact resistance: 30mΩ Max
 - . Insulation resistance: 1000MΩ Min
 - . Withstanding voltage: 500V,AC 1 minute
 - . Temperature range: -25 ~ +85°C

2. Product number code:

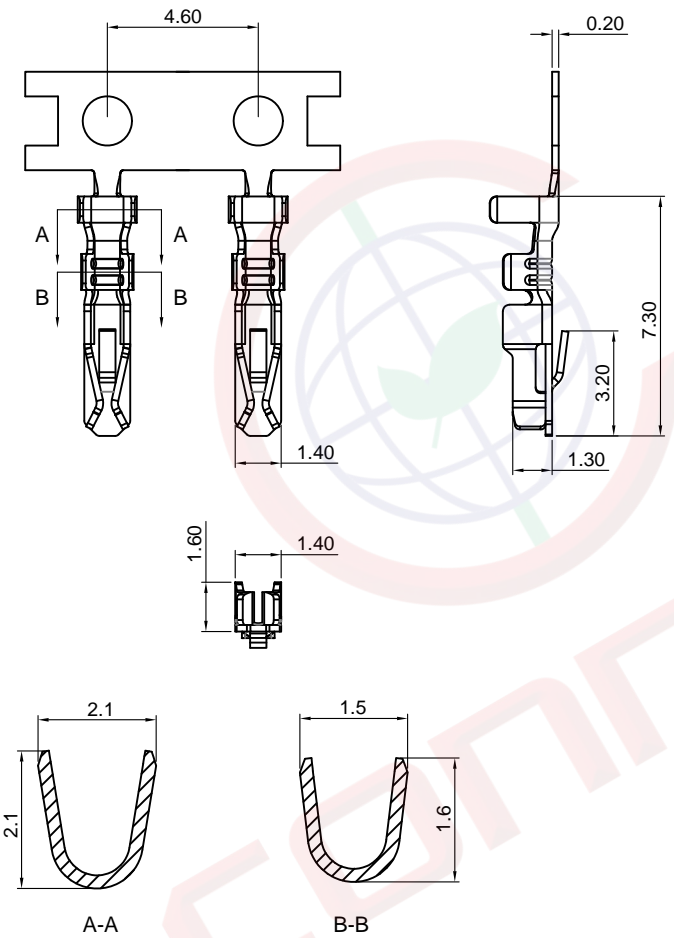


GENERAL TOLERANCE		ANGLE TOLERANCE		PROJECTION		TITLE	2.0mm Housing PHB TYPE	
X.	±0.60	X.	±5°	UNITS	mm	SERIES	DS1066-10 SERIES	
.X	±0.38	.X	±3°	SHEET SIZE	A4			
.XX	±0.25	.XX	±2°					
DRAWING TYPE		CUSTOMER		晨翔电子有限公司 CONNELY CONNELY ELECTRONIC CO. LTD				
SCALE		1:1						
DRAWING NO.		C-DS1066-10-XXXXXX-B						
		SHEET	2 OF 3					

Dept	Qty
DC	1
ED	1
IE	1
ISO	1
PD	1
R&D	1
SD	1
QA	1
QC	1
QE	1

The information provided herein is from CONNELY Electronic Co., Ltd. and is confidential. Any disclosure to a party other than the recipient is prohibited. The intellectual properties and its rights contained herein, including but not limited to, trademarks, patents, copyrights, trade secrets, and technical know-how, are owned exclusively by CONNELY or its affiliates. Unauthorized use or reproduction of this information in any form or by any means, including electronic, mechanical, photocopying, recording, or by any information storage and retrieval system, without the prior written permission of CONNELY is strictly prohibited. CONNELY may enforce its intellectual property rights at its own discretion, failures or delays to exercise such rights does not constitute a waiver of such rights.

REV.	DESCRIPTION	DRAWN	CHECKED	APPROVED
A	NEW RELEASE	JLZ 07/27/16'	HZW 07/27/16'	LJC 07/27/16'
B	DRAWING UPDATE	JLZ 08/09/18'		



NOTES:

- Main specifications
 - Housing material: Copper Alloy
 - Rated voltage: 125V
 - Rated current: 2.0A
 - Contact resistance: 30mΩ Max
 - Insulation resistance: 1000MΩ Min
 - Withstanding voltage: 500V, AC 1 minute
 - Temperature range: -25 ~ +85°C

2. Product number code:

T- DS1066-10 - S C 6 0 0

Plating type
6: Tin



(Series Image-Reference Only)

GENERAL TOLERANCE		ANGLE TOLERANCE	
X.	±0.60	X.	±5°
.X	±0.38	.X	±3°
.XX	±0.25	.XX	±2°
DRAWING TYPE		CUSTOMER	
SCALE	1:1	SHEET	3 OF 3
DRAWING NO.	C-DS1066-10-XXXXXX-B		

PROJECTION		TITLE	2.0mm Terminal PHB TYPE	
UNITS	mm			
SHEET SIZE	A4	SERIES	DS1066-10 SERIES	

晨翔电子有限公司
CONNFLY CONNELY ELECTRONIC CO. LTD