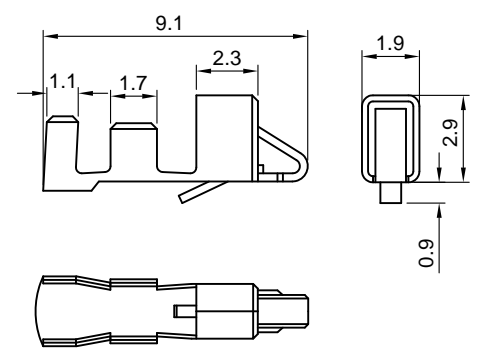


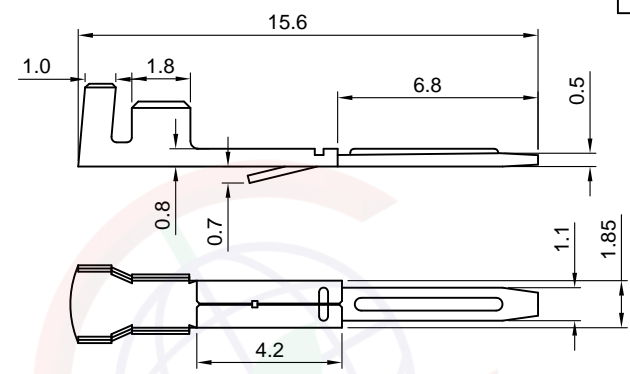
The information provided herein is from CONNELY Electronic Co., Ltd. and is confidential. Any disclosure to a party other than the recipient is prohibited. The intellectual properties and its rights contained herein, including but not limited to, trademarks, patents, copyrights, trade secrets, and technical know-how, are owned exclusively by CONNELY or its affiliates. Unauthorized use or reproduction of any part of this document, in any form or by any means, without the prior written permission of CONNELY is strictly prohibited. CONNELY may enforce its intellectual property rights at its own discretion, failures or delays to exercise such rights does not constitute a waiver of such rights.

REV.	DESCRIPTION	DRAWN	CHECKED	APPROVED
A	NEW RELEASE	LL 07/05/06'		LJC 07/05/06'
B	P/N CODE CHANGE	JLZ 03/03/15'	HZW 03/03/15'	LJC 03/03/15'
C	DRAWING UPDATE	JLZ 08/07/19'		
D	DRAWING UPDATE	JLZ 05/06/23'		

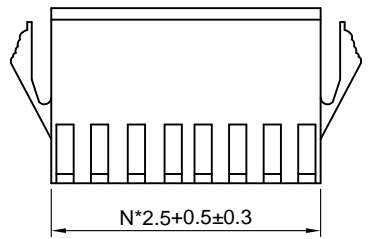
Female Terminal



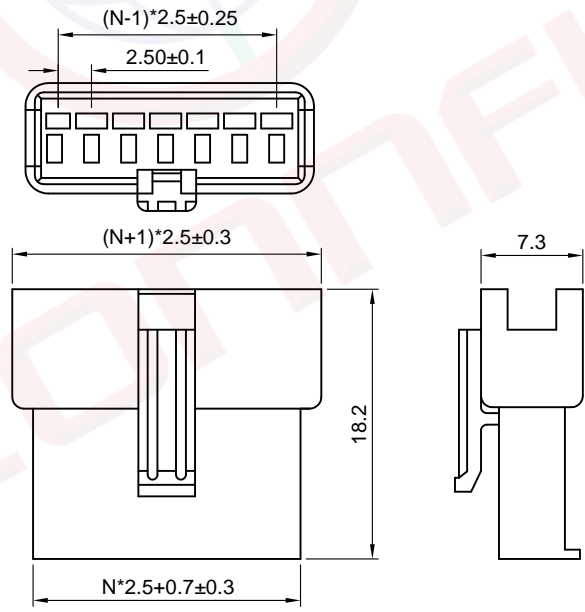
Male Terminal



Female Housing

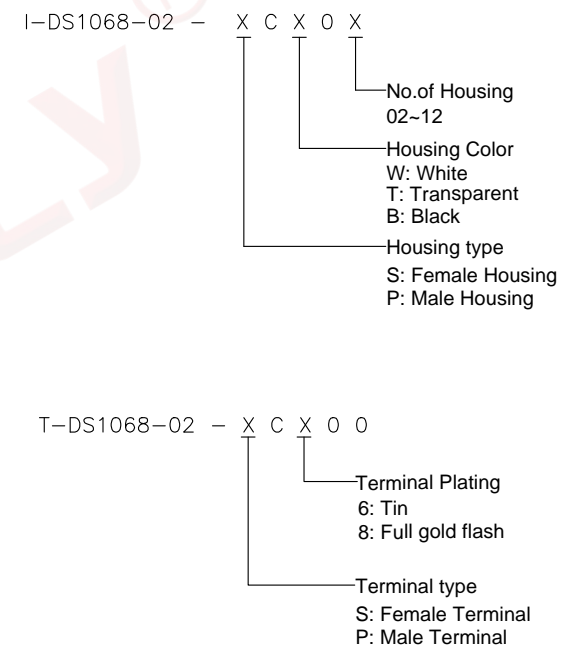


Male Housing



NOTES:

- Specifications
 - Housing material: Nylon 66
 - Wire range: AWG#28-#22
 - Rated voltage: 250V
 - Rated current: 3A
 - Contact resistance: 30mΩ Max
 - Insulation resistance: 1000MΩ Min
 - Withstanding voltage: 500V, AC 1 minute
 - Temperature range: -25 ~ +85°C
- Product number code:



(Series Image-Reference Only)

GENERAL TOLERANCE		ANGLE TOLERANCE	
X.	±0.60	X.	±5°
.X	±0.38	.X	±3°
.XX	±0.25	.XX	±2°

DRAWING TYPE	CUSTOMER		
SCALE	1:1	SHEET	1 OF 1
DRAWING NO.	C-DS1068-02-XXXXX-D		

PROJECTION		TITLE	P.C.B CONNECTOR 2.5mm SM TYPE	
UNITS	mm	SERIES	DS1068-02 SERIES	

晨翔电子有限公司
CONNFLY ELECTRONIC CO. LTD