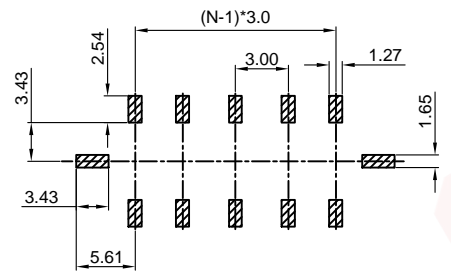
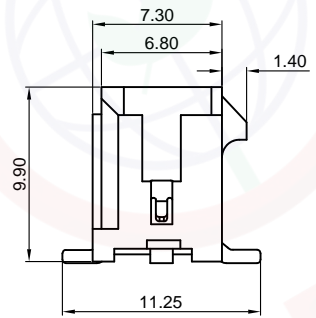
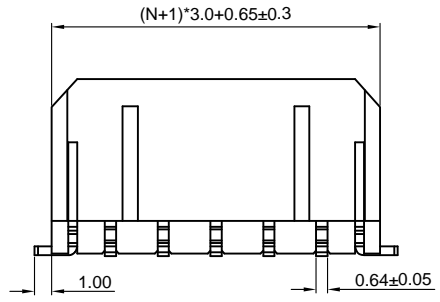
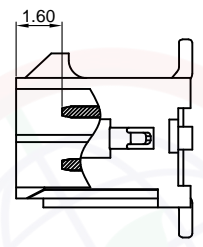
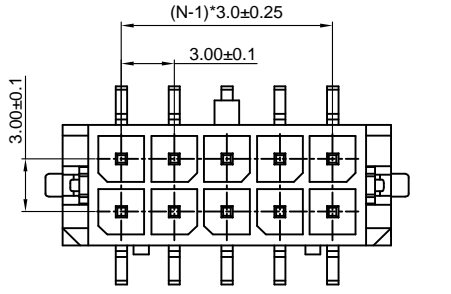


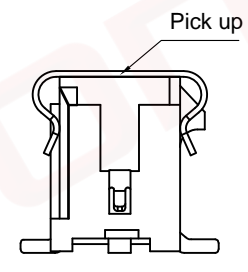
The information provided herein is from CONNELY Electronic Co., Ltd. and is confidential. Any disclosure to a party other than the recipient is prohibited. The intellectual properties and its rights contained herein, including but not limited to, trademarks, patents, copyrights, trade secrets, and technical know-how, are owned exclusively by CONNELY or its affiliates. Unauthorized use or reproduction of any part of this document is strictly prohibited. CONNELY may enforce its intellectual property rights at its own discretion, failures or delays to exercise such rights does not constitute a waiver of such rights.

Dept	Qty
DC	1
ED	1
IE	1
ISO	1
PD	1
R&D	1
SD	1
QA	1
QC	1
QF	1

N=No.of contact/2



Recommend PCB layout



For only tape on reel



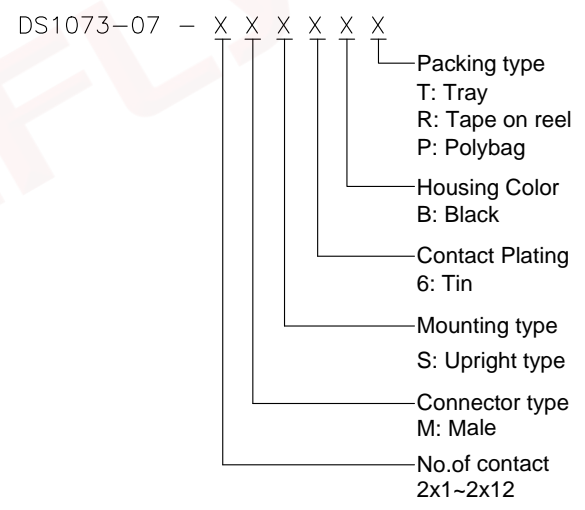
(Series Image-Reference Only)

REV.	DESCRIPTION	DRAWN	CHECKED	APPROVED
A	NEW RELEASE	JLZ 03/11/16'	HZW 03/11/16'	LJC 03/11/16'
B	DRAWING UPDATE	JLZ 03/05/20'		

NOTES:

- Main specifications
  - Housing material: LCP
  - Rated voltage: 250V
  - Rated current: 3A
  - Contact resistance: 30mΩ max
  - Insulation resistance: 1000MΩ min
  - Withstanding voltage: 1000V, AC 1 minute
  - Temperature range: -25°C ~ +85°C

2. Product number code:

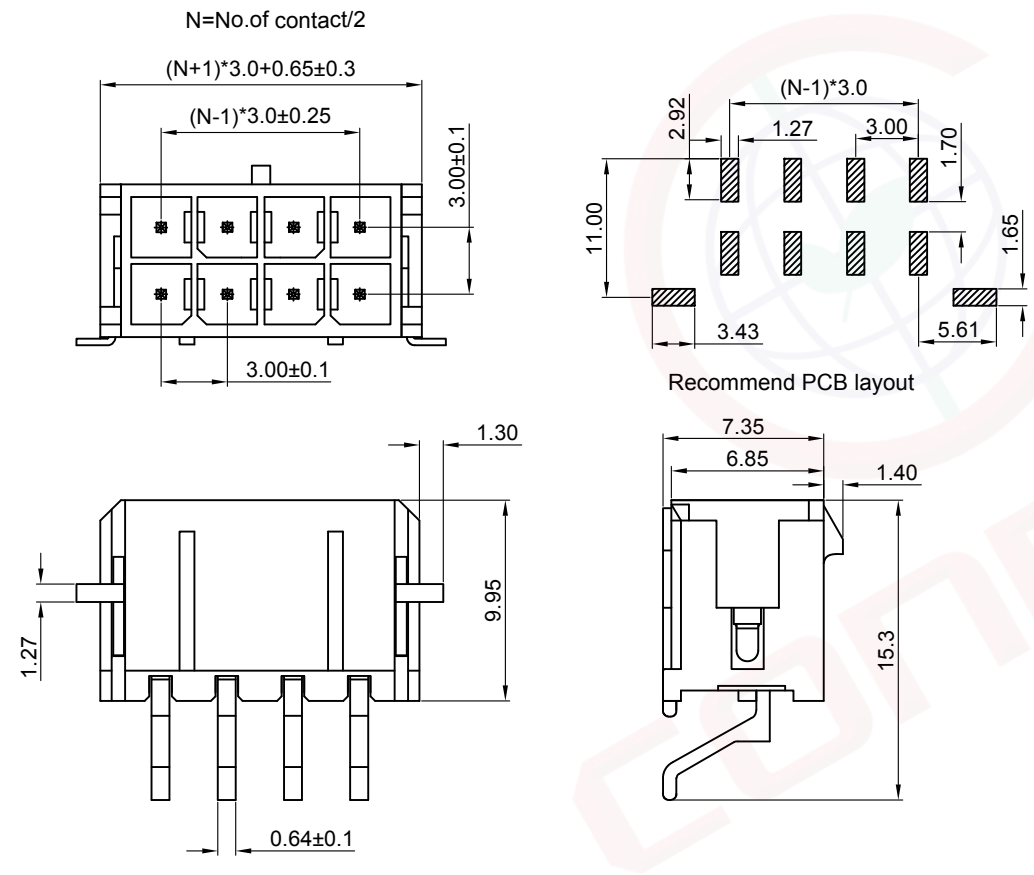


GENERAL TOLERANCE		ANGLE TOLERANCE		PROJECTION		TITLE	3.0mm Micro ATX Connector
X.	±0.60	X.	±5°	UNITS	mm		Upright SMT Type
.X	±0.38	.X	±3°	SHEET SIZE	A4	SERIES	DS1073-07 SERIES
.XX	±0.25	.XX	±2°	<b>晨翔电子有限公司</b> CONNELY ELECTRONIC CO., LTD			
DRAWING TYPE		CUSTOMER					
SCALE	1:1	SHEET	1 OF 2				
DRAWING NO.		C-DS1073-07-XXXXX-B					

Dept	
Qty	
DC	1
ED	1
IE	1
ISO	1
PD	1
R&D	1
SD	1
QA	1
QC	1
QE	1

The information provided herein is from CONNELY Electronic Co., Ltd. and is confidential. Any disclosure to a party other than the recipient is prohibited. The intellectual properties and its rights contained herein, including but not limited to, trademarks, patents, copyrights, trade secrets, and technical know-how, are owned exclusively by CONNELY or its affiliates. Unauthorized use or reproduction of any part of this document is strictly prohibited. CONNELY may enforce its intellectual property rights at its own discretion, failures or delays to exercise such rights does not constitute a waiver of such rights.

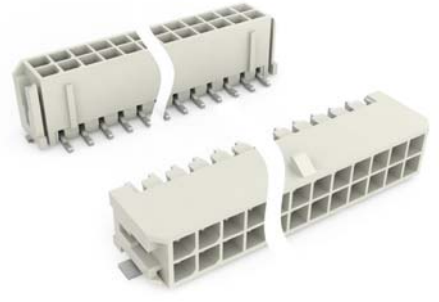
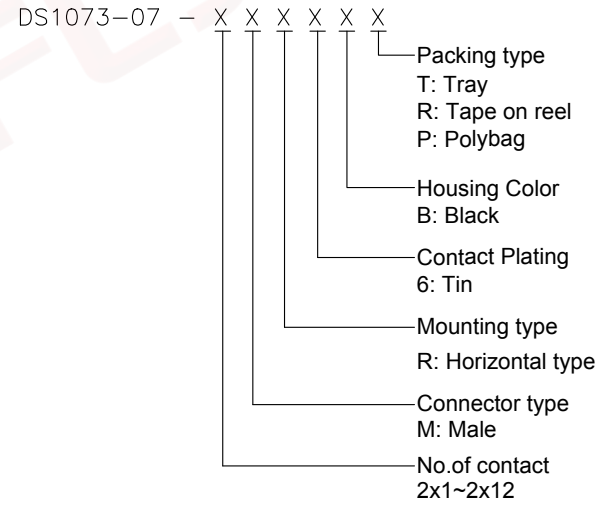
REV.	DESCRIPTION	DRAWN	CHECKED	APPROVED
A	NEW RELEASE	JLZ 03/11/16'	HZW 03/11/16'	LJC 03/11/16'
B	DRAWING UPDATE	JLZ 03/05/20'		



NOTES:

- Main specifications
  - Housing material: LCP
  - Rated voltage: 250V
  - Rated current: 3A
  - Contact resistance: 30mΩ max
  - Insulation resistance: 1000MΩ min
  - Withstanding voltage: 1000V, AC 1 minute
  - Temperature range: -25°C ~ +85°C

2. Product number code:



(Series Image-Reference Only)

GENERAL TOLERANCE		ANGLE TOLERANCE		PROJECTION		TITLE	3.0mm Micro ATX Connector	
X.	±0.60	X.	±5°	UNITS	mm	Horizontal SMT Type		
.X	±0.38	.X	±3°	SHEET SIZE	A4	SERIES	DS1073-07 SERIES	
.XX	±0.25	.XX	±2°	<b>晨翔电子有限公司</b> <b>CONNFLY ELECTRONIC CO. LTD</b>				
DRAWING TYPE		CUSTOMER						
SCALE	1:1	SHEET	2 OF 2					
DRAWING NO.		C-DS1073-07-XXXXX-B						