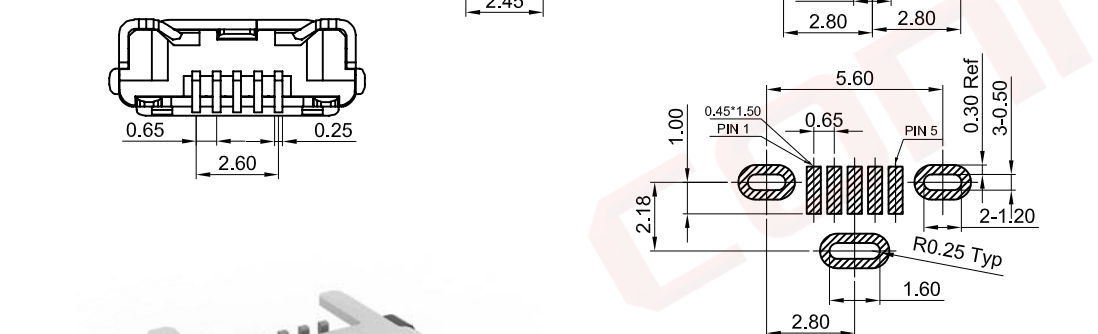
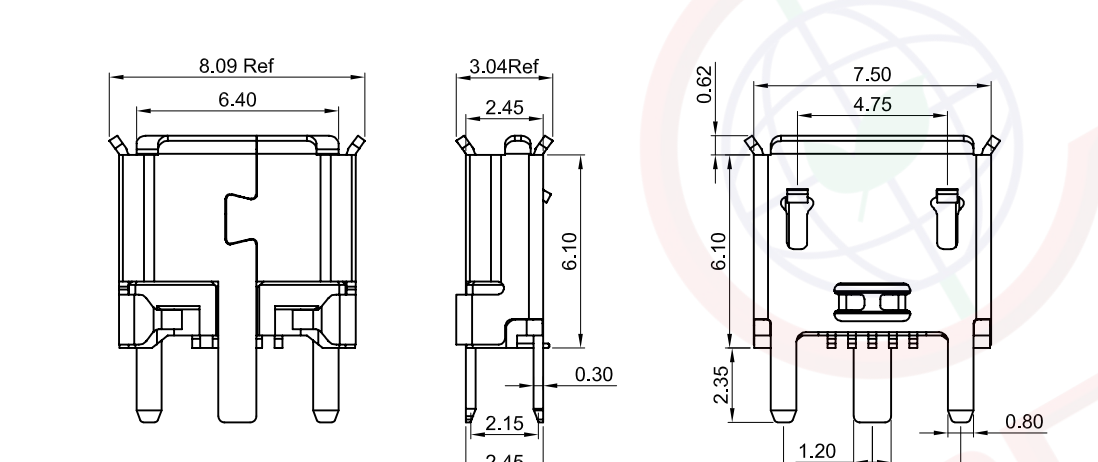
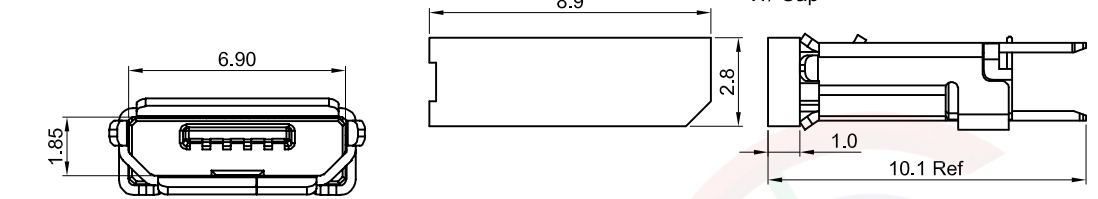


The information provided herein is from CONNELY Electronic Co., Ltd. and is confidential. Any disclosure to a party other than the recipient is prohibited. The intellectual properties and its rights contained herein, including but not limited to, trademarks, patents, copyrights, trade secrets, and technical know-how, are owned exclusively by CONNELY or its affiliates. Unauthorized use of this information in any format or manner. CONNELY may enforce its intellectual property rights at its own discretion; failures or delays to exercise such rights does not constitute a waiver of such rights.

1 2 3 4 5 6 7 8

REV.	DESCRIPTION	DRAWN	CHECKED	APPROVED
A	NEW RELEASE	JLZ 03/22/18'		
B	DRAWING UPDATE	JLZ 04/23/22'		
C	DRAWING UPDATE	JLZ 11/16/24'		



(Series Image-Reference Only)

Recommend PCB layout
(Tolerance:±0.05)

Notes:

Specifications:

- Contact Resistance: 30mΩ Max.
- Insulation Resistance: 100MΩ Min.
- Dielectric Withstanding Voltage: 100V AC(rms) For 1 Minute.
- Current Rating:1A Max
- Voltage Rating:30V Max
- Temperature: -30°C~+80°C.

Materials:

- Contact Material: Copper Alloy.
- Shell Material: Stainless Steel.
- Insulator Material: Thermoplastic,Black.

Mechanical Characteristics:

- Mating Force:3.57Kgf Maximum.
- Unmating Force:1.02Kgf Minimum.
- Durability:3000 Cycles

Product Number Code:

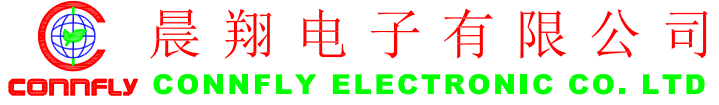
DS1105-11 - X X X X X X X X

- Pick up support:
S: W/ Pick up
- Packing type:
R: Tape on reel
- Shell Plated:
N: Nickel
- Color of housing:
B: Black
- Contact plated:
8: Full gold flash
- Mounting type:
S: SMT type
- Connector type:
S: Socket
- No. of contacts:
05: 5Pin

GENERAL TOLERANCE	ANGLE TOLERANCE
X. ±0.60	X. ±5°
.X ±0.38	.X ±3°
.XX ±0.25	.XX ±2°

PROJECTION		TITLE	Micro USB B Type Female 5 Positions V/T SMT Type
UNITS	mm	SHEET SIZE	A4
SHEET SIZE	A4	SERIES	DS1105-11 SERIES

DRAWING TYPE	CUSTOMER
SCALE	1:1 SHEET 1 OF 1
DRAWING NO.	C-DS1105-11-XXXXXXX-C



1 2 3 4 5 6 7 8