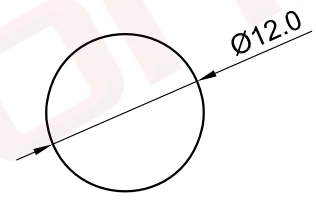
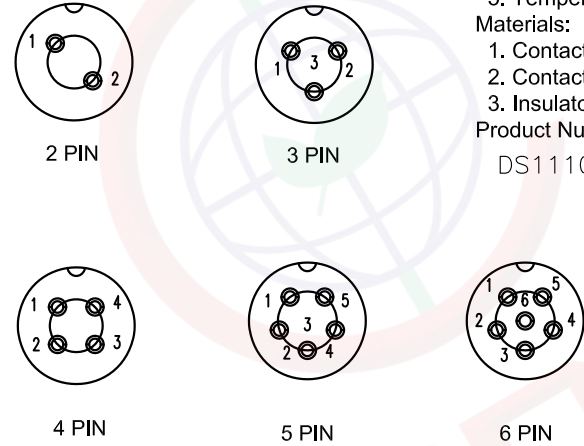
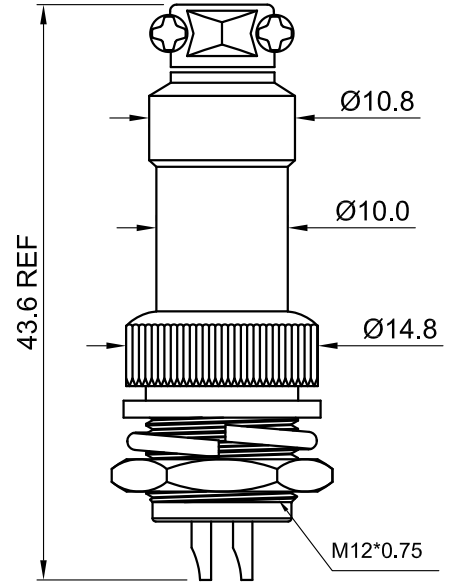


The information provided herein is from CONNELY Electronic Co., Ltd. and is confidential. Any disclosure to a party other than the recipient is prohibited. The intellectual properties and its rights contained herein, including but not limited to, trademarks, patents, copyrights, trade secrets, and technical know-how, are owned exclusively by CONNELY or its affiliates. Unauthorized use of this information in any format or manner. CONNELY may enforce its intellectual property rights at its own discretion; failures or delays to exercise such rights does not constitute a waiver of such rights.

1 2 3 4 5 6 7 8

REV.	DESCRIPTION	DRAWN	CHECKED	APPROVED
A	NEW RELEASE	LL 07/18/06'		LJC 07/18/06'
B	DRAWING UPDATE	JLZ 06/13/16'	HZW 06/13/16'	LJC 06/13/16'
C	ADD PLATING TYPE	JLZ 06/28/18'		
D	DRAWING UPDATE	JLZ 12/28/23'		



Notes:

- Specifications:
- Contact Resistance: 5mΩ Max.
  - Insulation Resistance: 500MΩ Min.
  - Dielectric Withstanding Voltage: 1000V AC(rms) For 1 Minute.
  - Current Rating:5A.
  - Temperature: -40°C~+105°C.

- Materials:
- Contact Material: Copper Alloy.
  - Contact Plating: Silver Plating Over Nickel.
  - Insulator Material: Plastic,Black.

Product Number Code:

DS1110-01 - X X X

- Contact plating: 6: Silver, 8: Gold flash
- Color of housing: B: Black
- No. of contacts: 2: 2pin, 3: 3pin, 4: 4pin, 5: 5pin, 6: 6pin



(Series Image-Reference Only)

GENERAL TOLERANCE		ANGLE TOLERANCE		PROJECTION	TITLE
X.	±0.60	X.	±5°		MICRO JACK CONNECTOR
.X	±0.38	.X	±3°	mm	
.XX	±0.25	.XX	±2°	A4	SERIES DS1110-01 SERIES
DRAWING TYPE		CUSTOMER		晨翔电子有限公司 <b>CONNELY CONNELY ELECTRONIC CO. LTD</b>	
SCALE		1:1	SHEET 1 OF 3		
DRAWING NO.		C-DS1110-01-XXX-D			

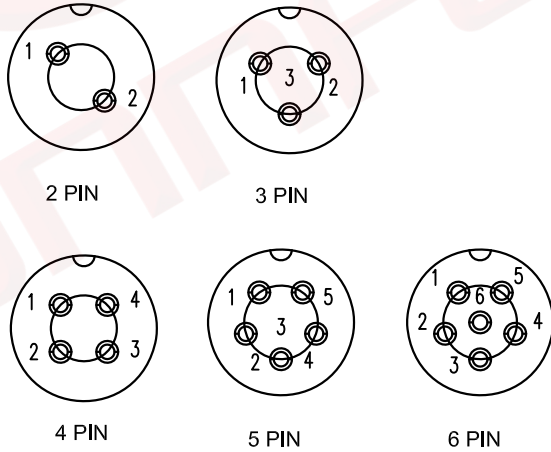
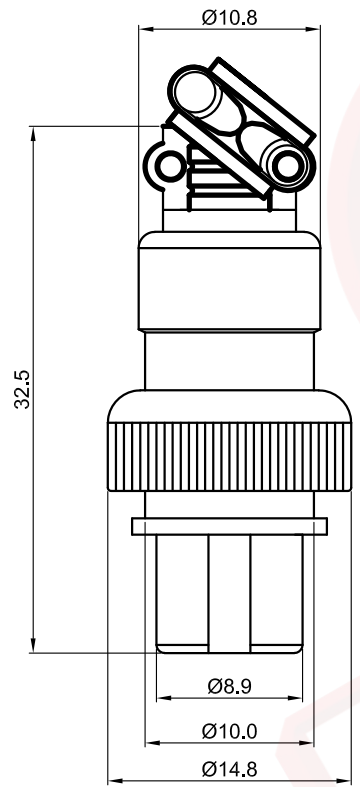
1 2 3 4 5 6 7 8

The information provided herein is from CONNELY Electronic Co., Ltd. and is confidential. Any disclosure to a party other than the recipient is prohibited. The intellectual properties and its rights contained herein, including but not limited to, trademarks, patents, copyrights, trade secrets, and technical know-how, are owned exclusively by CONNELY or its affiliates. Unauthorized use of this information in any format or manner. CONNELY may enforce its intellectual property rights at its own discretion; failures or delays to exercise such rights does not constitute a waiver of such rights.

1 2 3 4 5 6 7 8

REV.	DESCRIPTION	DRAWN	CHECKED	APPROVED
A	NEW RELEASE	JLZ 06/28/18'		
B	DRAWING UPDATE	JLZ 12/28/23'		

A Dept Qty  
 DC 1  
 ED 1  
 IE 1  
 ISO 1  
 PD 1  
 R&D 1  
 SD 1  
 B QA 1  
 QC 1  
 QF 1  
 C  
 D  
 E  
 F  
 G  
 H



Notes:

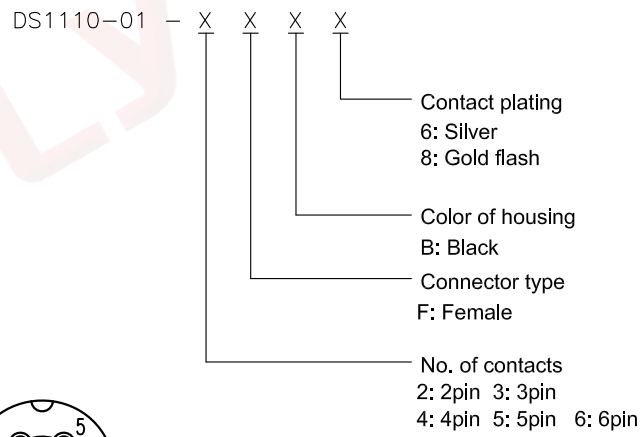
Specifications:

- Contact Resistance: 5mΩ Max.
- Insulation Resistance: 500MΩ Min.
- Dielectric Withstanding Voltage: 1000V AC(rms) For 1 Minute.
- Current Rating: 5A.
- Temperature: -40°C~+105°C.

Materials:

- Contact Material: Copper Alloy.
- Contact Plating: Silver Plating Over Nickel.
- Insulator Material: Plastic, Black.

Product Number Code:



GENERAL TOLERANCE		ANGLE TOLERANCE		PROJECTION	TITLE
X.	±0.60	X.	±5°		MICRO JACK CONNECTOR
.X	±0.38	.X	±3°	mm	
.XX	±0.25	.XX	±2°	A4	SERIES DS1110-01 SERIES
DRAWING TYPE		CUSTOMER		晨翔电子有限公司 <b>CONNELY CONNELY ELECTRONIC CO. LTD</b>	
SCALE		1:1	SHEET 2 OF 3		
DRAWING NO.		C-DS1110-01-XXXX-B			

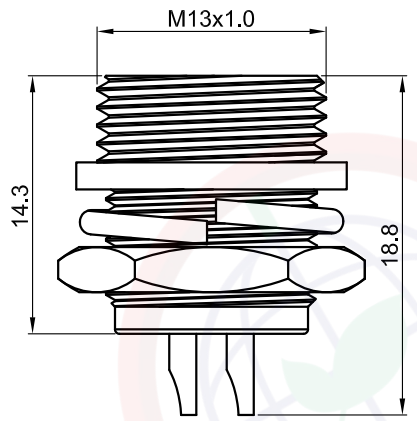
1 2 3 4 5 6 7 8

The information provided herein is from CONNELY Electronic Co., Ltd. and is confidential. Any disclosure to a party other than the recipient is prohibited. The intellectual properties and its rights contained herein, including but not limited to, trademarks, patents, copyrights, trade secrets, and technical know-how, are owned exclusively by CONNELY or its affiliates. Unauthorized use of this information in any format or manner. CONNELY may enforce its intellectual property rights at its own discretion; failures or delays to exercise such rights does not constitute a waiver of such rights.

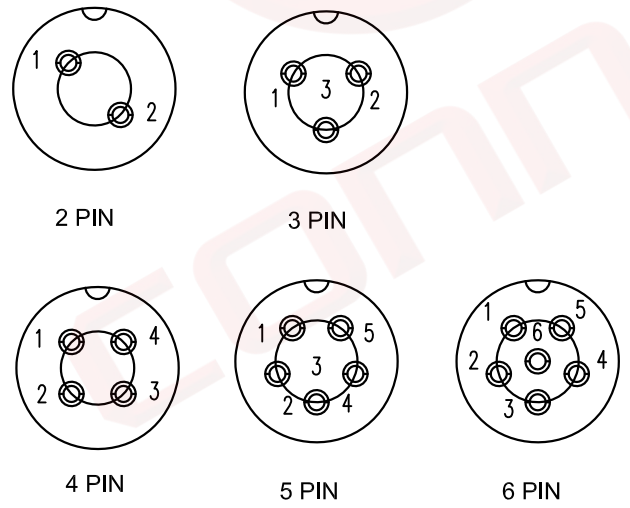
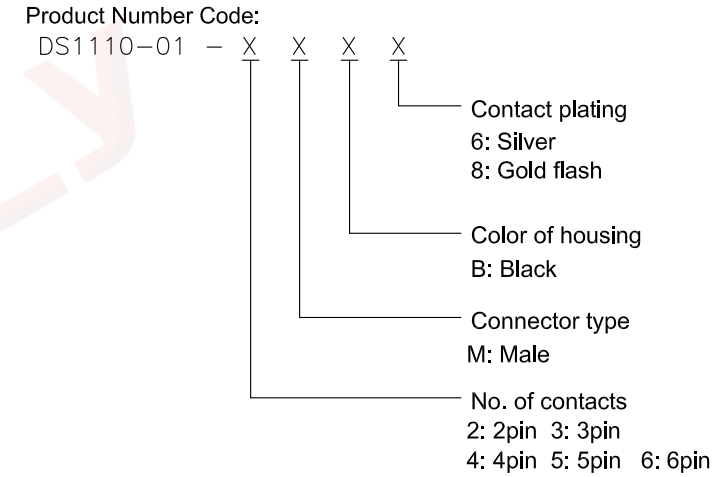
1                      2                      3                      4                      5                      6                      7                      8

Dept	
Qty	
DC	1
ED	1
IE	1
ISO	1
PD	1
R&D	1
SD	1
QA	1
QC	1
QE	1

REV.	DESCRIPTION	DRAWN	CHECKED	APPROVED
A	NEW RELEASE	JLZ 06/28/18'		
B	DRAWING UPDATE	JLZ 12/28/23'		



- Notes:
- Specifications:
1. Contact Resistance: 5mΩ Max.
  2. Insulation Resistance: 500MΩ Min.
  3. Dielectric Withstanding Voltage: 1000V AC(rms) For 1 Minute.
  4. Current Rating:5A.
  5. Temperature: -40°C~+105°C.
- Materials:
1. Contact Material: Copper Alloy.
  2. Contact Plating: Silver Plating Over Nickel.
  3. Insulator Material: Plastic,Black.



GENERAL TOLERANCE		ANGLE TOLERANCE		PROJECTION		TITLE	MICRO JACK CONNECTOR			
X.	±0.60	X.	±5°	UNITS	mm	SHEET SIZE	A4			
.X	±0.38	.X	±3°			SERIES	DS1110-01 SERIES			
.XX	±0.25	.XX	±2°							
DRAWING TYPE		CUSTOMER		晨翔电子有限公司 <b>CONNELY CONNELY ELECTRONIC CO. LTD</b>						
SCALE		1:1	SHEET						3 OF 3	
DRAWING NO.		C-DS1110-01-XXXX-B								

1                      2                      3                      4                      5                      6                      7                      8