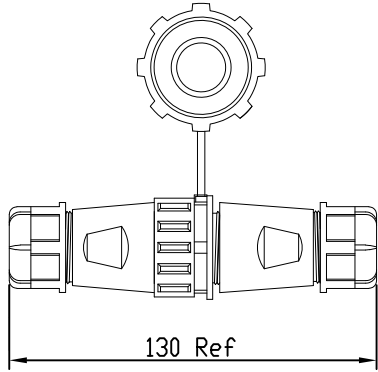


The information provided herein is from CONNFLY Electronic Co., Ltd. and is confidential. Any disclosure to a party other than the recipient is prohibited. The intellectual properties and its rights of CONNFLY Electronic Co., Ltd. are strictly protected. All intellectual properties provided herein are for reference purposes only and does not constitute authorization of its use in any format or manner. CONNFLY may enforce its intellectual property rights at its own discretion; failures or delays to exercise such rights does not constitute a waiver of such rights.

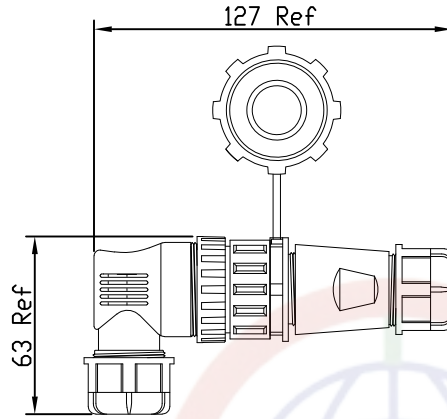
1 2 3 4 5 6 7 8

REV.	DESCRIPTION	DRAWN	CHECKED	APPROVED
A	NEW RELEASE	WPY 10/08/24'		

Assembly

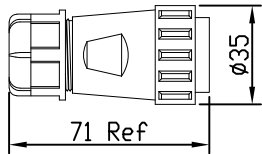


Assembly V/T type

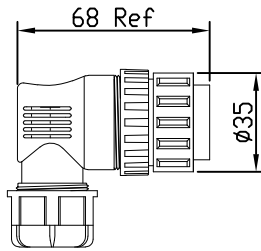


Assembly Right Angle

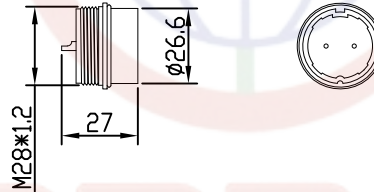
Male



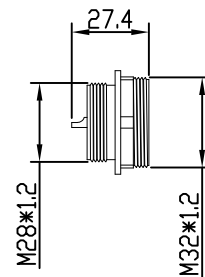
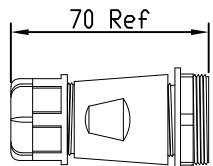
Male V/T type



Male Right Angle



Female



Suitable for $\phi 8-12$ $\phi 12-16$ wires

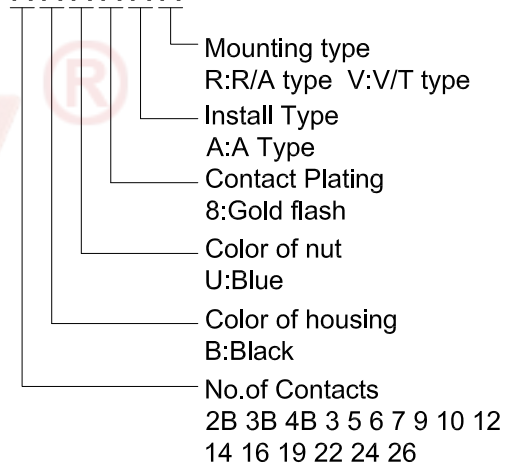
Note:

1. Rated voltage: 300V-500V
2. Rated current: 5A-45A
3. Insulation resistance: 2000M Ω
4. Withstand voltage: 1500V
5. Operating temperature: -30°C to +90°C
6. Wiring method: Welding

Materials:

1. Shell material: PA66
2. Insulation material: PPS
High temperature resistance 260°C
3. Contact material: Copper gold plating

Product Number Code:
DS1110-58-X X X X X X



GENERAL TOLERANCE		ANGLE TOLERANCE		PROJECTION	TITLE
X.	± 0.60	X.	$\pm 5^\circ$		$\phi 28$ waterproof aviation plug docking type
.X	± 0.38	.X	$\pm 3^\circ$	mm	
.XX	± 0.25	.XX	$\pm 2^\circ$	A4	DS1110-59 Series
DRAWING TYPE		CUSTOMER		晨翔电子有限公司 CONNFLY CONNFLY ELECTRONIC CO. LTD	
SCALE		SHEET			
DRAWING NO.		1 OF 5			
C-DS1110-59-XXXXXX-A					

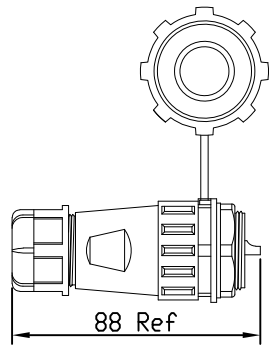
1 2 3 4 5 6 7 8

The information provided herein is from CONNFLY Electronic Co., Ltd. and is confidential. Any disclosure to a party other than the recipient is prohibited. The intellectual properties and its rights are reserved for CONNFLY Electronic Co., Ltd. All intellectual properties provided herein are for reference purposes only and does not constitute authorization of its use in any format or manner. CONNFLY may enforce its intellectual property rights at its own discretion; failures or delays to exercise such rights does not constitute a waiver of such rights.

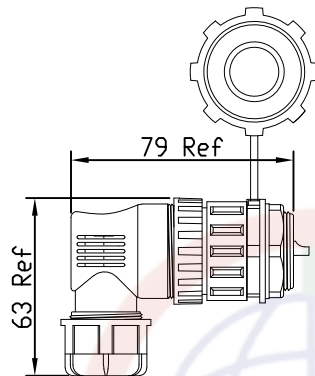
1 2 3 4 5 6 7 8

REV.	DESCRIPTION	DRAWN	CHECKED	APPROVED
A	NEW RELEASE	WPY 10/08/24'		

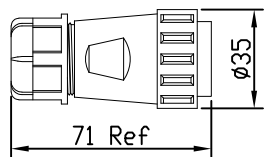
Assembly



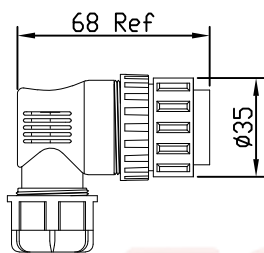
Assembly V/T type
Male



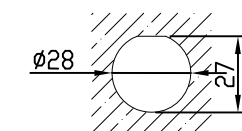
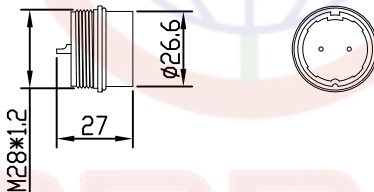
Assembly Right Angle



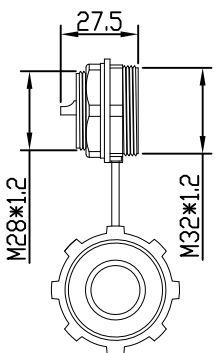
Male V/T type
Female



Male Right Angle



Suggested Panel Opening



Suitable for $\phi 8-12$ $\phi 12-16$ wires

Note:

1. Rated voltage: 300V-500V
2. Rated current: 5A-45A
3. Insulation resistance: 2000M Ω
4. Withstand voltage: 1500V
5. Operating temperature: -30°C to +90°C
6. Wiring method: Welding

Materials:

1. Shell material: PA66
2. Insulation material: PPS
High temperature resistance 260°C
3. Contact material: Copper gold plating

Product Number Code:
DS1110-58-X X X X X X

- Mounting type
R:R/A type V:V/T type
- Install Type
B:B Type
- Contact Plating
8:Gold flash
- Color of nut
U:Blue
- Color of housing
B:Black
- No. of Contacts
2B 3B 4B 3 5 6 7 9 10 12
14 16 19 22 24 26

GENERAL TOLERANCE		ANGLE TOLERANCE		PROJECTION	TITLE
X.	± 0.60	X.	$\pm 5^\circ$		$\phi 28$ waterproof aviation plug rear nut type
.X	± 0.38	.X	$\pm 3^\circ$	mm	
.XX	± 0.25	.XX	$\pm 2^\circ$	A4	SERIES DS1110-59 Series
DRAWING TYPE		CUSTOMER		晨翔电子有限公司 CONNFLY CONNFLY ELECTRONIC CO. LTD	
SCALE		1:1	SHEET 2 OF 5		
DRAWING NO.		C-DS1110-59-XXXXXX-A			

1 2 3 4 5 6 7 8

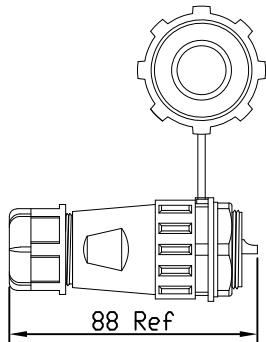
The information provided herein is from CONNFLY Electronic Co., Ltd. and is confidential. Any disclosure to a party other than the recipient is prohibited. The intellectual properties and its rights are reserved for CONNFLY Electronic Co., Ltd. All intellectual properties provided herein are for reference purposes only and does not constitute authorization of its use in any format or manner. CONNFLY may enforce its intellectual property rights at its own discretion; failures or delays to exercise such rights does not constitute a waiver of such rights.

1 2 3 4 5 6 7 8

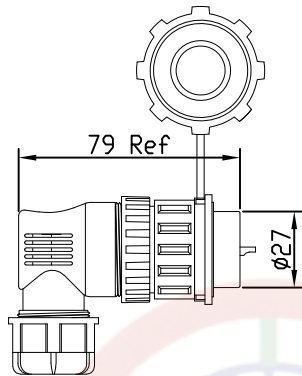
Dept	
Qty	
DC	1
ED	1
IE	1
ISO	1
PD	1
R&D	1
SD	1
QA	1
QC	1
QE	1

Assembly

REV.	DESCRIPTION	DRAWN	CHECKED	APPROVED
A	NEW RELEASE	WPY 10/08/24'		



Assembly V/T type



Assembly Right Angle

Suitable for $\phi 8-12$ $\phi 12-16$ wires

Note:

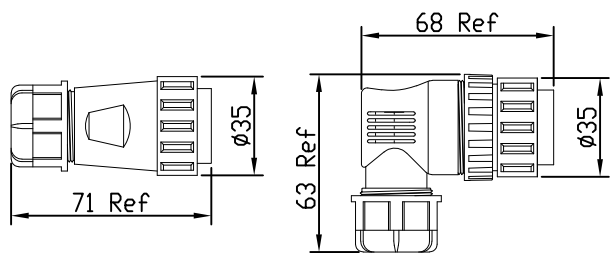
1. Rated voltage: 300V-500V
2. Rated current: 5A-45A
3. Insulation resistance: 2000M Ω
4. Withstand voltage: 1500V
5. Operating temperature: -30 $^{\circ}$ C to +90 $^{\circ}$ C
6. Wiring method: Welding

Materials:

1. Shell material: PA66
2. Insulation material: PPS
High temperature resistance 260 $^{\circ}$ C
3. Contact material: Copper gold plating

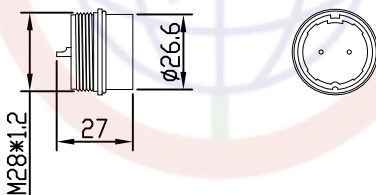
Product Number Code:
DS1110-58-X X X X X X

Male

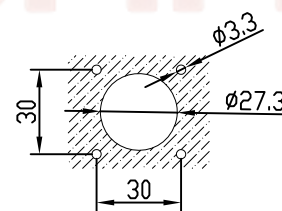
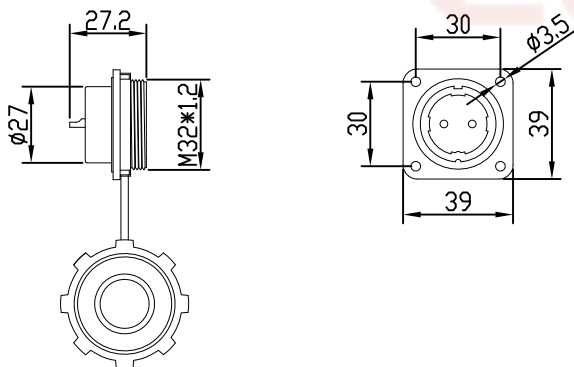


Male V/T type

Male Right Angle



Female



Suggested Panel Opening

- Mounting type
R:R/A type V:V/T type
- Install Type
C:C Type
- Contact Plating
8:Gold flash
- Color of nut
U:Blue
- Color of housing
B:Black
- No. of Contacts
2B 3B 4B 3 5 6 7 9 10 12
14 16 19 22 24 26

GENERAL TOLERANCE		ANGLE TOLERANCE	
.X	± 0.60	.X	$\pm 5^{\circ}$
.X	± 0.38	.X	$\pm 3^{\circ}$
.XX	± 0.25	.XX	$\pm 2^{\circ}$

PROJECTION		TITLE	$\phi 28$ waterproof aviation plug square disc type
UNITS	mm	SERIES	DS1110-59 Series
SHEET SIZE	A4		

DRAWING TYPE	CUSTOMER		
SCALE	1:1	SHEET	3 OF 5
DRAWING NO.	C-DS1110-59-XXXXXX-A		

晨翔电子有限公司
CONNFLY CONNFLY ELECTRONIC CO. LTD

1 2 3 4 5 6 7 8

Dept
Qty

DC 1
ED 1
IE 1
ISO 1
PD 1
R&D 1
SD 1
QA 1
QC 1
QE 1

The information provided herein is from CONNPLY Electronic Co., Ltd. and is confidential. Any disclosure to a party other than the recipient is prohibited. The intellectual properties and its rights of CONNPLY Electronic Co., Ltd. are strictly protected. All intellectual properties provided herein are for reference purposes only and does not constitute authorization of its use in any format or manner. CONNPLY may enforce its intellectual property rights at its own discretion; failures or delays to exercise such rights does not constitute a waiver of such rights.

REV.	DESCRIPTION	DRAWN	CHECKED	APPROVED
A	NEW RELEASE	WPY 10/08/24'		

Solder contact arrangement and spec

No.of Contacts	2B	3B	4B	3	5	6	7	9	10	12
Malc contact face view										
Rated current (A)	45A	45A	45A	25A	25A	25A	25A	10A	10A	10A
Contact diameter	Ø1.5×2	Ø1.5×3	Ø1×4	Ø2.8×3	Ø2.8×5	Ø2.8×6	Ø2.8×7	Ø1.8×9	Ø1.8×10	Ø1.8×12
Wiring method	Welding									
Woring Voltage (AC.V)	500V	500V	500V	400V	400V	400V	400V	400V	400V	400V
Testvoltage(AC.V)	1500V	1500V	1500V	1500V	1500V	1500V	1200V	1200V	1500V	1500V
Contact resistance(mΩ)	0.5mΩ	0.5mΩ	0.5mΩ	1mΩ	1mΩ	1mΩ	1mΩ	2.5mΩ	2.5mΩ	2.5mΩ
Wire Size (mm ² /AWG)	≤2/14	≤2/14	≤0.785/18	≤2/14	≤2/14	≤2/14	≤0.785/18	≤0.785/18	≤0.785/18	≤0.785/18

GENERAL TOLERANCE		ANGLE TOLERANCE	
X.	±0.60	X.	±5°
.X	±0.38	.X	±3°
.XX	±0.25	.XX	±2°
DRAWING TYPE		CUSTOMER	
SCALE	1:1	SHEET	4 OF 5
DRAWING NO.	C-DS1110-59-XXXXXX-A		

PROJECTION		TITLE	Ø28 Waterproof aviation plug solder series
UNITS	mm	SERIES	DS1110-58 Series
SHEET SIZE	A4		

晨翔电子有限公司
CONNPLY CONNPLY ELECTRONIC CO. LTD

Dept
Qty

DC 1
ED 1
IE 1
ISO 1
PD 1
R&D 1
SD 1
QA 1
QC 1
QE 1

The information provided herein is from CONNPLY Electronic Co., Ltd. and is confidential. Any disclosure to a party other than the recipient is prohibited. The intellectual properties and its rights of CONNPLY Electronic Co., Ltd. and its subsidiaries are strictly protected. All intellectual properties provided herein are for reference purposes only and does not constitute authorization of its use in any format or manner. CONNPLY may enforce its intellectual property rights at its own discretion; failures or delays to exercise such rights does not constitute a waiver of such rights.

REV.	DESCRIPTION	DRAWN	CHECKED	APPROVED
A	NEW RELEASE	WPY 10/08/24'		

Solder contact arrangement and spec

No.of Contacts	14	16	19	22	24	26
Male contact face view						
Rated current (A)	10A	10A	5A	5A	5A	5A
Contact diameter	Ø1.8×14	Ø1.8×16	Ø1×19	Ø1×22	Ø1×24	Ø1×26
Wiring method	Welding					
Working Voltage (AC.V)	400V	400V	300V	300V	300V	300V
Testvoltage (AC.V)	1500V	1500V	1500V	1500V	1500V	1500V
Contact resistance (mΩ)	2.5mΩ	2.5mΩ	5mΩ	5mΩ	5mΩ	5mΩ
Wire Size (mm ² /AWG)	≤2/14	≤2/14	≤0.785/18	≤0.785/18	≤0.785/18	≤0.785/18

GENERAL TOLERANCE		ANGLE TOLERANCE	
X.	±0.60	X.	±5°
.X	±0.38	.X	±3°
.XX	±0.25	.XX	±2°
DRAWING TYPE		CUSTOMER	
SCALE	1:1	SHEET	5 OF 5
DRAWING NO.	C-DS1110-59-XXXXXX-A		

PROJECTION		TITLE	Ø28 Waterproof aviation plug solder series
UNITS	mm	SERIES	DS1110-59 Series
SHEET SIZE	A4		

晨翔电子有限公司
CONNPLY CONNPLY ELECTRONIC CO. LTD