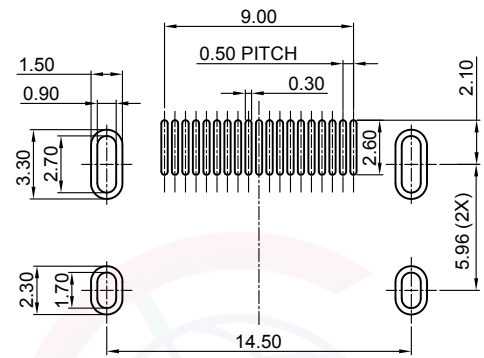
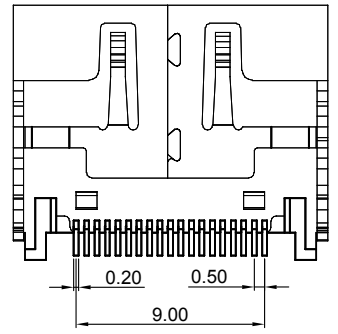
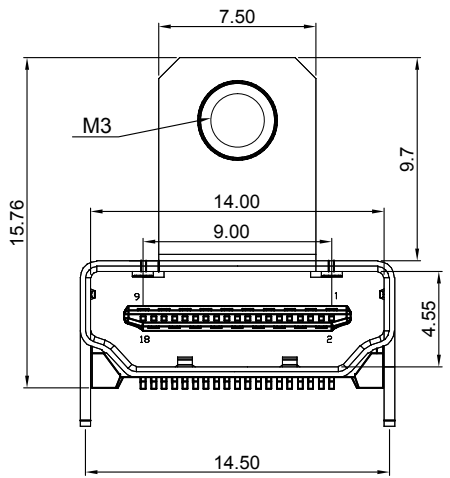
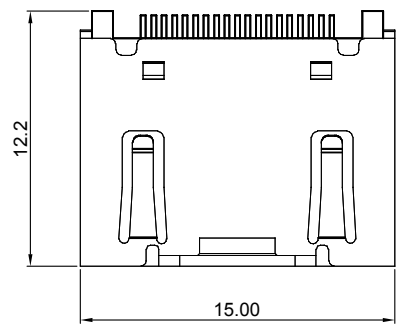
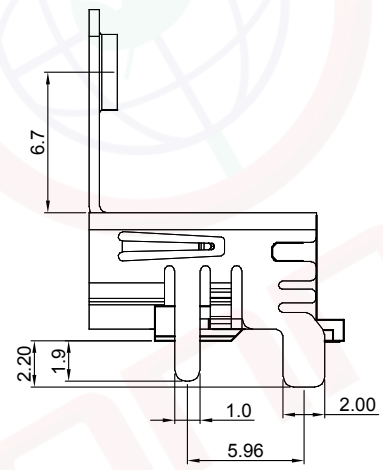


Dept	
Qty	
DC	1
ED	1
IE	1
ISO	1
PD	1
R&D	1
SD	1
QA	1
QC	1
QF	1

The information provided herein is from CONNELY Electronic Co., Ltd. and is confidential. Any disclosure to a party other than the recipient is prohibited. The intellectual properties and its rights contained herein, including but not limited to, trademarks, patents, copyrights, trade secrets, and technical know-how, are owned exclusively by CONNELY or its affiliates. Unauthorized use of the information herein, including but not limited to, reproduction, distribution, or disclosure to any third party, is strictly prohibited. CONNELY may enforce its intellectual property rights at its own discretion, failures or delays to exercise such rights does not constitute a waiver of such rights.



RECOMMEND P.C.B LAYORT
(Tolerance±0.05)



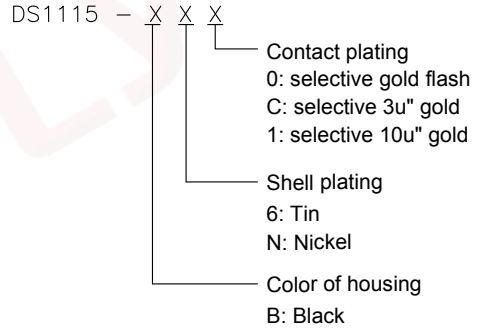
(Series Image-Reference Only)

REV.	DESCRIPTION	DRAWN	CHECKED	APPROVED
A	NEW RELEASE	HP 18/07/05		LJC 18/07/05
B	DRAWING UPDATE	JLZ 12/13/18'		
C	DRAWING UPDATE	JLZ 05/06/22'		

NOTES:

- Materials
 - Insulator: thermoplastic,UL 94V-0 Rated
 - Contacts: Copper Alloy
 - Shell: Copper Alloy
- Specification
 - Contact resistance: 50mΩ max.
 - Insulation resistance: 100MΩ min.
 - Dielectric withstanding voltage: 100 VAC 1 minute.
 - Temperature range: -20°C to +85°C.

3. Product number code:



GENERAL TOLERANCE		ANGLE TOLERANCE		PROJECTION		TITLE	
X.	±0.60	X.	±5°			HDMI Female 19PIN SMT WITH FLANGE	
.X	±0.38	.X	±3°	UNITS		mm	
.XX	±0.25	.XX	±2°	SHEET SIZE		A4	
DRAWING TYPE		CUSTOMER		SERIES		DS1115 SERIES	
SCALE		1:1		SHEET		1 OF 1	
DRAWING NO.		C-DS1115-XXX-C		晨翔电子有限公司 CONNELY ELECTRONIC CO., LTD			