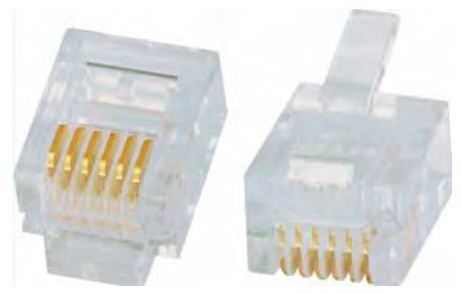
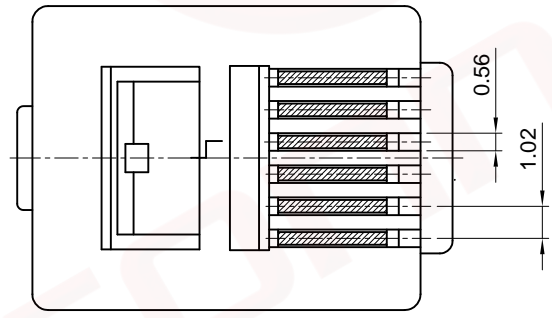
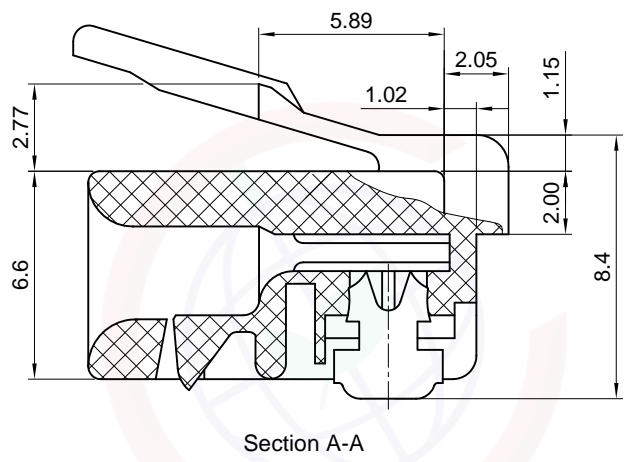
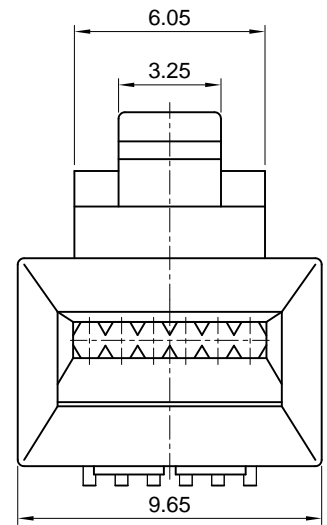


The information provided herein is from CONNELY Electronic Co., Ltd. and is confidential. Any disclosure to a party other than the recipient is prohibited. The intellectual properties and its rights contained herein, including but not limited to, trademarks, patents, copyrights, trade secrets, and technical know-how, are owned exclusively by CONNELY or its affiliates. Unauthorized use or reproduction of any part of this document, in any form or by any means, without the prior written permission of CONNELY is strictly prohibited. CONNELY may enforce its intellectual property rights at its own discretion, failures or delays to exercise such rights does not constitute a waiver of such rights.

REV.	DESCRIPTION	DRAWN	CHECKED	APPROVED
A	NEW RELEASE	LJH 03/01/06'		
B	DRAWING UPDATE	JLZ 02/16/22'		



(Series Image-Reference Only)

- Notes:
- Electrical Characteristics:
 - Contact Resistance: 20mΩ Max.
 - Dielectric Withstanding Voltage: 500V AC(rms) For 1 Minute.
 - Insulation Resistance: 1000MΩ Min.
 - Current Rating: 1.5A.
 - Voltage Rating: 150V AC rms.
 - Environment Characteristics:
 - Temperature: -20°C~+70°C.
 - Materials:
 - Contact Material: Copper Alloy.
 - Contact Plating: Gold Plating Over Nickel.
 - Insulator Materials: PC, Transparent.
 - Product Number Code:

DS1122 - X X X X

- X: Housing Color
T: Transparent
- X: Contact Plating
0: Gold flash 3:3u"Au
6:6u"Au 15:15u"Au
30:30u"Au
- X: No.Of Contacts
6:6p6c
- X: Connector Type
P: Plug

GENERAL TOLERANCE		ANGLE TOLERANCE		PROJECTION		TITLE	
X.	±0.60	X.	±5°	UNITS	mm	Plug 6P6C Square Type	
.X	±0.38	.X	±3°	SHEET SIZE	A4	SERIES	DS1122 SERIES
.XX	±0.25	.XX	±2°	晨翔电子有限公司 CONNELY CONNELY ELECTRONIC CO., LTD			
DRAWING TYPE		CUSTOMER					
SCALE	1:1	SHEET	1 OF 1				
DRAWING NO.		C-DS1122-XXXX-B					