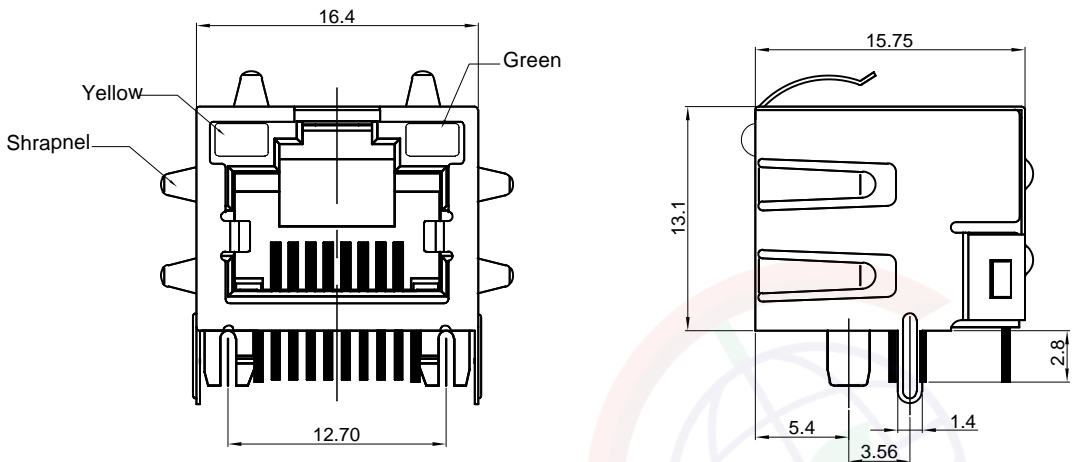
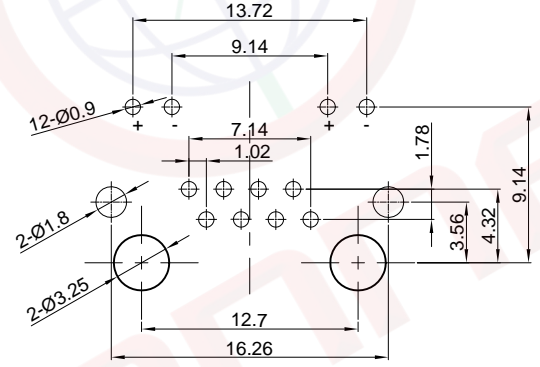
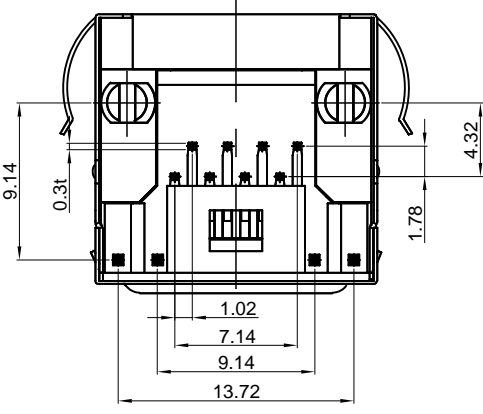


Dept	
Qty	
DC	1
ED	1
IE	1
ISO	1
PD	1
R&D	1
SD	1
QA	1
QC	1
QE	1

REV.	DESCRIPTION	DRAWN	CHECKED	APPROVED
A	NEW RELEASE	JLZ 11/10/14'	HZW 11/10/14'	LJC 11/10/14'
B	DRAWING UPDATE	JLZ 03/28/19'		
C	DRAWING UPDATE	JLZ 04/08/22'		

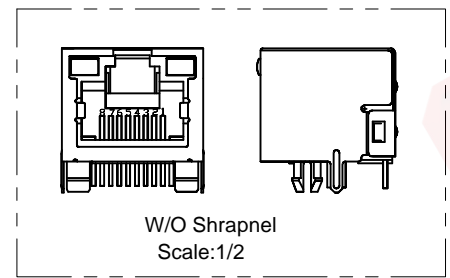


- Notes:
- Electrical Characteristics:
 - Contact Resistance: 20mΩ Max.
 - Dielectric Withstanding Voltage: 500V AC(rms) For 1 Minute.
 - Insulation Resistance: 1000MΩ Min.
 - Current Rating:1.5A.
 - Voltage Rating:125V AC rms.
 - Environment Characteristics:
 - Temperature: -40°C~+85°C.
 - Materials:
 - Contact Material: Copper Alloy.
 - Contact Plating: Selective Gold Flash.
 - Insulator Materials: PBT,UL94-V0.
 - Product Number Code:



DS1128-03-X X X X - X

- Shell Type
- X:W/O Shrapnel
- S:W/ Shrapnel
- Housing Color
- B:Black
- Contact Plating
- 0:Selective Gold Flash
- No.Of Contacts
- 8:8p8c
- Connector Type
- S:Socket



PCB layout
Thickness=1.6mm
LED Voltage:2.6V



(Series Image-Reference Only)

GENERAL TOLERANCE		ANGLE TOLERANCE		PROJECTION	TITLE	
X.	±0.60	X.	±5°		PCB JACK 8P 1Port With LED	
.X	±0.38	.X	±3°	UNITS	mm	
.XX	±0.25	.XX	±2°	SHEET SIZE	A4	SERIES DS1128-03 SERIES
DRAWING TYPE		CUSTOMER		晨翔电子有限公司 CONNFLY CONNFLY ELECTRONIC CO. LTD		
SCALE		1:1				
DRAWING NO.		C-DS1128-03-XXXX-X-C				

The information provided herein is from CONNFLY Electronic Co., Ltd. and is confidential. Any disclosure to a party other than the recipient is prohibited. The intellectual properties and its rights contained herein, including but not limited to, trademarks, patents, copyrights, trade secrets, and technical know-how, are owned exclusively by CONNFLY or its affiliates. Unauthorized use or reproduction of any part of this document, in any form or by any means, without the prior written permission of CONNFLY is strictly prohibited. CONNFLY may enforce its intellectual property rights at its own discretion, failures or delays to exercise such rights does not constitute a waiver of such rights.