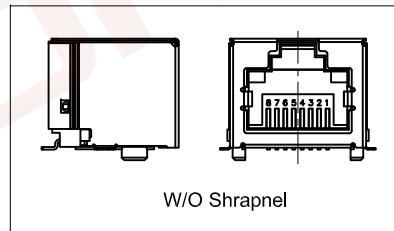
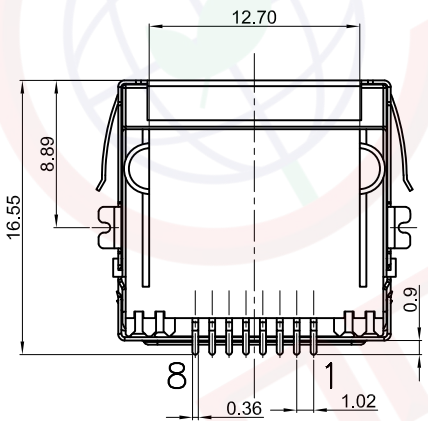
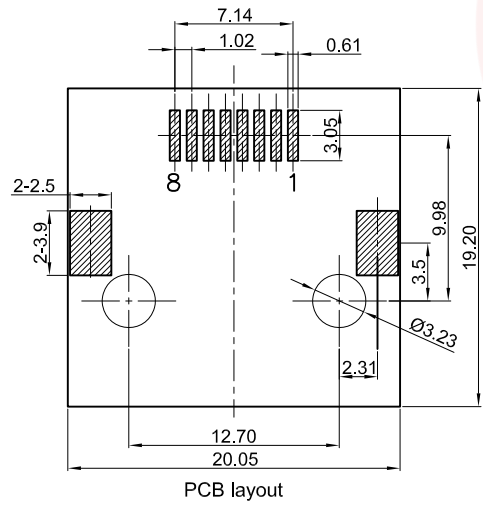
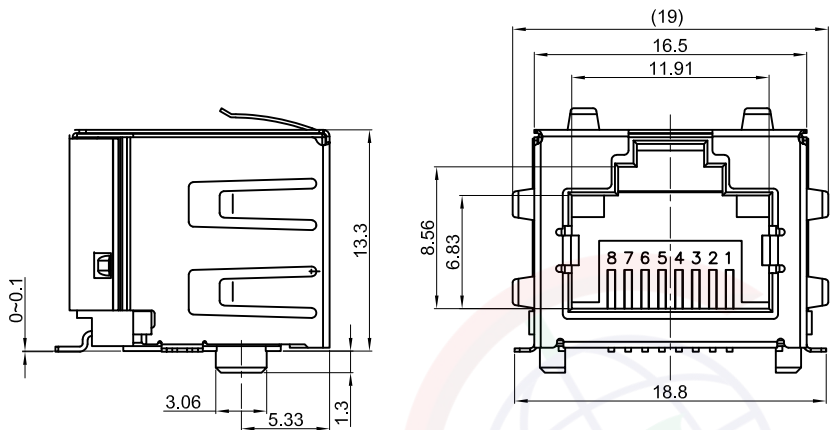


The information provided herein is from CONNELY Electronic Co., Ltd. and is confidential. Any disclosure to a party other than the recipient is prohibited. The intellectual properties and its rights contained herein, including but not limited to, trademarks, patents, copyrights, trade secrets, and technical know-how, are owned exclusively by CONNELY or its affiliates. Unauthorized use of this information in any format or manner. CONNELY may enforce its intellectual property rights at its own discretion; failures or delays to exercise such rights does not constitute a waiver of such rights.

1 2 3 4 5 6 7 8

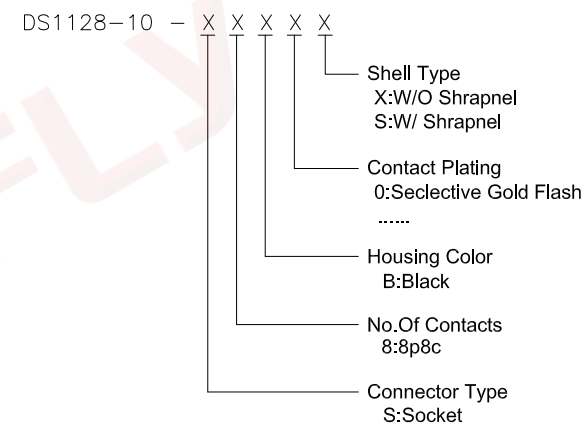
REV.	DESCRIPTION	DRAWN	CHECKED	APPROVED
A	NEW RELEASE	JLZ 09/05/17'		
B	DRAWING UPDATE	JLZ 10/14/24'		



(Series Image-Reference Only)

Notes:

- Electrical Characteristics:
  - Contact Resistance: 20mΩ Max.
  - Dielectric Withstanding Voltage: 500V AC(rms) For 1 Minute.
  - Insulation Resistance: 1000MΩ Min.
  - Current Rating: 1.5A.
  - Voltage Rating: 150V AC rms.
- Environment Characteristics:
  - Temperature: -40°C~+85°C.
- Materials:
  - Contact Material: Copper Alloy.
  - Contact Plating: Seclective Gold Flash.
  - Shell Material: Copper Alloy, Nickel Plated.
  - Insulator Materials: High-temperature, Black, UL94-V0.
- Product Number Code:



GENERAL TOLERANCE		ANGLE TOLERANCE		PROJECTION	TITLE
X.	±0.60	X.	±5°		PCB JACK 8P 1PORT
.X	±0.38	.X	±3°	mm	W/O LED W/ Shell SMT Type
.XX	±0.25	.XX	±2°	A4	SERIES DS1128-10 SERIES
DRAWING TYPE		CUSTOMER		晨翔电子有限公司 <b>CONNFLY CONNELY ELECTRONIC CO. LTD</b>	
SCALE		1:1 SHEET 1 OF 1			
DRAWING NO.		C-DS1128-10-XXXXX-B			

1 2 3 4 5 6 7 8