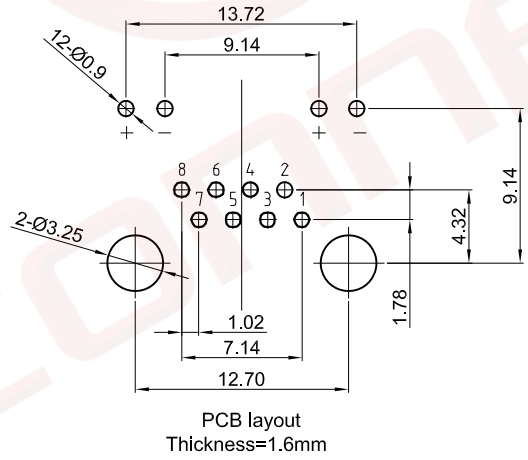
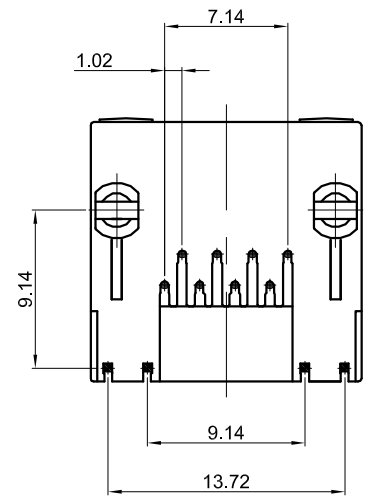
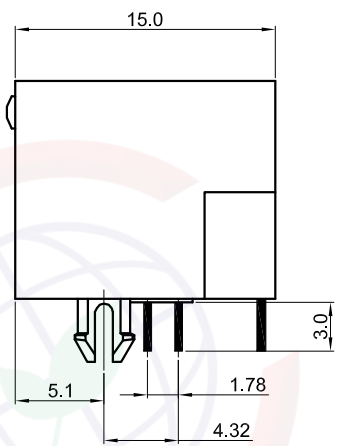
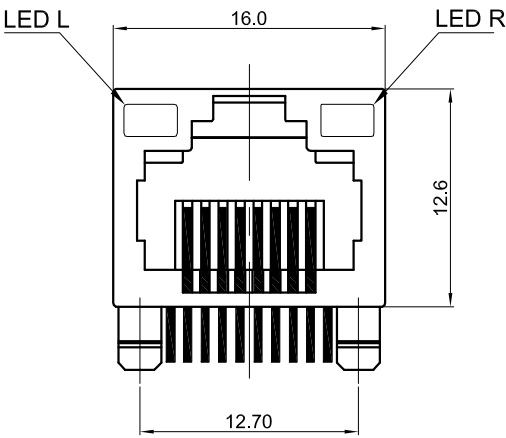


The information provided herein is from CONNELY Electronic Co., Ltd. and is confidential. Any disclosure to a party other than the recipient is prohibited. The intellectual properties and its rights contained herein, including but not limited to, trademarks, patents, copyrights, trade secrets, and technical know-how, are owned exclusively by CONNELY or its affiliates. Unauthorized use of this information in any format or manner. CONNELY may enforce its intellectual property rights at its own discretion; failures or delays to exercise such rights does not constitute a waiver of such rights.

1 2 3 4 5 6 7 8

REV.	DESCRIPTION	DRAWN	CHECKED	APPROVED
A	NEW RELEASE	JLZ 05/11/17'		
B	DRAWING UPDATE	JLZ 11/21/23'		



Notes:

- Electrical Characteristics:
 - Contact Resistance: 30mΩ Max.
 - Dielectric Withstanding Voltage: 1000V AC(rms) For 1 Minute.
 - Insulation Resistance: 500MΩ Min.
 - Current Rating: 1.5A.
 - Voltage Rating: 125V AC rms.
- Environment Characteristics:
 - Temperature: -40°C~+85°C.
- Materials:
 - Contact Material: Copper Alloy.
 - Contact Plating: Gold flash Over Nickel.
 - Insulator Materials: PBT, Black, UL94-V0.
- Product Number Code:

DS1128-13 - X X X X

- LED Type
- A: LED-L Yellow LED-R Green
- B: LED-L Green LED-R Yellow
-
- Contact Plating
- 8: Gold Flash
- Housing Color
- B: Black
- No. Of Contacts
- 8: 8p8c
- Connector Type
- S: Socket

GENERAL TOLERANCE		ANGLE TOLERANCE	
X.	±0.60	X.	±5°
.X	±0.38	.X	±3°
.XX	±0.25	.XX	±2°

PROJECTION	TITLE
	PCB Jack 8 Positions W/LED W/O Shell L=15.0mm Type
UNITS	mm
SHEET SIZE	A4
SERIES	DS1128-13 SERIES

DRAWING TYPE	CUSTOMER
SCALE	1:1 SHEET 1 OF 1
DRAWING NO.	C-DS1128-13-XXXXX-B

晨翔电子有限公司
CONNELY CONNELY ELECTRONIC CO. LTD

1 2 3 4 5 6 7 8