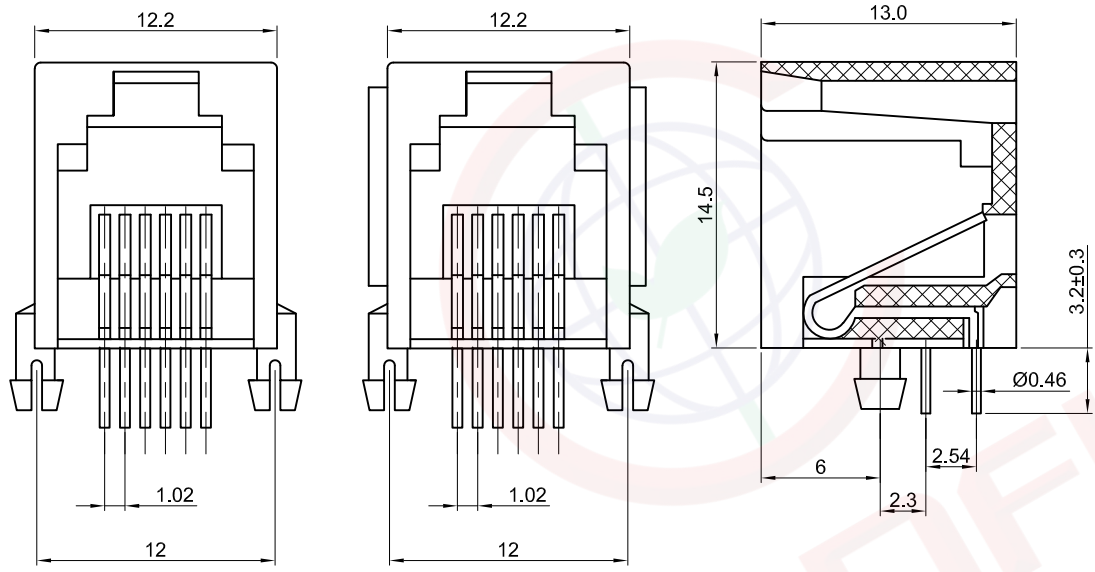


The information provided herein is from CONNELY Electronic Co., Ltd. and is confidential. Any disclosure to a party other than the recipient is prohibited. The intellectual properties and its rights contained herein, including but not limited to, trademarks, patents, copyrights, trade secrets, and technical know-how, are owned exclusively by CONNELY or its affiliates. Unauthorized use of this information in any format or manner. CONNELY may enforce its intellectual property rights at its own discretion; failures or delays to exercise such rights does not constitute a waiver of such rights.

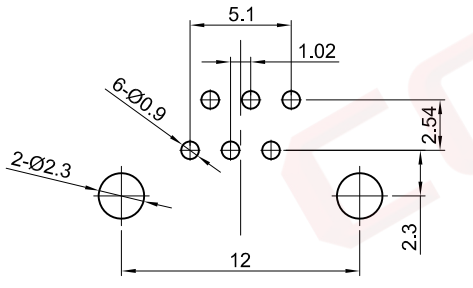
1                      2                      3                      4                      5                      6                      7                      8

REV.	DESCRIPTION	DRAWN	CHECKED	APPROVED
A	NEW RELEASE	LL 06/26/06'		LJC 06/26/06'
D	DRAWING UPDATE	JLZ 09/16/19'		

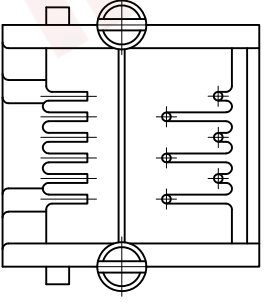


W/O EAR

W/ EAR



RECOMMEND PCB LAYOUT(TOLERANCE=±0.05)



Notes:

- Electrical Characteristics:
  - Contact Resistance: 20mΩ Max.
  - Dielectric Withstanding Voltage: 500V AC(rms) For 1 Minute.
  - Insulation Resistance: 1000MΩ Min.
  - Current Rating:1.5A.
  - Voltage Rating:125V AC rms.
- Environment Characteristics:
  - Temperature: -40°C~+85°C.
- Materials:
  - Contact Material: Copper Alloy.
  - Contact Plating: Gold Plating Over Nickel.
  - Insulator Materials: PBT/Nylon,UL94-V0.
- Product Number Code:

DS1133-X X X X X X

- Ear Support  
S:W/ Ear  
X:W/O Ear
- Housing Materials  
P:PBT  
N:Nylon
- Housing Color  
A:Gray  
B:Black
- Contact Plating  
0:Gold Flash  
3:3u" Gold  
6:6u" Gold  
15:15u" Gold  
30:30u" Gold
- No.Of Contacts  
6:6P6C 4:6P4C 2:6P2C
- Connector Type  
S:Socket

GENERAL TOLERANCE		ANGLE TOLERANCE	
X.	±0.60	X.	±5°
.X	±0.38	.X	±3°
.XX	±0.25	.XX	±2°

PROJECTION	TITLE
	PCB Jack 6 Positions W/O Shell Standard Type
UNITS	mm
SHEET SIZE	A4
SERIES	DS1133 SERIES

DRAWING TYPE	CUSTOMER
SCALE	1:1 SHEET 1 OF 1
DRAWING NO.	C-DS1133-XXXXXX-D

**晨翔电子有限公司**  
**CONNELY CONNELY ELECTRONIC CO. LTD**

1                      2                      3                      4                      5                      6                      7                      8