

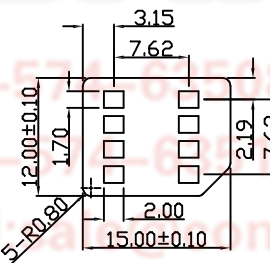
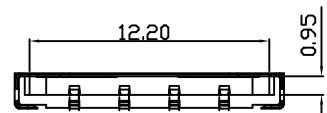
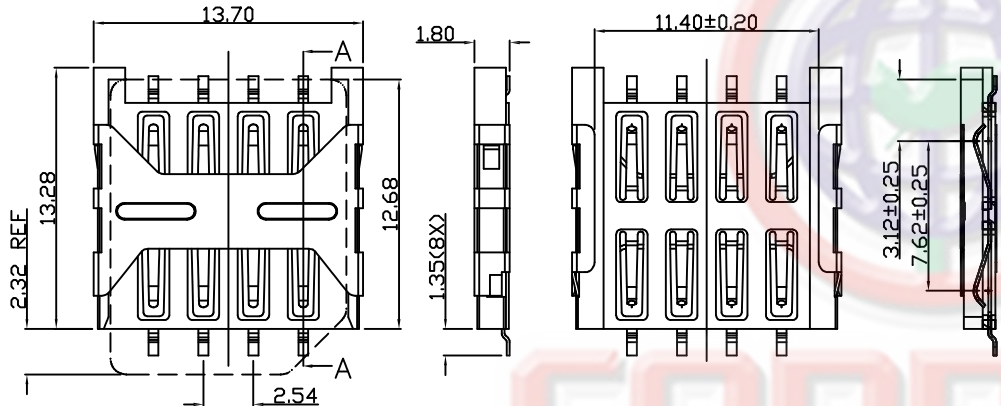
REV.	DESCRIPTION	DRAWN	CHECKED	APPROVED
A	NEW RELEASE	JLZ 10/10/17'		

Notes:

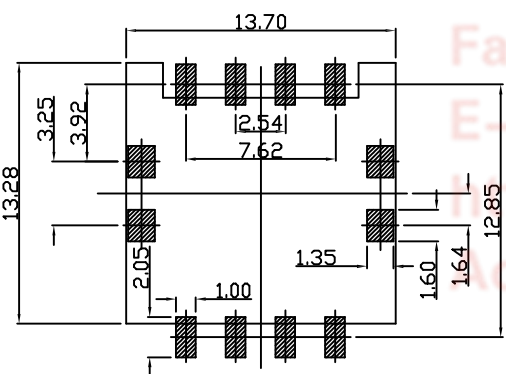
1. Material:
  - 1.1. Housing: High Temperature UL 94V-0 Color of Black.
  - 1.2. Contacts: Copper Alloy,
  - 1.3. Shell: Stainless Steel.
2. Finish:
  - 2.1. Contact Area: Gold Over Nickel
  - 2.2. Solder Area: Tin.
3. Specifications:
  - 3.1. Temperature Rated: -40° C TO +85° C
  - 3.2. Voltage Rating: 30V AC/DC
  - 3.3. Contact Resistance: 100mΩ Max.
  - 3.4. Insulation Resistance: 1000mΩ Min.
  - 3.5. Withstanding Voltage : 100V AC.
  - 3.6. Current Rating: 0.5A.
4. Product Number Code:

DS1138-13 - XX X X X X X X

- XX - Packing Type  
R: Tape On Reel
- X - Shell Plating  
S: Stainless
- X - Housing Color  
B: Black
- X - Contact Plating  
5: Selective 15u" gold
- X - Mounting Type  
S: SMT type
- X - Connector Type  
S: Socket
- X - NO. Of Contacts  
08:8Pin



Thickness=0.76±0.05 Scale 1:2  
Micro SIM Card



Recommended PCB Layout

GENERAL TOLERANCE		ANGLE TOLERANCE	
X.	±0.60	X.	±5°
.X	±0.38	.X	±3°
.XX	±0.25	.XX	±2°

PROJECTION		TITLE	2.54mm Mini SIM Card
UNITS	mm		H=1.8mm 8 Positions
SHEET SIZE	A4	SERIES	DS1138-13 SERIES

DRAWING TYPE	CUSTOMER		
SCALE	1:1	SHEET	1 OF 1
DRAWING NO.	C-DS1138-13-XXXXXXX-A		

**晨翔电子有限公司**  
**CONNFLY® CONNFLY ELECTRONIC CO., LTD**