

Dept	
Qty	
DC	1
ED	1
IE	1
ISO	1
PD	1
R&D	1
SD	1
QA	1
QC	1
QE	1

The information provided herein is from CONNELY Electronic Co., Ltd. and is confidential. Any disclosure to a party other than the recipient is prohibited. The intellectual properties and its rights contained herein, including but not limited to, trademarks, patents, copyrights, trade secrets, and technical know-how, are owned exclusively by CONNELY or its affiliates. Unauthorized use or reproduction of any part of this document is strictly prohibited. CONNELY reserves the right to make changes to the product specifications and drawings without notice. CONNELY may enforce its intellectual property rights at its own discretion, failures or delays to exercise such rights does not constitute a waiver of such rights.

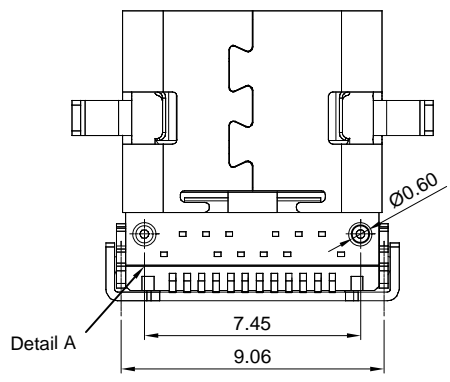
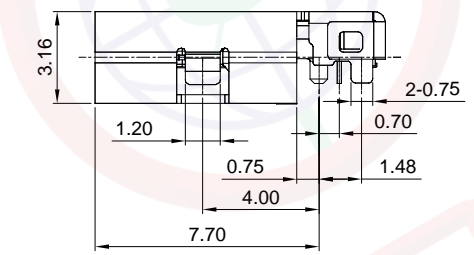
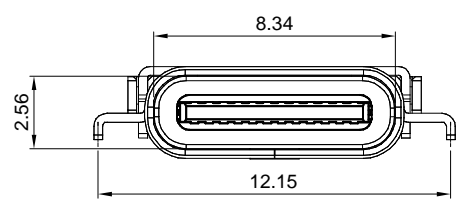
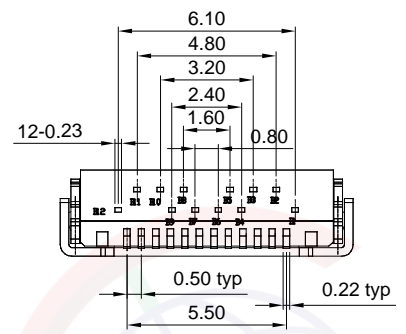
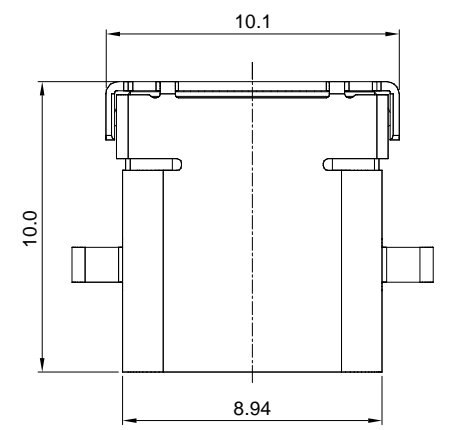
REV.	DESCRIPTION	DRAWN	CHECKED	APPROVED
A	NEW RELEASE	JLZ 07/07/18'		
B	DRAWING UPDATE	JLZ 03/20/23'		

NOTE:

- Material specification:
 - 1-1. Housing: High temperature resistant plastic, UL94 V-0.
 - 1-2. Contacts: Copper alloy
 - 1-3. Shell: Stainless steel
- Electrical performance:
 - 2-1. Current rating: 5.0A Max (For VBUS), 1.25A for GND, 0.25A for other
Voltage rating: 20V
 - 2-2. LLCR:
 - Vbus & Gnd pins and other pins: 40mΩ/Pin Max.
 - Shield: 50mΩ/Max.
 - LLCR Max. Change of all pins: 10mΩ.
 - 2-3. Insulation resistance: 100MΩ Min
 - 2-4. Dielectric withstand voltage, AC 100V for 1 minute.
- Environmental performance:
 - 3-1. Operating temperature: -30°C~+80°C.
- Ir reflow:
 - 4-1. The peak temperature on the board shall
Be maintained for 10 seconds at 260°C.
- Product number code:

DS1144-02 - X X X X X X X 0

- Packing Type
R: Tape On Reel
- Shell Plating
N: Full Nickel
- Housing color
B: Black
- Contact Plating
8: Gold flash
- Mounting type
S: SMT type
- Connector type
F: Female
- No. of contacts
24: 24pin



(Series Image-Reference Only)

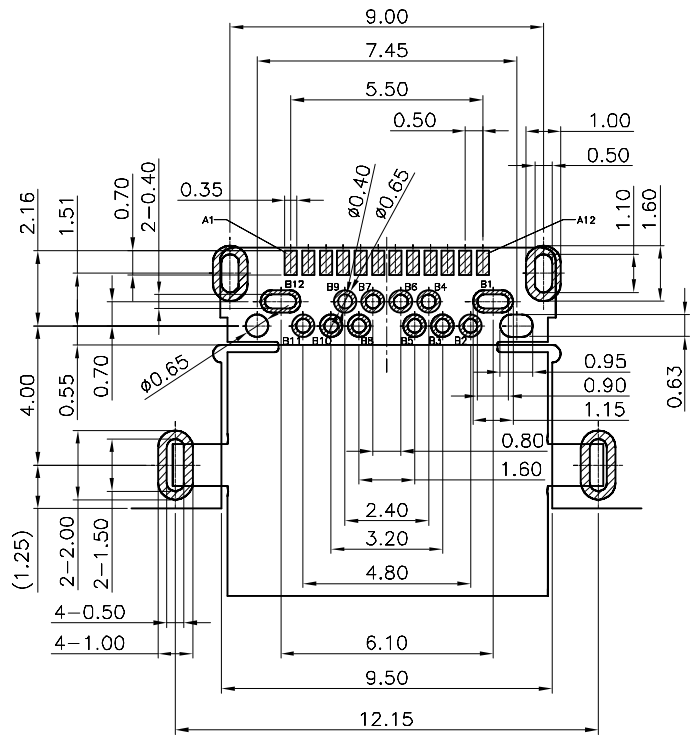
GENERAL TOLERANCE		ANGLE TOLERANCE	
X.	±0.60	X.	±5°
.X	±0.38	.X	±3°
.XX	±0.25	.XX	±2°
DRAWING TYPE	CUSTOMER		
SCALE	1:1	SHEET	1 OF 2
DRAWING NO.	C-DS1144-02-XXXXXX-A		

PROJECTION	TITLE	USB Type-C 24P Female Low Profile Dip+SMT Type L=10mm Centre-H=0.33mm
UNITS	mm	
SHEET SIZE	A4	SERIES DS1144-02 SERIES

晨翔电子有限公司
CONNFLY CONNELY ELECTRONIC CO. LTD

The information provided herein is from CONNPLY Electronic Co., Ltd. and is confidential. Any disclosure to a party other than the recipient is prohibited. The intellectual properties and its rights contained herein, including but not limited to, trademarks, patents, copyrights, trade secrets, and technical know-how, are owned exclusively by CONNPLY or its affiliates. Unauthorized use or reproduction of any part of this document is strictly prohibited. CONNPLY may enforce its intellectual property rights at its own discretion, failures or delays to exercise such rights does not constitute a waiver of such rights.

REV.	DESCRIPTION	DRAWN	CHECKED	APPROVED
A	NEW RELEASE	JLZ 07/07/18'		
B	DRAWING UPDATE	JLZ 03/20/23'		



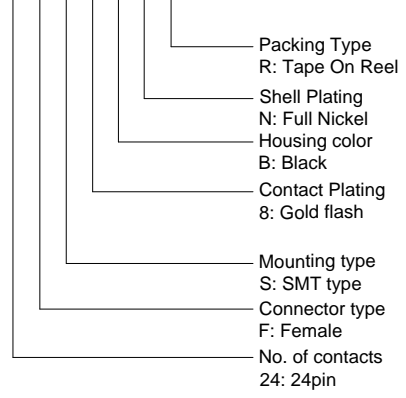
USB Type-C Pin Assignments

Pin Number	Signal Name	Pin Number	Signal Name
A1	GND	B12	GND
A4	VBUS	B9	VBUS
A5	CC1	B8	SBU2
A6	Dp1	B7	Dn2
A7	Dn1	B6	Dp2
A8	SBU1	B5	CC2
A9	VBUS	B4	VBUS
A12	GND	B1	GND

NOTE:

- Material specification:
 - Housing: High temperature resistant plastic, UL94 V-0.
 - Contacts: Copper alloy
 - Shell: Stainless steel
- Electrical performance:
 - Current rating: 5.0A Max (For VBUS), 1.25A for GND, 0.25A for other
 - Voltage rating: 20V
 - LLCR:
 - Vbus & Gnd pins and other pins: 40mΩ/Pin Max.
 - Shield: 50mΩ/Max.
 - LLCR Max. Change of all pins: 10mΩ.
 - Insulation resistance: 100MΩ Min
 - Dielectric withstand voltage, AC 100V for 1 minute.
- Environmental performance:
 - Operating temperature: -30°C~+80°C.
- Ir reflow:
 - The peak temperature on the board shall be maintained for 10 seconds at 260°C.
- Product number code:

DS1144-02 - X X X X X X X 0



GENERAL TOLERANCE		ANGLE TOLERANCE	
X.	±0.60	X.	±5°
.X	±0.38	.X	±3°
.XX	±0.25	.XX	±2°

DRAWING TYPE	CUSTOMER		
SCALE	1:1	SHEET	2 OF 2
DRAWING NO.	C-DS1144-02-XXXXXX-B		

PROJECTION	TITLE
	USB Type-C 24P Female Low Profile
UNITS	Dip+SMT Type L=10mm Centre-H=0.33mm
SHEET SIZE	SERIES DS1144-02 SERIES

晨翔电子有限公司
CONNPLY CONNPLY ELECTRONIC CO. LTD