

The information provided herein is from CONNELY Electronic Co., Ltd. and is confidential. Any disclosure to a party other than the recipient is prohibited. The intellectual properties and its rights contained herein, including but not limited to, trademarks, patents, copyrights, trade secrets, and technical know-how, are owned exclusively by CONNELY or its affiliates. Unauthorized use of this information may constitute a violation of applicable laws and regulations. CONNELY may enforce its intellectual property rights at its own discretion, failures or delays to exercise such rights does not constitute a waiver of such rights.

REV.	DESCRIPTION	DRAWN	CHECKED	APPROVED
A	NEW RELEASE	JLZ 08/11/18'		
B	DRAWING UPDATE	JLZ 05/07/22'		

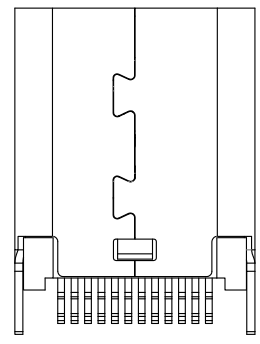
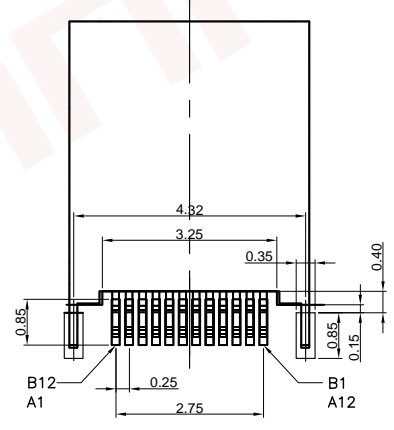
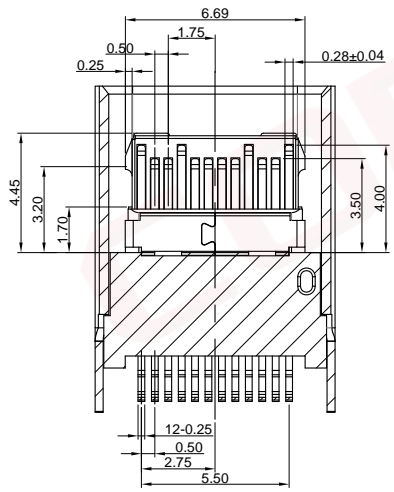
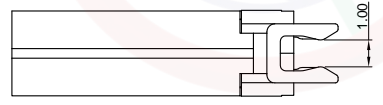
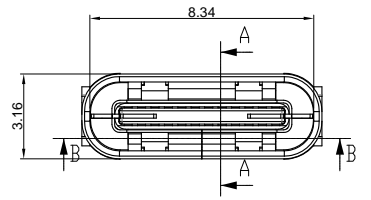
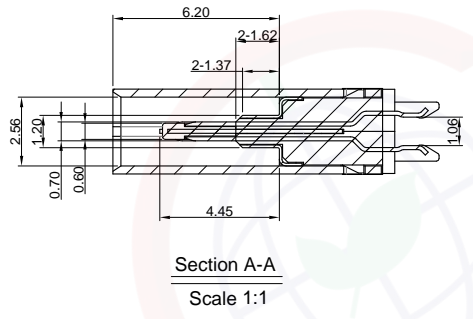
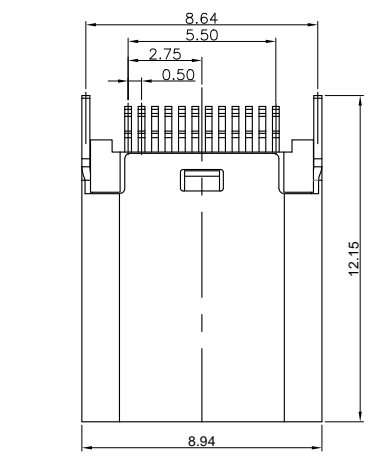
**NOTES:**

- 1.1 Insulator resistance: 100MΩ Min. at 100V DC.
- 1.2 Current rating: 3A Max.
- 1.3 Dielectric strength: AC 100V for 1 minute.
- 1.4 Housing: Thermoplastic (UL 94-0).
- 1.5 Contact: Copper alloy
- 1.6 Shell: Stainless steel
- 1.7 Product number code:

DS1144-06 - X X X X X X X X 0

- X Packing Type
- T Tray
- X Shell Plating
- N Full Nickel
- X Housing color
- B Black
- X Contact Plating
- 8 Gold flash
- X Mounting type
- T Straddle type
- X Connector type
- F Female
- X No. of contacts
- 24: 24pin

A12	GND	B1	GND
A11	SSRXp2	B2	SSTXp2
A10	SSRXn2	B3	SSTXn2
A9	VBUS	B4	VBUS
A8	SBU1	B5	CC2
A7	Dn1	B6	Dp2
A6	Dp1	B7	Dn2
A5	CC1	B8	SBU2
A4	VBUS	B9	VBUS
A3	SSTXn1	B10	SSRXn1
A2	SSTXp1	B11	SSRXp1
A1	GND	B12	GND
Pin NO. Signal name		Pin NO. Signal name	



(Series Image-Reference Only)

GENERAL TOLERANCE		ANGLE TOLERANCE	
X.	±0.60	X.	±5°
.X	±0.38	.X	±3°
.XX	±0.25	.XX	±2°

DRAWING TYPE	CUSTOMER		
SCALE	1:1	SHEET	1 OF 1
DRAWING NO.	C-DS1144-06-XXXXXXX-B		

PROJECTION	TITLE
	USB C Type Female Straddle type
UNITS	mm
SHEET SIZE	A4
SERIES	DS1144-06 SERIES

**晨翔电子有限公司**  
**CONNFLY CONNELY ELECTRONIC CO., LTD**