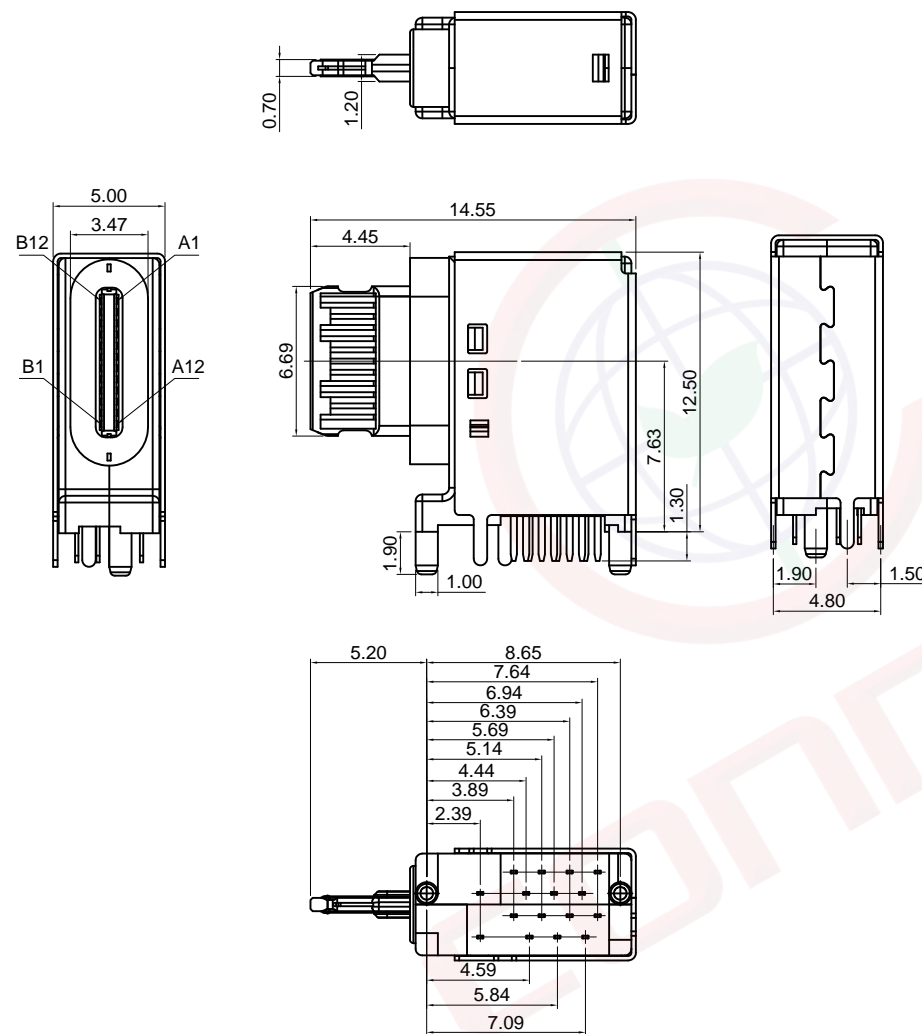


Dept	
Qty	
DC	1
ED	1
IE	1
ISO	1
PD	1
R&D	1
SD	1
QA	1
QC	1
QE	1

The information provided herein is from CONNELY Electronic Co., Ltd. and is confidential. Any disclosure to a party other than the recipient is prohibited. The intellectual properties and its rights contained herein, including but not limited to, trademarks, patents, copyrights, trade secrets, and technical know-how, are owned exclusively by CONNELY or its affiliates. Unauthorized use or reproduction of any part of this document is strictly prohibited. CONNELY may enforce its intellectual property rights at its own discretion, failures or delays to exercise such rights does not constitute a waiver of such rights.

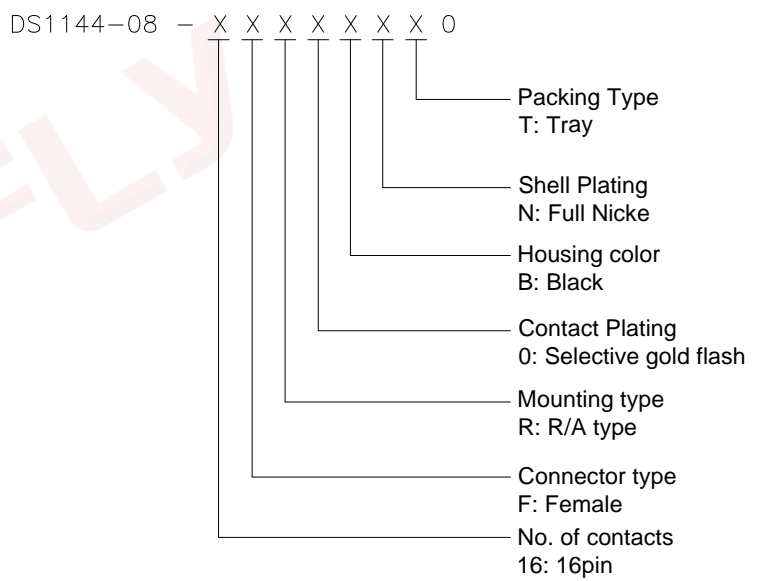


(Series Image-Reference Only)

REV.	DESCRIPTION	DRAWN	CHECKED	APPROVED
A	NEW RELEASE	JLZ 08/11/18'		
B	DRAWING UPDATE	JLZ 02/11/23'		

NOTES:

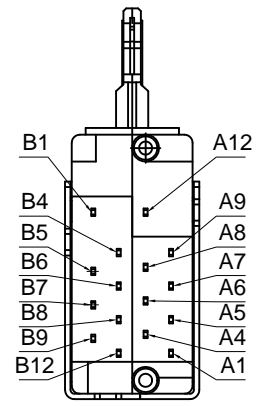
- 1.1 Insulator resistance: 100MΩ Min. AT 100V DC.
- 1.2 Current rating: 5A (Vbus) 0.25A Min for other.
- 1.3 Dielectric strength: AC 100V FOR 1 Minute.
- 1.4 Housing: Thermoplastic (UL 94-0).
- 1.5 Contact: Copper alloy
- 1.6 Outer shell: copper alloy
- 1.7 Inner shell: Stainless stell
- 1.8 product number code:



GENERAL TOLERANCE		ANGLE TOLERANCE		PROJECTION		TITLE	USB Type-C Female
X.	±0.60	X.	±5°	UNITS	mm		R/A Type
.X	±0.38	.X	±3°	SHEET SIZE	A4	SERIES	DS1144-08 SERIES
.XX	±0.25	.XX	±2°	晨翔电子有限公司 CONNFLY ELECTRONIC CO. LTD			
DRAWING TYPE		CUSTOMER					
SCALE	1:1	SHEET	1 OF 2				
DRAWING NO.		C-DS1144-08-XXXXXX-B					

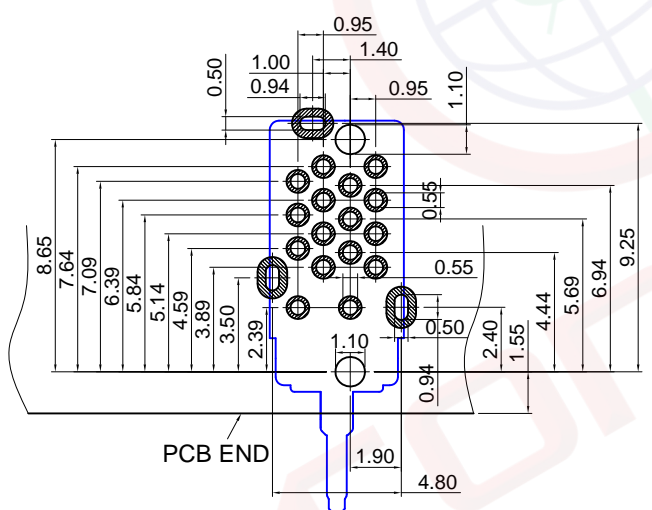
Dept	
Qty	
DC	1
ED	1
IE	1
ISO	1
PD	1
R&D	1
SD	1
QA	1
QC	1
QE	1

The information provided herein is from CONNELY Electronic Co., Ltd. and is confidential. Any disclosure to a party other than the recipient is prohibited. The intellectual properties and its rights contained herein, including but not limited to, trademarks, patents, copyrights, trade secrets, and technical know-how, are owned exclusively by CONNELY or its affiliates. Unauthorized use or reproduction of any part of this document is strictly prohibited. CONNELY may enforce its intellectual property rights at its own discretion, failures or delays to exercise such rights does not constitute a waiver of such rights.



USB Type-C Pin Assignments

Pin Number	Signal Name	Pin Number	Signal Name
A1	GND	B12	GND
A4	VBUS	B9	VBUS
A5	CC1	B8	SBU2
A6	Dp1	B7	Dn2
A7	Dn1	B6	Dp2
A8	SBU1	B5	CC2
A9	VBUS	B4	VBUS
A12	GND	B1	GND



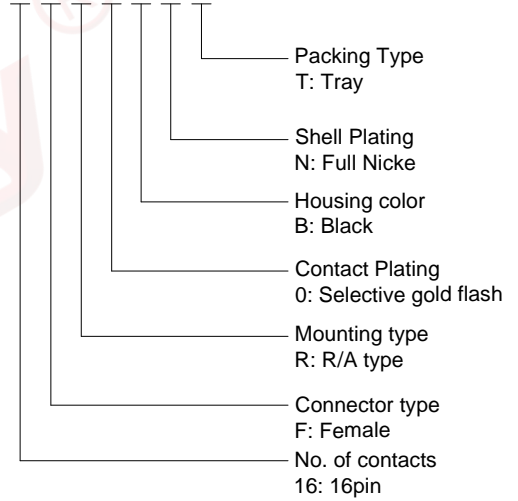
Recommend PCB Layout (Thickness=1.0mm)
(Component side) Tolerance:±0.02

REV.	DESCRIPTION	DRAWN	CHECKED	APPROVED
A	NEW RELEASE	JLZ 08/11/18'		
B	DRAWING UPDATE	JLZ 02/11/23'		

NOTES:

- 1.1 Insulator resistance: 100MΩ Min. AT 100V DC.
- 1.2 Current rating: 5A (Vbus) 0.25A Min for other.
- 1.3 Dielectric strength: AC 100V FOR 1 Minute.
- 1.4 Housing: Thermoplastic (UL 94-0).
- 1.5 Contact: Copper alloy
- 1.6 Outer shell: copper alloy
- 1.7 Inner shell: Stainless stell
- 1.8 product number code:

DS1144-08 - X X X X X X X 0



GENERAL TOLERANCE		ANGLE TOLERANCE		PROJECTION		TITLE	USB Type-C Female
X.	±0.60	X.	±5°	UNITS	mm	R/A Type	
.X	±0.38	.X	±3°	SHEET SIZE	A4	SERIES	DS1144-08 SERIES
.XX	±0.25	.XX	±2°	晨翔电子有限公司 CONNFLY CONNELY ELECTRONIC CO. LTD			
DRAWING TYPE		CUSTOMER					
SCALE	1:1	SHEET	2 OF 2				
DRAWING NO.		C-DS1144-08-XXXXXXX-B					