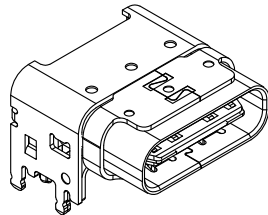
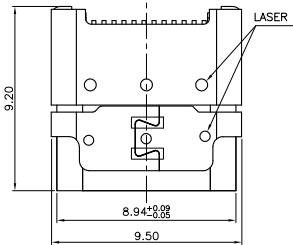


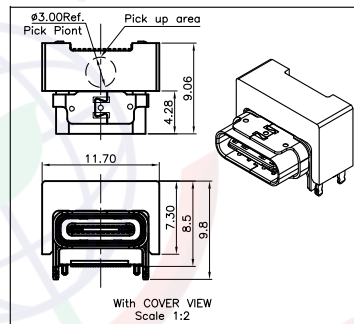
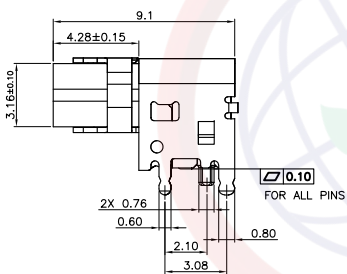
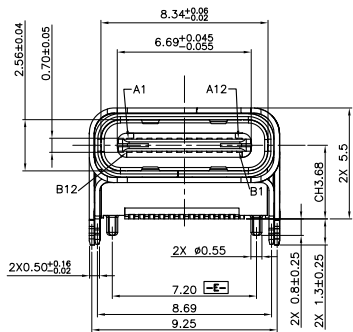
Dept
Qty
DC 1
ED 1
IE 1
ISO 1
PD 1
R&D 1
SD 1
QA 1
QC 1
QE 1

The information provided herein is from CONNELY Electronic Co., Ltd. and is confidential. Any disclosure to a party other than the recipient is prohibited. The intellectual properties and its rights contained herein, including but not limited to, trademarks, patents, copyrights, trade secrets, and technical know-how, are owned exclusively by CONNELY or its affiliates. Unauthorized use of this information in any format or manner. CONNELY may enforce its intellectual property rights at its own discretion; failures or delays to exercise such rights does not constitute a waiver of such rights.

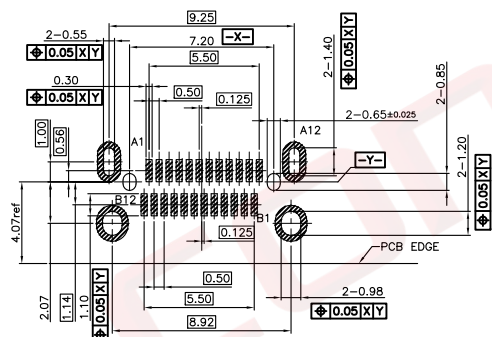
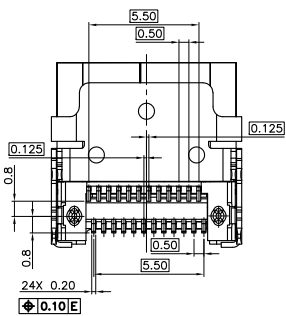
REV.	DESCRIPTION	DRAWN	CHECKED	APPROVED
A	NEW RELEASE	JLZ 01/18/21'		



NOTE:
1.MATERIAL:
SEE TABLE 1
2.ELECTRICAL CHARACTERISTICS:
2.1 CONTACT RESISTANCE:
40mΩ Max FOR VBUS ,GNA AND OTHER CONTACTS
50mΩ CHANGE AFTER ENVIRONMENT TEST
2.2 CONTACT CURRENT RATING:
COLLECTIVELY VBUS PIN (A4,A9,B4,B9) ,TOTAL 5A
VCCON PIN (B5) THROUGH GND PIN(A1,A12,B1,B12),1.25A
OTHERS PIN, 0.25A
2.3 DIELECTRIC WITHSTANDING VOLTAGE: 100V AC (R.M.S).
2.4 INSULATION RESISTANCE 100MΩ Min.
3. MECHANICAL CHARACTERISTICS:
3.1 MATING FORCE: 5~20 N.
3.2 UNMATED FORCE: INITIAL 8~20N; 6~20N AFTER 10000 CYCLES
3.3 OPERATING TEMPERATURE: -40°C ~ 120°C
3.4 DURABILITY: 10,000 CYCLES
4.DIMENSIONS ARE IN MILLIMETERS
5.RECOMMENED PROCESSOR REFLOW 260℃,5 ~ 10 SECONDS.
6.THE CONNECTOR IS ROHS/HALOGEN COMPLIANT.
7. THE PACKAGE IS TAPE & REEL
8. THE PART CONFORMS TO USB TYPE C SPEC UNLESS SPECIFIED
9.Product number code:
DS1144-41 - X X X X X X X X



Packing Type
R: Tape On Reel
Shell Plating
N: Full Nicke
Housing color
B: Black
Contact Plating
7: Gold Plating 30u"
8: Gold Flash
Mounting type
S: SMT type
Connector type
F: Female
No. of contacts
24: 24pin



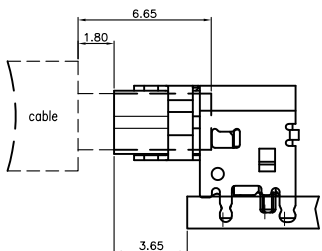
TYPE C INTERFACE(FRONT VIEW)

A1	A2	A3	A4	A5	A6	A7	A8	A9	A10	A11	A12
GND	TX1+	TX1-	Vbus	CC1	D+	D-	SBU1	Vbus	RX2-	RX2+	GND
B12	B11	B10	B9	B8	B7	B6	B5	B4	B3	B2	B1

08	COVER	LCP	1	Black, UL94 V-0
07	UNDER SHELL	SUS304	1	T=0.25,Solder area Plating Au 1U"
06	OUTER SHELL	SUS304	1	T=0.25,Solder area Plating Au 1U"
05	INNER SHELL	SUS304	1	T=0.30,Plating nickel
04	MOLDING	LCP	1	Black, UL94 V-0
03	SHIELDING PLATE	SUS301	1	T=0.15 ,Plating nickel
02	BOTTOM CONTACT	Copper alloy	12	T=0.12 ,Au 30u", Plated at contact area,1U" MIN plated at solder area.
01	TOP CONTACT	Copper alloy	12	T=0.12 Au 30u", Plated at contact area,1U" MIN plated at solder area.
NO.	VARIETY	MATERIAL	QT,Y	REMARK



(Series Image-Reference Only)



GENERAL TOLERANCE		ANGLE TOLERANCE	
X.	±0.60	X.	±5°
.X	±0.38	.X	±3°
.XX	±0.25	.XX	±2°
DRAWING TYPE		CUSTOMER	
SCALE		1:1	SHEET 1 OF 1
DRAWING NO.		C-DS1144-41-XXXXXX-A	

PROJECTION	TITLE
	USB C Type 24P Female SMT Type L=9.2mm Centre-H=3.68mm
UNITS	mm
SHEET SIZE	A4
SERIES	DS1144-41 SERIES

晨翔电子有限公司
CONNFLY CONNELY ELECTRONIC CO. LTD