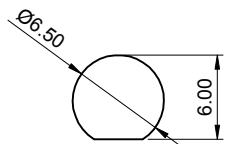


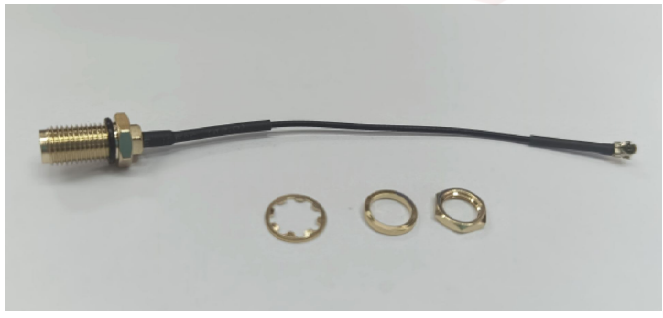
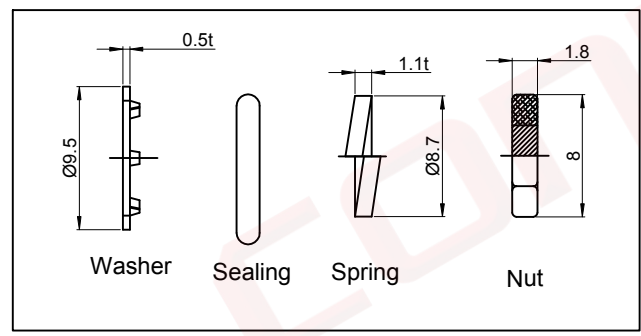
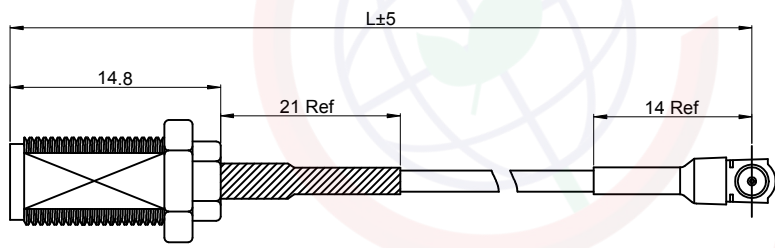
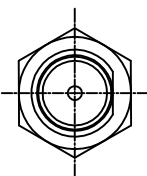
Dept	
Qty	
DC	1
ED	1
IE	1
ISO	1
PD	1
R&D	1
SD	1
QA	1
QC	1
QE	1

The information provided herein is from CONNFLY Electronic Co., Ltd. and is confidential. Any disclosure to a party other than the recipient is prohibited. The intellectual properties and its rights of CONNFLY Electronic Co., Ltd. are strictly protected. All intellectual properties provided herein are for reference purposes only and does not constitute authorization of its use in any format or manner. CONNFLY may enforce its intellectual property rights at its own discretion; failures or delays to exercise such rights does not constitute a waiver of such rights.

REV.	DESCRIPTION	DRAWN	CHECKED	APPROVED
A	NEW RELEASE	JLZ 04/12/22'		
B	DRAWING UPDATE	JLZ 10/25/23'		



Recommended Mounting Hole Dimensions

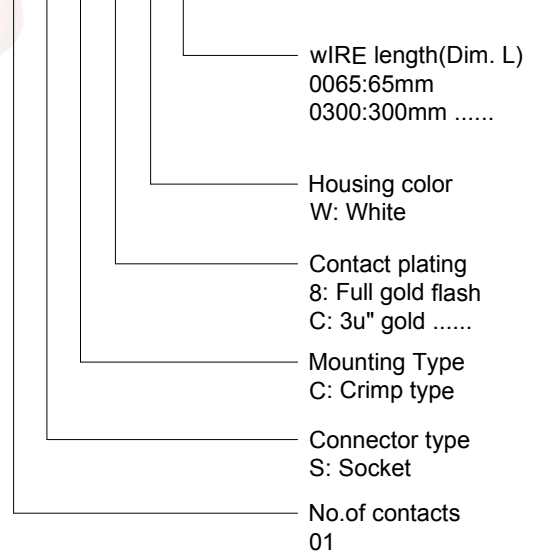


(Series Image-Reference Only)

Notes:

- Materials:
 - Contact: Copper Alloy, Full Gold Flash Plated.
 - Shell: Copper Alloy, Full Gold Flash Plated.
 - Insulator: High Temp Thermoplastic, White.
- Specifications:
 - Contact Resistance: 20mΩ max.
 - Insulation Resistance: 1000MΩ min.
 - Dielectric Withstanding Voltage: 500V min.
 - Temperature Range: -40~+125°C.
 - Impedance: 50Ω.
 - Operating Cycles: 300 Cycles min.
- Product Number Code:

DS1158-05 - X X X X X X



GENERAL TOLERANCE		ANGLE TOLERANCE		PROJECTION		TITLE	SMA Jack + Ø1.3 Cable	
X.	±0.60	X.	±5°	UNITS	mm			
.X	±0.38	.X	±3°	SHEET SIZE	A4	SERIES	DS1158-05 SERIES	
.XX	±0.25	.XX	±2°	晨翔电子有限公司 CONNFLY CONNFLY ELECTRONIC CO. LTD				
DRAWING TYPE		CUSTOMER						
SCALE		1:1						
DRAWING NO.		C-DS1158-05-XXXXXX-B						