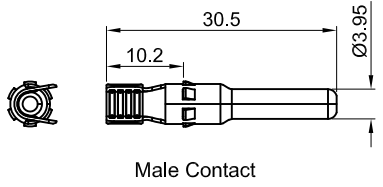
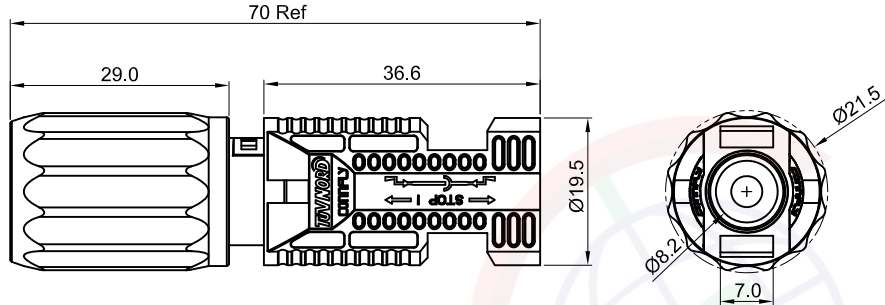
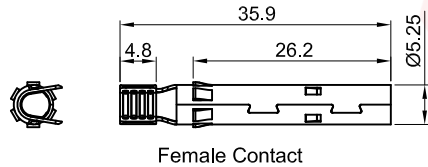
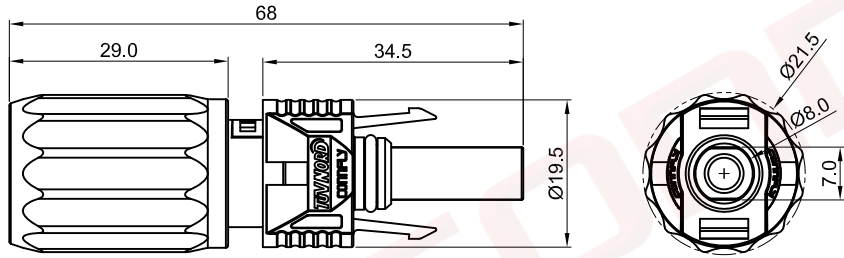


The information provided herein is from CONNELY Electronic Co., Ltd. and is confidential. Any disclosure to a party other than the recipient is prohibited. The intellectual properties and its rights contained herein, including but not limited to, trademarks, patents, copyrights, trade secrets, and technical know-how, are owned exclusively by CONNELY or its affiliates. Unauthorized use of this information in any format or manner. CONNELY may enforce its intellectual property rights at its own discretion; failures or delays to exercise such rights does not constitute a waiver of such rights.

Male



Female



(Series Image-Reference Only)

REV.	DESCRIPTION	DRAWN	CHECKED	APPROVED
A	NEW RELEASE	JLZ 05/06/22'		
B	DRAWING UPDATE	JLZ 09/24/24'		

- Notes:
- Specifications:
- Contact Resistance: 0.5mΩ Max.
 - Insulation Resistance: 1000MΩ Min.
 - Dielectric Withstanding Voltage: 8000V AC(rms) For 1 Minute.
 - Current Rating: 30A.
 - Voltage Rating: 1500V DC rms.
 - Temperature: -40°C~+85°C.
 - Cable size: 2.5~6mm².
 - Waterproof rated: IP67.

- Materials:
- Insulating material: Thermoplastic, UL 94 V-0.
 - Contact: Red Copper, Tin plated.
 - Fingers: Beryllium Copper, Tin Plated.
 - Clip: Stainless Steel.
 - Sealing: Silicone rubber, Black.

Product Number Code:

DS1162-01 - X X X X X X

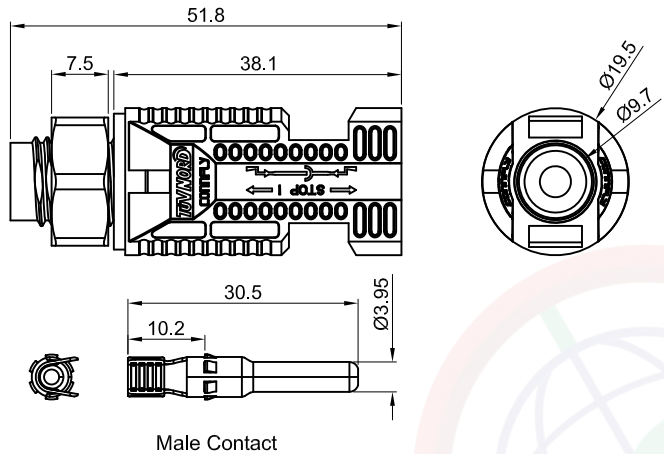
- Voltage Type
1: 1500V
- Packing Type
1: Mix packing(Female+Male/Bag)
2: Separation packing(Female/Bag or Male/Bag)
Q:N*Female/Bag+N*Male/Bag+N*Male Contact/Bag +Female Contact/Bag
- Housing color
B: Black
- Contact plating
6: Tin
- Mounting type
C: Locking type
- Connector type
F: Female M: Male
A: Female+Male

GENERAL TOLERANCE		ANGLE TOLERANCE		PROJECTION		TITLE	Solar Connectors Wire to Wire
X.	±0.60	X.	±5°	UNITS	mm	W/ Lock Type (1500V)	
.X	±0.38	.X	±3°	SHEET SIZE	A4	SERIES	DS1162-01 SERIES
.XX	±0.25	.XX	±2°	晨翔电子有限公司 CONNELY CONNELY ELECTRONIC CO. LTD			
DRAWING TYPE		CUSTOMER					
SCALE	1:1	SHEET	1 OF 5				
DRAWING NO.		C-DS1162-01-XXXXX-B					

Dept
Qty
DC 1
ED 1
IE 1
ISO 1
PD 1
R&D 1
SD 1
QA 1
QC 1
QE 1

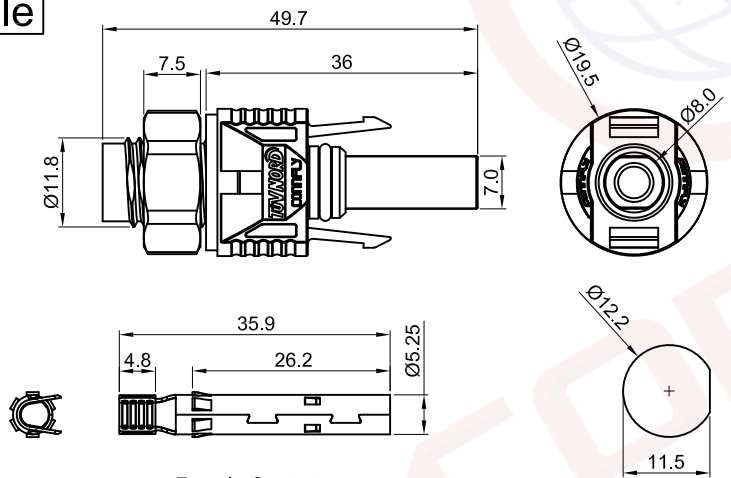
The information provided herein is from CONNELY Electronic Co., Ltd. and is confidential. Any disclosure to a party other than the recipient is prohibited. The intellectual properties and its rights contained herein, including but not limited to, trademarks, patents, copyrights, trade secrets, and technical know-how, are owned exclusively by CONNELY or its affiliates. Unauthorized use or reproduction of this document in any format or manner. CONNELY may enforce its intellectual property rights at its own discretion; failures or delays to exercise such rights does not constitute a waiver of such rights.

Male



Male Contact

Female



Female Contact

Suggested Panel Opening



(Series Image-Reference Only)

REV.	DESCRIPTION	DRAWN	CHECKED	APPROVED
A	NEW RELEASE	JLZ 05/06/22'		
B	DRAWING UPDATE	JLZ 09/24/24'		

Notes:

Specifications:

- Contact Resistance: 0.5mΩ Max.
- Insulation Resistance: 1000MΩ Min.
- Dielectric Withstanding Voltage: 8000V AC(rms) For 1 Minute.
- Current Rating: 30A.
- Voltage Rating: 1500V DC rms.
- Temperature: -40°C~+85°C.
- Cable size: 2.5~6mm².
- Waterproof rated: IP67.

Materials:

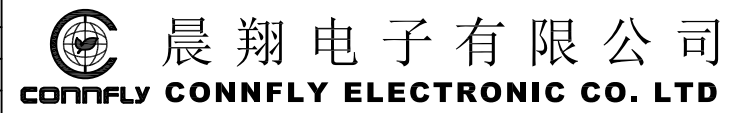
- Insulating material: Thermoplastic, UL 94 V-0.
- Contact: Red Copper, Tin plated.
- Fingers: Beryllium Copper, Tin Plated.
- Clip: Stainless Steel.
- Sealing: Silicone rubber, Black.

Product Number Code:

DS1162-01 - X X X X X X

- Voltage Type
1: 1500V
- Packing Type
1: Mix packing(Female+Male/Bag)
2: Separation packing(Female/Bag or Male/Bag)
Q:N*Female/Bag+N*Male/Bag+N*Male Contact/Bag +Female Contact/Bag
- Housing color
B: Black
- Contact plating
6: Tin
- Mounting type
V: Panel type
- Connector type
F: Female M: Male
A: Female+Male

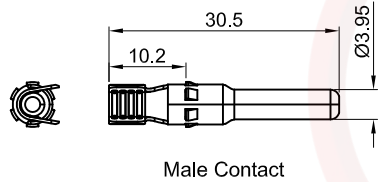
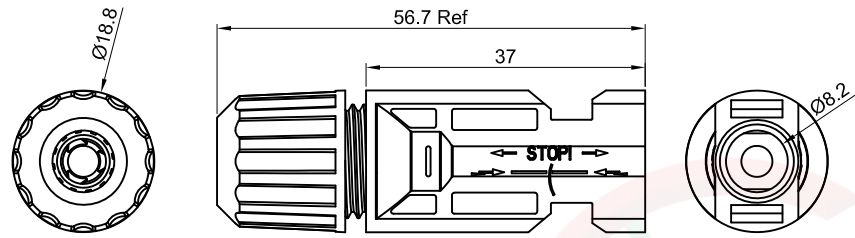
GENERAL TOLERANCE		ANGLE TOLERANCE		PROJECTION		TITLE	Solar Connectors Wire to Board
X.	±0.60	X.	±5°	UNITS	mm		W/ Lock Type (1500V)
.X	±0.38	.X	±3°	SHEET SIZE	A4	SERIES	DS1162-01 SERIES
.XX	±0.25	.XX	±2°				
DRAWING TYPE		CUSTOMER					
SCALE		1:1	SHEET	2 OF 5			
DRAWING NO.		C-DS1162-01-XXXXX-B					



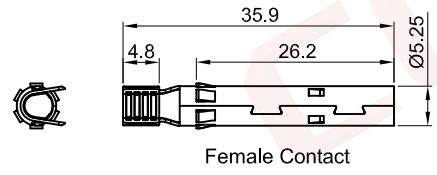
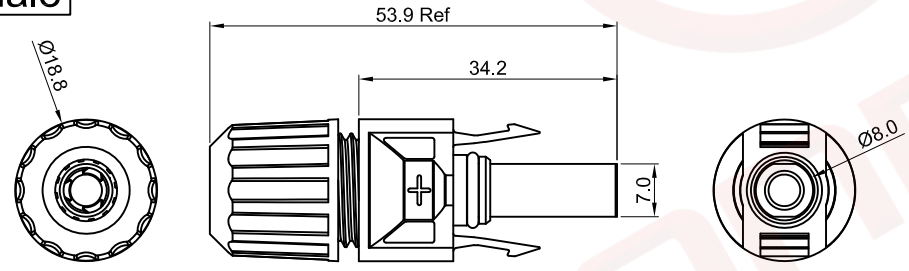
Dept
Qty
DC 1
ED 1
IE 1
ISO 1
PD 1
R&D 1
SD 1
QA 1
QC 1
QE 1

The information provided herein is from CONNELY Electronic Co., Ltd. and is confidential. Any disclosure to a party other than the recipient is prohibited. The intellectual properties and its rights contained herein, including but not limited to, trademarks, patents, copyrights, trade secrets, and technical know-how, are owned exclusively by CONNELY or its affiliates. Unauthorized use or reproduction of this document in any format or manner. CONNELY may enforce its intellectual property rights at its own discretion; failures or delays to exercise such rights does not constitute a waiver of such rights.

Male



Female



(Series Image-Reference Only)

REV.	DESCRIPTION	DRAWN	CHECKED	APPROVED
A	NEW RELEASE	JLZ 05/06/22'		
B	DRAWING UPDATE	JLZ 09/24/24'		

Notes:

Specifications:

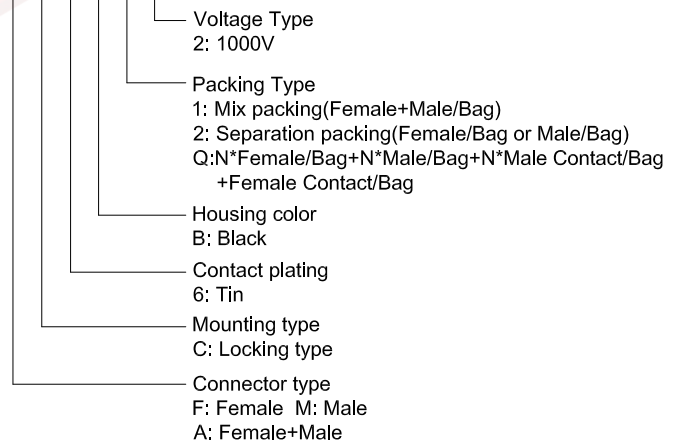
- Contact Resistance: 0.5mΩ Max.
- Insulation Resistance: 1000MΩ Min.
- Dielectric Withstanding Voltage: 2000V AC(rms) For 1 Minute.
- Current Rating: 30A.
- Voltage Rating: 1000V DC rms.
- Temperature: -40°C~+85°C.
- Cable size: 2.5~6mm².
- Waterproof rated: IP67.

Materials:

- Insulating material: Thermoplastic, UL 94 V-0.
- Contact: Red Copper, Tin plated.
- Fingers: Beryllium Copper, Tin Plated.
- Clip: Stainless Steel.
- Sealing: Silicone rubber, White&Red.

Product Number Code:

DS1162-01 - X X X X X X



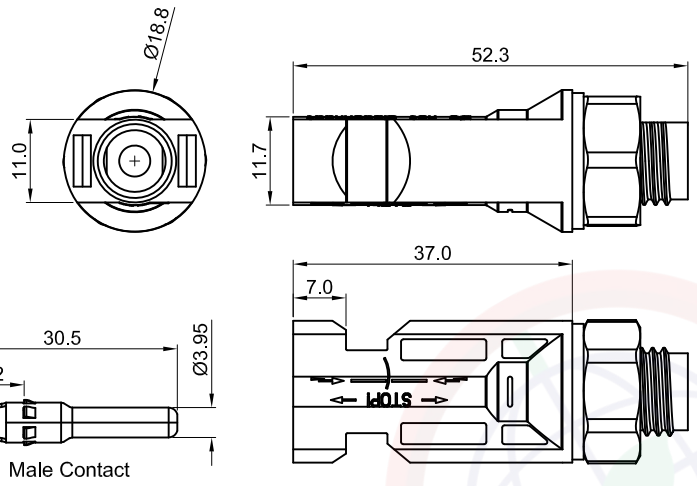
GENERAL TOLERANCE		ANGLE TOLERANCE		PROJECTION		TITLE	Solar Connectors Wire to Wire W/ Lock Type (1000V)
X.	±0.60	X.	±5°	UNITS	mm	SHEET SIZE	A4
.X	±0.38	.X	±3°				
.XX	±0.25	.XX	±2°				
DRAWING TYPE		CUSTOMER		SERIES DS1162-01 SERIES			
SCALE		1:1	SHEET		3 OF 5		
DRAWING NO.		C-DS1162-01-XXXXX-B					

晨翔电子有限公司
CONNFLY CONNELY ELECTRONIC CO. LTD

Dept
Qty
DC 1
ED 1
IE 1
ISO 1
PD 1
R&D 1
SD 1
QA 1
QC 1
QE 1

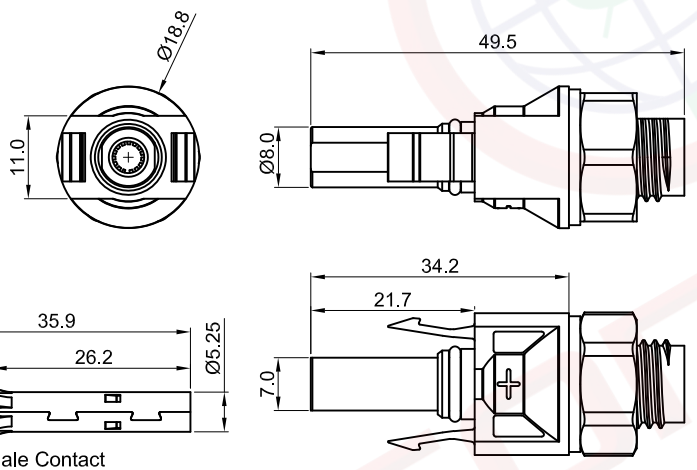
The information provided herein is from CONNELY Electronic Co., Ltd. and is confidential. Any disclosure to a party other than the recipient is prohibited. The intellectual properties and its rights contained herein, including but not limited to, trademarks, patents, copyrights, trade secrets, and technical know-how, are owned exclusively by CONNELY or its affiliates. Unauthorized use of this information in any format or manner. CONNELY may enforce its intellectual property rights at its own discretion; failures or delays to exercise such rights does not constitute a waiver of such rights.

Male



Male Contact

Female

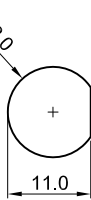


Female Contact



(Series Image-Reference Only)

Suggested Panel Opening



REV.	DESCRIPTION	DRAWN	CHECKED	APPROVED
A	NEW RELEASE	JLZ 05/06/22'		
B	DRAWING UPDATE	JLZ 09/24/24'		

Notes:

Specifications:

1. Contact Resistance: 0.5mΩ Max.
2. Insulation Resistance: 1000MΩ Min.
3. Dielectric Withstanding Voltage: 3000V AC(rms) For 1 Minute.
4. Current Rating: 30A.
5. Voltage Rating: 1000V DC rms.
6. Temperature: -40°C~+85°C.
7. Cable size: 2.5~6mm².
8. Waterproof rated: IP67.

Materials:

1. Insulating material: Thermoplastic, UL 94 V-0.
2. Contact: Red Copper, Tin plated.
3. Fingers: Beryllium Copper, Tin Plated.
4. Clip: Stainless Steel.
5. Sealing: Silicone rubber, White&Red.

Product Number Code:

DS1162-01 - X X X X X X

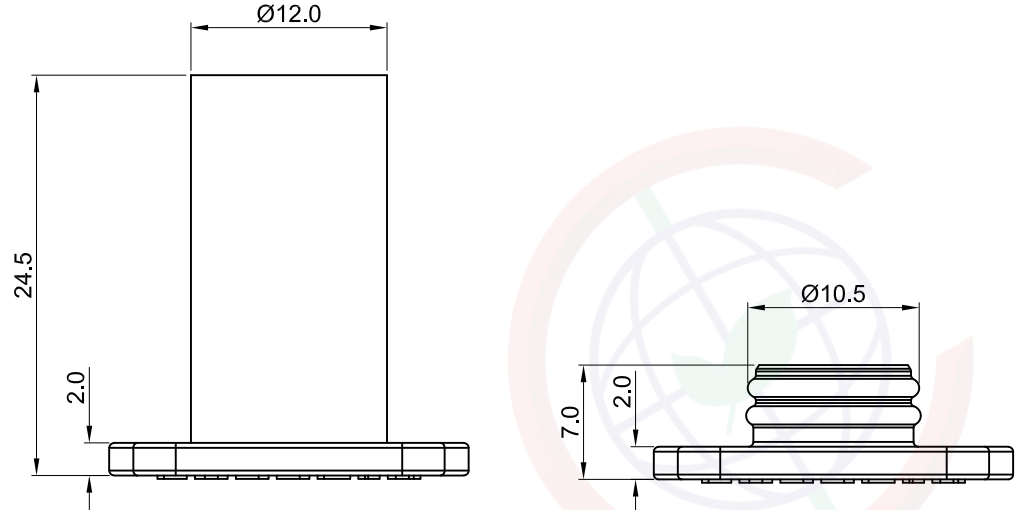
- Voltage Type
2: 1000V
- Packing Type
1: Mix packing(Female+Male/Bag)
2: Separation packing(Female/Bag or Male/Bag)
Q:N*Female/Bag+N*Male/Bag+N*Male Contact/Bag
+Female Contact/Bag
- Housing color
B: Black
- Contact plating
6: Tin
- Mounting type
V: Panel type
- Connector type
F: Female M: Male
A: Female+Male

GENERAL TOLERANCE		ANGLE TOLERANCE		PROJECTION		TITLE	Solar Connectors Wire to Board W/ Lock Type (1000V)
X.	±0.60	X.	±5°	UNITS	mm	SHEET SIZE	A4
.X	±0.38	.X	±3°			SERIES	DS1162-01 SERIES
.XX	±0.25	.XX	±2°				
DRAWING TYPE		CUSTOMER		晨翔电子有限公司 CONNFLY CONNELY ELECTRONIC CO. LTD			
SCALE		1:1					
DRAWING NO.		C-DS1162-01-XXXXX-B					

The information provided herein is from CONNELY Electronic Co., Ltd. and is confidential. Any disclosure to a party other than the recipient is prohibited. The intellectual properties and its rights contained herein, including but not limited to, trademarks, patents, copyrights, trade secrets, and technical know-how, are owned exclusively by CONNELY or its affiliates. Unauthorized use of this information in any format or manner. CONNELY may enforce its intellectual property rights at its own discretion; failures or delays to exercise such rights does not constitute a waiver of such rights.

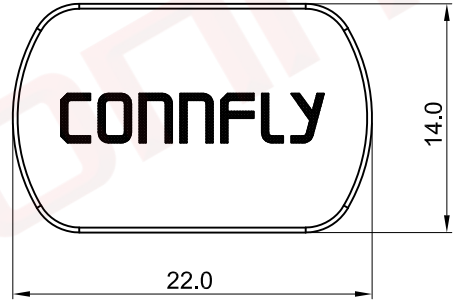
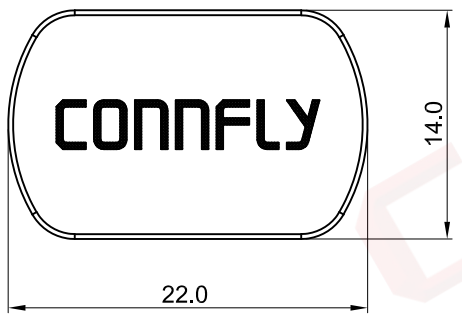
1 2 3 4 5 6 7 8

REV.	DESCRIPTION	DRAWN	CHECKED	APPROVED
A	NEW RELEASE	JLZ 09/24/23'		
B	DRAWING UPDATE	JLZ 09/28/24'		



Socket

Plug



Notes:

Material:

1. Cap Material: Silicone rubber, Black or Blue.

Temperature: -40°C~+90°C.

Product Number Code:

B - DS1162-01 - X X 0 0 0

- Cap color
- B: Black
- L: Blue
- Contact type
- P: Plug
- S: Socket

GENERAL TOLERANCE		ANGLE TOLERANCE	
X.	±0.60	X.	±5°
.X	±0.38	.X	±3°
.XX	±0.25	.XX	±2°

PROJECTION		TITLE	Anti-Dust Cap For MC4 Connector
UNITS	mm	SERIES	DS1162-01 SERIES
SHEET SIZE	A4		

DRAWING TYPE	CUSTOMER		
SCALE	1:1	SHEET	5 OF 5
DRAWING NO.	C-DS1162-01-XXXXX-B		

晨翔电子有限公司
CONNFLY CONNELY ELECTRONIC CO. LTD

1 2 3 4 5 6 7 8