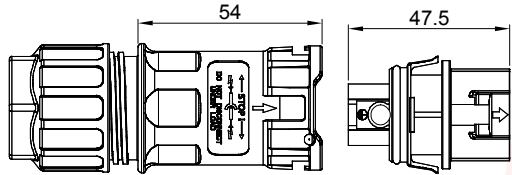
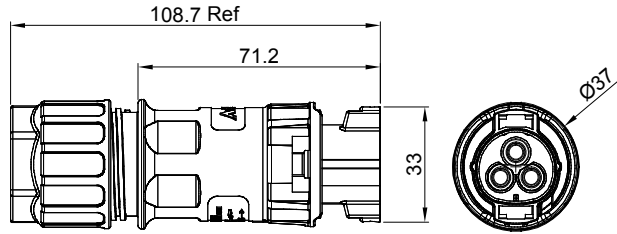
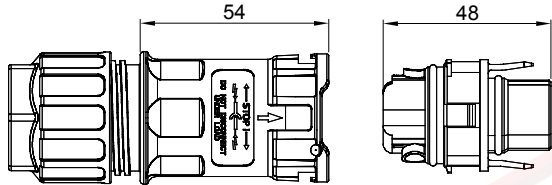
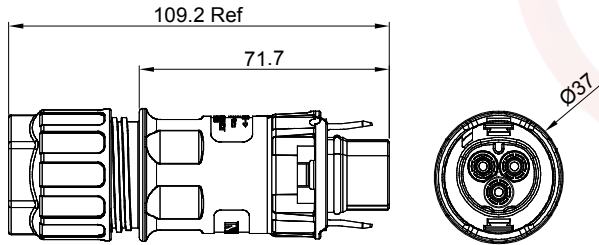


The information provided herein is from CONNELY Electronic Co., Ltd. and is confidential. Any disclosure to a party other than the recipient is prohibited. The intellectual properties and its rights contained herein, including but not limited to, trademarks, patents, copyrights, trade secrets, and technical know-how, are owned exclusively by CONNELY or its affiliates. Unauthorized use of this information in any format or manner. CONNELY may enforce its intellectual property rights at its own discretion; failures or delays to exercise such rights does not constitute a waiver of such rights.

Female



Male



(Series Image-Reference Only)

| REV. | DESCRIPTION | DRAWN | CHECKED | APPROVED |
|------|-------------|---------------|---------|----------|
| A | NEW RELEASE | JLZ 08/30/23' | | |
| | | | | |
| | | | | |

Notes:

Specifications:

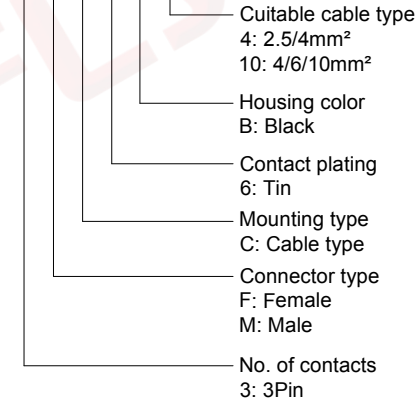
- Contact Resistance: 0.25mΩ Max.
- Insulation Resistance: 1000MΩ Min.
- Dielectric Withstanding Voltage: 4000V AC(rms) For 1 Minute.
- Current Rating: 50A Max(10mm²).
- Voltage Rating: 500V AC.
- Temperature: -40°C~+85°C.
- Cable size: 2.5~10mm².
- Waterproof rated: IP68.

Materials:

- Insulating material: Thermoplastic, UL 94 V-0.
- Contact: Copper, Tin plated.
- Sealing: Rubber.

Product Number Code:

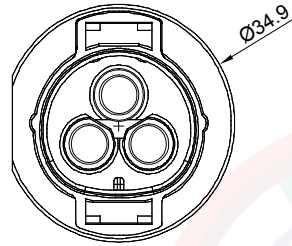
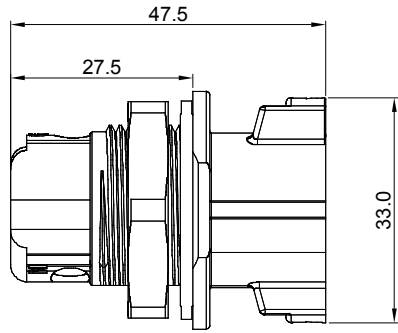
DS1162-03 - X X X X X X



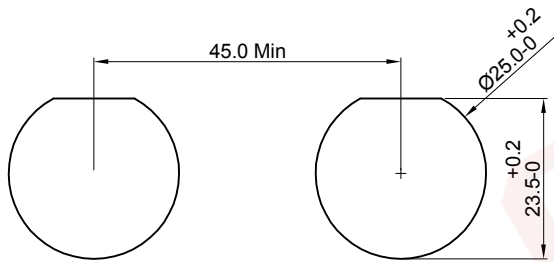
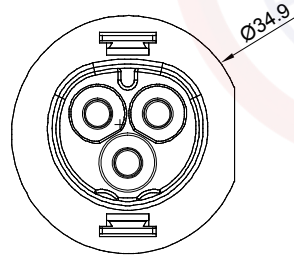
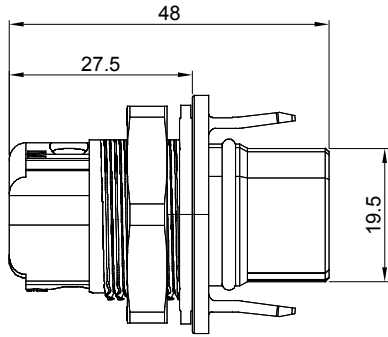
| | | | | | | | | | | |
|-------------------|-------|---------------------|-------|--|----|--------|-----------------------------|--|--------|--|
| GENERAL TOLERANCE | | ANGLE TOLERANCE | | PROJECTION | | TITLE | 3P AC Connectors Cable Type | | | |
| X. | ±0.60 | X. | ±5° | UNITS | mm | SERIES | DS1162-03 SERIES | | | |
| .X | ±0.38 | .X | ±3° | SHEET SIZE | A4 | | | | | |
| .XX | ±0.25 | .XX | ±2° | | | | | | | |
| DRAWING TYPE | | CUSTOMER | | 晨翔电子有限公司 CONNELY CONNELY ELECTRONIC CO. LTD | | | | | | |
| SCALE | | 1:1 | SHEET | | | | | | 1 OF 6 | |
| DRAWING NO. | | C-DS1162-03-XXXXX-A | | | | | | | | |

The information provided herein is from CONNELY Electronic Co., Ltd. and is confidential. Any disclosure to a party other than the recipient is prohibited. The intellectual properties and its rights contained herein, including but not limited to, trademarks, patents, copyrights, trade secrets, and technical know-how, are owned exclusively by CONNELY or its affiliates. Unauthorized use of this information in any format or manner. CONNELY may enforce its intellectual property rights at its own discretion; failures or delays to exercise such rights does not constitute a waiver of such rights.

Female



Male



Panel size



(Series Image-Reference Only)

| REV. | DESCRIPTION | DRAWN | CHECKED | APPROVED |
|------|-------------|---------------|---------|----------|
| A | NEW RELEASE | JLZ 08/30/23' | | |
| | | | | |
| | | | | |

Notes:

Specifications:

- Contact Resistance: 0.25mΩ Max.
- Insulation Resistance: 1000MΩ Min.
- Dielectric Withstanding Voltage: 4000V AC(rms) For 1 Minute.
- Current Rating: 50A Max(10mm²).
- Voltage Rating: 500V AC.
- Temperature: -40°C~+85°C.
- Cable size: 2.5~10mm².
- Waterproof rated: IP68.

Materials:

- Insulating material: Thermoplastic, UL 94 V-0.
- Contact: Copper, Tin plated.
- Sealing: Rubber.

Product Number Code:

DS1162-03 - X X X X X X

- Cuitable cable type
- 2: 2.5mm² 4: 4mm²
- 6: 6mm² 10: 10mm²
- Housing color
- B: Black
- Contact plating
- 6: Tin
- Mounting type
- V: Panel type
- Connector type
- F: Female
- M: Male
- No. of contacts
- 3: 3Pin

| GENERAL TOLERANCE | | ANGLE TOLERANCE | |
|-------------------|-------|-----------------|-----|
| X. | ±0.60 | X. | ±5° |
| .X | ±0.38 | .X | ±3° |
| .XX | ±0.25 | .XX | ±2° |

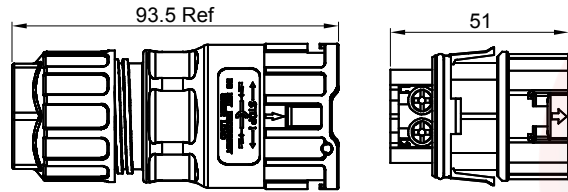
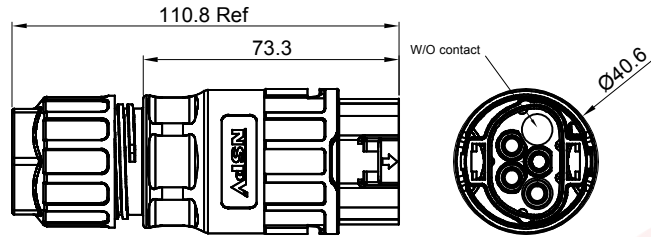
| DRAWING TYPE | CUSTOMER | | |
|--------------|---------------------|-------|--------|
| SCALE | 1:1 | SHEET | 2 OF 6 |
| DRAWING NO. | C-DS1162-03-XXXXX-A | | |

| PROJECTION | TITLE |
|------------|-----------------------------|
| | 3P AC Connectors Panel Type |
| UNITS | mm |
| SHEET SIZE | A4 |
| SERIES | DS1162-03 SERIES |

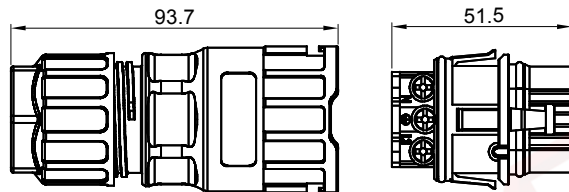
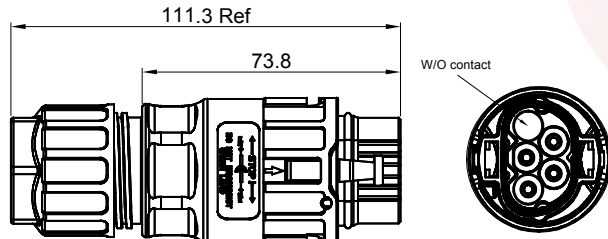
晨翔电子有限公司
CONNELY CONNELY ELECTRONIC CO. LTD

The information provided herein is from CONNELY Electronic Co., Ltd. and is confidential. Any disclosure to a party other than the recipient is prohibited. The intellectual properties and its rights contained herein, including but not limited to, trademarks, patents, copyrights, trade secrets, and technical know-how, are owned exclusively by CONNELY or its affiliates. Unauthorized use of this information in any format or manner. CONNELY may enforce its intellectual property rights at its own discretion; failures or delays to exercise such rights does not constitute a waiver of such rights.

Female



Male



(Series Image-Reference Only)

| REV. | DESCRIPTION | DRAWN | CHECKED | APPROVED |
|------|-------------|---------------|---------|----------|
| A | NEW RELEASE | JLZ 08/30/23' | | |
| | | | | |
| | | | | |

Notes:

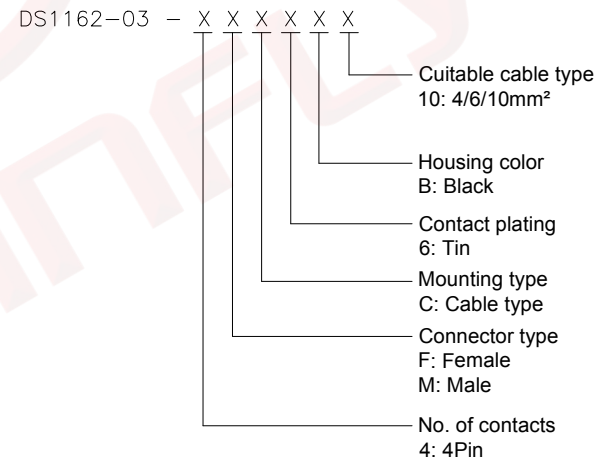
Specifications:

- Contact Resistance: 0.25mΩ Max.
- Insulation Resistance: 1000MΩ Min.
- Dielectric Withstanding Voltage: 4000V AC(rms) For 1 Minute.
- Current Rating: 50A Max(10mm²).
- Voltage Rating: 500V AC.
- Temperature: -40°C~+85°C.
- Cable size: 4~10mm².
- Waterproof rated: IP68.

Materials:

- Insulating material: Thermoplastic, UL 94 V-0.
- Contact: Copper, Tin plated.
- Sealing: Rubber.

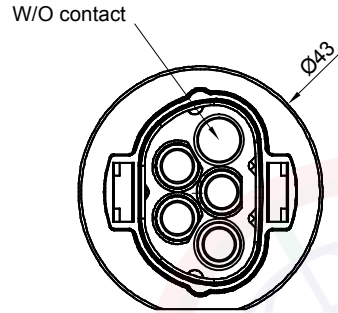
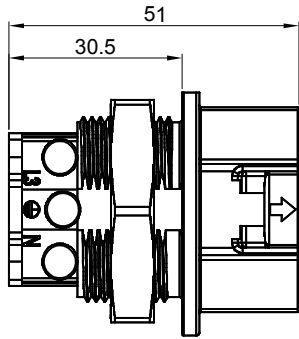
Product Number Code:



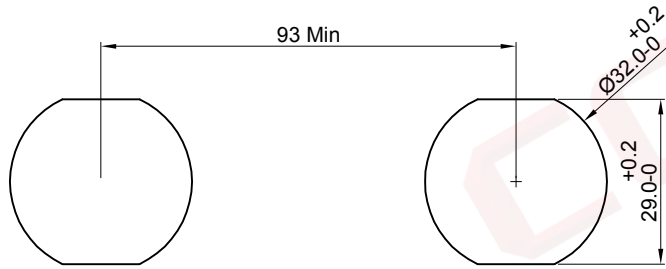
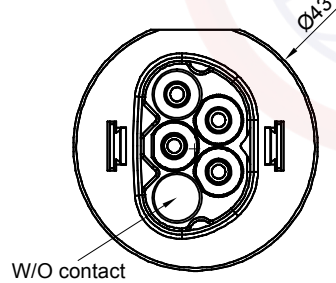
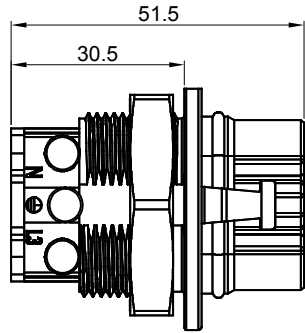
| | | | | | | | | | | |
|-------------------|-------|---------------------|-------|--|----|--------|-----------------------------|--|--------|--|
| GENERAL TOLERANCE | | ANGLE TOLERANCE | | PROJECTION | | TITLE | 4P AC Connectors Cable Type | | | |
| X. | ±0.60 | X. | ±5° | UNITS | mm | SERIES | DS1162-03 SERIES | | | |
| .X | ±0.38 | .X | ±3° | SHEET SIZE | A4 | | | | | |
| .XX | ±0.25 | .XX | ±2° | | | | | | | |
| DRAWING TYPE | | CUSTOMER | | 晨翔电子有限公司 CONNELY CONNELY ELECTRONIC CO. LTD | | | | | | |
| SCALE | | 1:1 | SHEET | | | | | | 3 OF 6 | |
| DRAWING NO. | | C-DS1162-03-XXXXX-A | | | | | | | | |

The information provided herein is from CONNELY Electronic Co., Ltd. and is confidential. Any disclosure to a party other than the recipient is prohibited. The intellectual properties and its rights contained herein, including but not limited to, trademarks, patents, copyrights, trade secrets, and technical know-how, are owned exclusively by CONNELY or its affiliates. Unauthorized use of this information in any format or manner. CONNELY may enforce its intellectual property rights at its own discretion; failures or delays to exercise such rights does not constitute a waiver of such rights.

Female



Male



Panel size



(Series Image-Reference Only)

| REV. | DESCRIPTION | DRAWN | CHECKED | APPROVED |
|------|-------------|---------------|---------|----------|
| A | NEW RELEASE | JLZ 08/30/23' | | |
| | | | | |
| | | | | |

Notes:

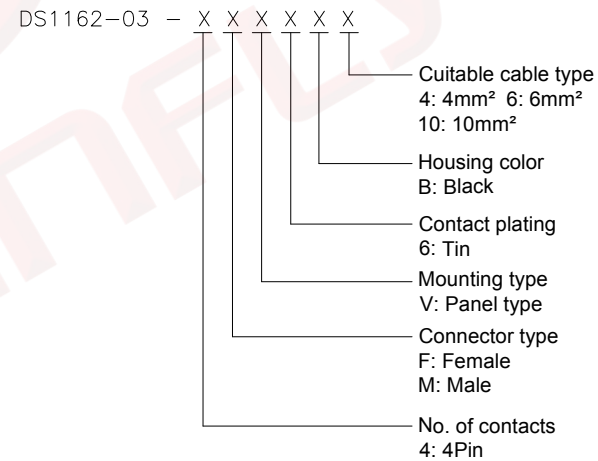
Specifications:

- Contact Resistance: 0.25mΩ Max.
- Insulation Resistance: 1000MΩ Min.
- Dielectric Withstanding Voltage: 4000V AC(rms) For 1 Minute.
- Current Rating: 50A Max(10mm²).
- Voltage Rating: 500V AC.
- Temperature: -40°C~+85°C.
- Cable size: 4~10mm².
- Waterproof rated: IP68.

Materials:

- Insulating material: Thermoplastic, UL 94 V-0.
- Contact: Copper, Tin plated.
- Sealing: Rubber.

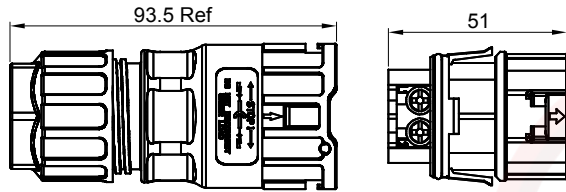
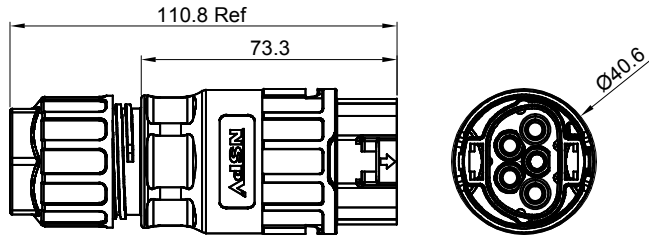
Product Number Code:



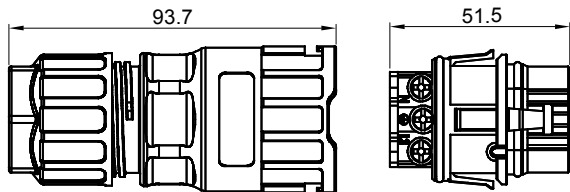
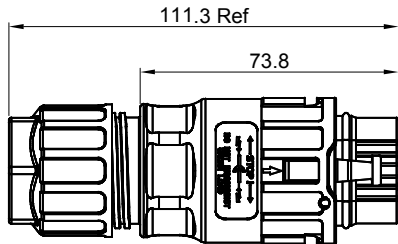
| | | | | | | | | | | |
|-------------------|-------|---------------------|-------|------------|--|--------|-----------------------------|--|--------|--|
| GENERAL TOLERANCE | | ANGLE TOLERANCE | | PROJECTION | | TITLE | 4P AC Connectors Panel Type | | | |
| X. | ±0.60 | X. | ±5° | UNITS | mm | SERIES | DS1162-03 SERIES | | | |
| .X | ±0.38 | .X | ±3° | SHEET SIZE | A4 | | | | | |
| .XX | ±0.25 | .XX | ±2° | | | | | | | |
| DRAWING TYPE | | CUSTOMER | | | 晨翔电子有限公司 CONNFLY CONNELY ELECTRONIC CO. LTD | | | | | |
| SCALE | | 1:1 | SHEET | | | | | | 4 OF 6 | |
| DRAWING NO. | | C-DS1162-03-XXXXX-A | | | | | | | | |

The information provided herein is from CONNELY Electronic Co., Ltd. and is confidential. Any disclosure to a party other than the recipient is prohibited. The intellectual properties and its rights contained herein, including but not limited to, trademarks, patents, copyrights, trade secrets, and technical know-how, are owned exclusively by CONNELY or its affiliates. Unauthorized use of this information in any format or manner. CONNELY may enforce its intellectual property rights at its own discretion; failures or delays to exercise such rights does not constitute a waiver of such rights.

Female



Male



(Series Image-Reference Only)

| REV. | DESCRIPTION | DRAWN | CHECKED | APPROVED |
|------|-------------|---------------|---------|----------|
| A | NEW RELEASE | JLZ 08/30/23' | | |
| | | | | |
| | | | | |

Notes:

Specifications:

- Contact Resistance: 0.25mΩ Max.
- Insulation Resistance: 1000MΩ Min.
- Dielectric Withstanding Voltage: 4000V AC(rms) For 1 Minute.
- Current Rating: 50A Max(10mm²).
- Voltage Rating: 500V AC.
- Temperature: -40°C~+85°C.
- Cable size: 4~10mm².
- Waterproof rated: IP68.

Materials:

- Insulating material: Thermoplastic,UL 94 V-0.
- Contact: Copper,Tin plated.
- Sealing: Rubber.

Product Number Code:

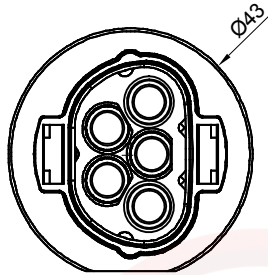
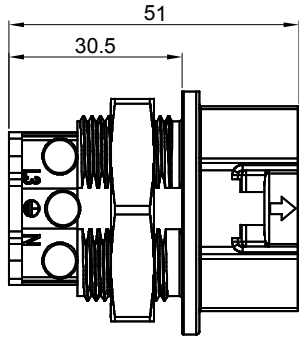
DS1162-03 - X X X X X X

- X: Suitable cable type
10: 4/6/10mm²
- X: Housing color
B: Black
- X: Contact plating
6: Tin
- X: Mounting type
C: Cable type
- X: Connector type
F: Female
M: Male
- X: No. of contacts
5: 5Pin

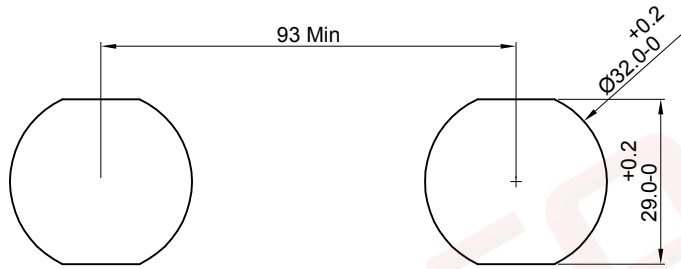
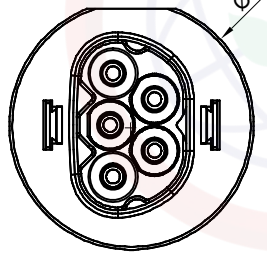
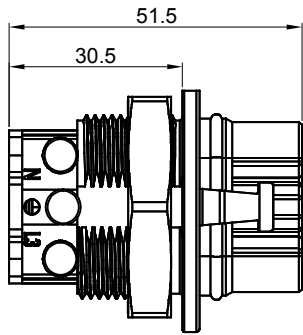
| | | | | | | | | | | |
|-------------------|-------|---------------------|-------|------------|--|--------|-----------------------------|--|--------|--|
| GENERAL TOLERANCE | | ANGLE TOLERANCE | | PROJECTION | | TITLE | 5P AC Connectors Cable Type | | | |
| X. | ±0.60 | X. | ±5° | UNITS | mm | SERIES | DS1162-03 SERIES | | | |
| .X | ±0.38 | .X | ±3° | SHEET SIZE | A4 | | | | | |
| .XX | ±0.25 | .XX | ±2° | | | | | | | |
| DRAWING TYPE | | CUSTOMER | | | 晨翔电子有限公司 CONNELY CONNELY ELECTRONIC CO. LTD | | | | | |
| SCALE | | 1:1 | SHEET | | | | | | 5 OF 6 | |
| DRAWING NO. | | C-DS1162-03-XXXXX-A | | | | | | | | |

The information provided herein is from CONNELY Electronic Co., Ltd. and is confidential. Any disclosure to a party other than the recipient is prohibited. The intellectual properties and its rights contained herein, including but not limited to, trademarks, patents, copyrights, trade secrets, and technical know-how, are owned exclusively by CONNELY or its affiliates. Unauthorized use of this information in any format or manner. CONNELY may enforce its intellectual property rights at its own discretion; failures or delays to exercise such rights does not constitute a waiver of such rights.

Female



Male



Panel size



(Series Image-Reference Only)

| REV. | DESCRIPTION | DRAWN | CHECKED | APPROVED |
|------|-------------|---------------|---------|----------|
| A | NEW RELEASE | JLZ 08/30/23' | | |
| | | | | |
| | | | | |

Notes:

Specifications:

- Contact Resistance: 0.25mΩ Max.
- Insulation Resistance: 1000MΩ Min.
- Dielectric Withstanding Voltage: 4000V AC(rms) For 1 Minute.
- Current Rating: 50A Max(10mm²).
- Voltage Rating: 500V AC.
- Temperature: -40°C~+85°C.
- Cable size: 4~10mm².
- Waterproof rated: IP68.

Materials:

- Insulating material: Thermoplastic,UL 94 V-0.
- Contact: Copper,Tin plated.
- Sealing: Rubber.

Product Number Code:

DS1162-03 - X X X X X X

- Cuitable cable type
4: 4mm² 6: 6mm²
10: 10mm²
- Housing color
B: Black
- Contact plating
6: Tin
- Mounting type
V: Panel type
- Connector type
F: Female
M: Male
- No. of contacts
5: 5Pin

| | | | | | | | | | |
|-------------------|-------|---------------------|-------|------------|--------|--------|-----------------------------|--|--|
| GENERAL TOLERANCE | | ANGLE TOLERANCE | | PROJECTION | | TITLE | 5P AC Connectors Panel Type | | |
| X. | ±0.60 | X. | ±5° | UNITS | mm | SERIES | DS1162-03 SERIES | | |
| .X | ±0.38 | .X | ±3° | SHEET SIZE | A4 | | | | |
| .XX | ±0.25 | .XX | ±2° | | | | | | |
| DRAWING TYPE | | CUSTOMER | | | | | | | |
| SCALE | | 1:1 | SHEET | | 6 OF 6 | | | | |
| DRAWING NO. | | C-DS1162-03-XXXXX-A | | | | | | | |

晨翔电子有限公司
CONNFLY CONNELY ELECTRONIC CO. LTD