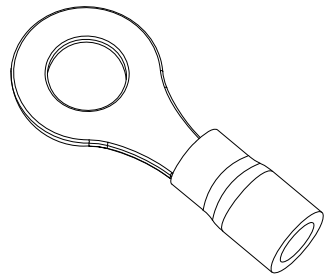
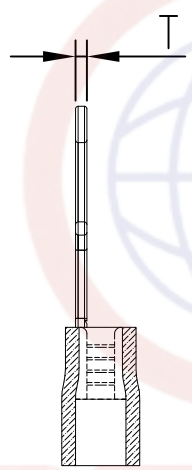
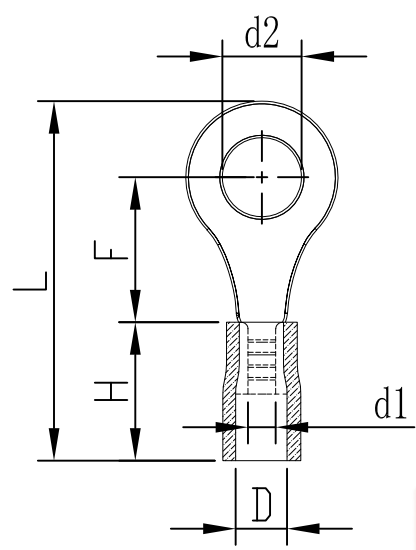


|      |     |
|------|-----|
| Dept | Qty |
| DC   | 1   |
| ED   | 1   |
| IE   | 1   |
| ISO  | 1   |
| PD   | 1   |
| R&D  | 1   |
| SD   | 1   |
| QA   | 1   |
| QC   | 1   |
| QE   | 1   |

| REV. | DESCRIPTION | DRAWN         | CHECKED | APPROVED |
|------|-------------|---------------|---------|----------|
| A    | NEW RELEASE | WPY 10/17/24' |         |          |
|      |             |               |         |          |
|      |             |               |         |          |

The information provided herein is from CONNFLY Electronic Co., Ltd. and is confidential. Any disclosure to a party other than the recipient is prohibited. The intellectual properties and its rights contained herein, including but not limited to, trademarks, patents, copyrights, trade secrets, and technical know-how, are owned exclusively by CONNFLY or its affiliates. Unauthorized use or modification is strictly prohibited without prior written consent from CONNFLY. All intellectual properties provided herein are for reference purposes only and does not constitute authorization of its use in any format or manner. CONNFLY may enforce its intellectual property rights at its own discretion; failures or delays to exercise such rights does not constitute a waiver of such rights.



**Notes:**

- 1.Maximum voltage: 600V
- 2.Maximum temperature resistance: 75 °C
- 3.Sheath color: red, yellow, blue

**Material:**

- 1.Terminals material: Copper
- 2.Nsulation material: PVC
- 3.Plating: Tin plated

**Product Number Code:**

DS1162-75 - X X X-X X

- Tongue width:  
S:S
- Stud Size(Dim d2):  
4:4
- Wire Size:  
1.25:1.25 2:2 5.5:5.5
- Type of insulation:  
V: Vinylinsulated singlecrimp terminal
- Type of terminals:  
R: Ring Terminals

| GENERAL TOLERANCE |       | ANGLE TOLERANCE |     |
|-------------------|-------|-----------------|-----|
| X.                | ±0.60 | X.              | ±5° |
| .X                | ±0.38 | .X              | ±3° |
| .XX               | ±0.25 | .XX             | ±2° |

|            |    |        |  |
|------------|----|--------|--|
| PROJECTION |    | TITLE  | RV Circular pre insulated terminal block |
| UNITS      | mm |        |  |
| SHEET SIZE | A4 | SERIES | DS1162-75 SERIES                         |

|              |                      |       |         |
|--------------|----------------------|-------|---------|
| DRAWING TYPE | CUSTOMER             |       |         |
| SCALE        | 1:1                  | SHEET | 1 OF 16 |
| DRAWING NO.  | C-DS1162-75-XXX-XX-A |       |         |

**晨翔电子有限公司**  
**CONNFLY CONNFLY ELECTRONIC CO. LTD**

|      |   |
|------|---|
| Dept |   |
| Qty  |   |
| DC   | 1 |
| ED   | 1 |
| IE   | 1 |
| ISO  | 1 |
| PD   | 1 |
| R&D  | 1 |
| SD   | 1 |
| QA   | 1 |
| QC   | 1 |
| QE   | 1 |

| REV. | DESCRIPTION | DRAWN         | CHECKED | APPROVED |
|------|-------------|---------------|---------|----------|
| A    | NEW RELEASE | WPY 10/17/24' |         |          |
|      |             |               |         |          |
|      |             |               |         |          |

The information provided herein is from CONNELY Electronic Co., Ltd. and is confidential. Any disclosure to a party other than the recipient is prohibited. The intellectual properties and its rights contained herein, including but not limited to, trademarks, patents, copyrights, trade secrets, and technical know-how, are owned exclusively by CONNELY or its affiliates. Unauthorized use or modification is strictly prohibited without prior written consent from CONNELY. All intellectual properties provided herein are for reference purposes only and does not constitute authorization of its use in any format or manner. CONNELY may enforce its intellectual property rights at its own discretion; failures or delays to exercise such rights does not constitute a waiver of such rights.

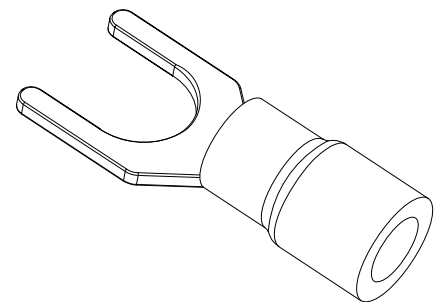
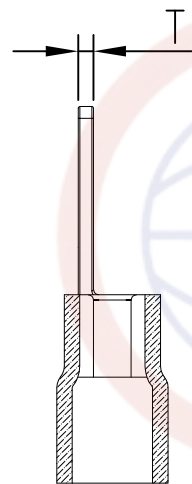
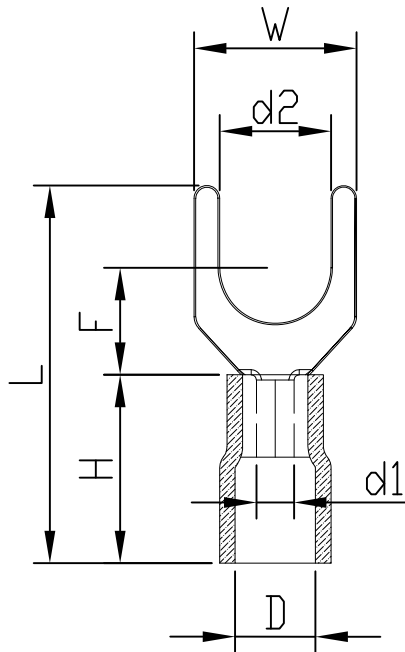
| ITEM NO.          | STUD SIZE |          | DIMENSION mm |     |     |      |    |     |     |     | QTY | COLOR  | EXPLANATION   |
|-------------------|-----------|----------|--------------|-----|-----|------|----|-----|-----|-----|-----|--------|---|
|                   | Metric    | American | d2           | W   | F   | L    | H  | d1  | D   | T   |     |        |   |
| DS-1162-SV1.25-4S | 4         | #8       | 4.3          | 6.4 | 6.5 | 21.2 | 10 | 1.7 | 4.2 | 0.7 | 20  | Red    | Wire range:0.5-1.5mm<br>A.W.G.:(22-16)<br>Max. current:Imax=19A |
| DS-1162-SV2-4S    | 4         | #8       | 4.3          | 6.4 | 6.5 | 21.2 | 10 | 2.3 | 4.7 | 0.8 | 20  | Blue   | Wire range:1.5-2.5mm<br>A.W.G.:(16-14)<br>Max. current:Imax=27A |
| DS-1162-SV5.5-4S  | 4         | #8       | 4.3          | 8.3 | 7   | 25.5 | 13 | 3.4 | 6.5 | 1   | 10  | Yellow | Wire range:4-6mm<br>A.W.G.:(12-10)<br>Max. current:Imax=48A     |

|                   |       |                      |        |  |    |       |  |  |
|-------------------|-------|----------------------|--------|--|----|-------|--|--|
| GENERAL TOLERANCE |       | ANGLE TOLERANCE      |        | PROJECTION   |    | TITLE | RV Circular pre insulated terminal block |  |
| X.                | ±0.60 | X.                   | ±5°    | UNITS  | mm | SHEET | DS1162-75 SERIES                         |  |
| .X                | ±0.38 | .X                   | ±3°    | SHEET SIZE   | A4 | SHEET | DS1162-75 SERIES                         |  |
| .XX               | ±0.25 | .XX                  | ±2°    | <b>晨翔电子有限公司</b><br><b>CONNELY CONNELY ELECTRONIC CO. LTD</b> |    |       |  |  |
| DRAWING TYPE      |       | CUSTOMER             |        |  |    |       |  |  |
| SCALE             | 1:1   | SHEET                | 1 OF 1 |  |    |       |  |  |
| DRAWING NO.       |       | C-DS1162-75-XXX-XX-A |        |  |    |       |  |  |

|      |   |
|------|---|
| Dept |   |
| Qty  |   |
| DC   | 1 |
| ED   | 1 |
| IE   | 1 |
| ISO  | 1 |
| PD   | 1 |
| R&D  | 1 |
| SD   | 1 |
| QA   | 1 |
| QC   | 1 |
| QE   | 1 |

| REV. | DESCRIPTION | DRAWN         | CHECKED | APPROVED |
|------|-------------|---------------|---------|----------|
| A    | NEW RELEASE | WPY 10/17/24' |         |          |
|      |             |               |         |          |
|      |             |               |         |          |

The information provided herein is from CONNFLY Electronic Co., Ltd. and is confidential. Any disclosure to a party other than the recipient is prohibited. The intellectual properties and its rights contained herein, including but not limited to, trademarks, patents, copyrights, trade secrets, and technical know-how, are owned exclusively by CONNFLY or its affiliates. Unauthorized use or modification is strictly prohibited without prior written consent from CONNFLY. All intellectual properties provided herein are for reference purposes only and does not constitute authorization of its use in any format or manner. CONNFLY may enforce its intellectual property rights at its own discretion; failures or delays to exercise such rights does not constitute a waiver of such rights.



**Notes:**

- 1. Maximum voltage: 600V
- 2. Maximum temperature resistance: 75 °C
- 3. Sheath color: red, yellow, blue

**Material:**

- 1. Terminals material: Copper
- 2. Insulation material: PVC
- 3. Plating: Tin plated

**Product Number Code:**

DS1162-75 - X X X-X X

- Tongue width: S:S
- Stud Size(Dim d2): 4:4
- Wire Size: 1.25:1.25 2:2 5.5: 5.5
- Type of insulation: V: Vinylinsulated singlecrimp terminal
- Type of terminals: S: Spade Terminals

| GENERAL TOLERANCE |                      | ANGLE TOLERANCE |         |
|-------------------|----------------------|-----------------|---------|
| X.                | ±0.60                | X.              | ±5°     |
| .X                | ±0.38                | .X              | ±3°     |
| .XX               | ±0.25                | .XX             | ±2°     |
| DRAWING TYPE      |                      | CUSTOMER        |         |
| SCALE             | 1:1                  | SHEET           | 3 OF 16 |
| DRAWING NO.       | C-DS1162-75-XXX-XX-A |                 |         |

| PROJECTION |    | TITLE  | SV Fork shaped pre insulated terminal block |
|------------|----|--------|---|
| UNITS      | mm |        |   |
| SHEET SIZE | A4 | SERIES | DS1162-75 SERIES                            |

**晨翔电子有限公司**  
**CONNFLY CONNFLY ELECTRONIC CO. LTD**

|      |   |
|------|---|
| Dept |   |
| Qty  |   |
| DC   | 1 |
| ED   | 1 |
| IE   | 1 |
| ISO  | 1 |
| PD   | 1 |
| R&D  | 1 |
| SD   | 1 |
| QA   | 1 |
| QC   | 1 |
| QE   | 1 |

| REV. | DESCRIPTION | DRAWN         | CHECKED | APPROVED |
|------|-------------|---------------|---------|----------|
| A    | NEW RELEASE | WPY 10/17/24' |         |          |
|      |             |               |         |          |
|      |             |               |         |          |


The information provided herein is from CONNELY Electronic Co., Ltd. and is confidential. Any disclosure to a party other than the recipient is prohibited. The intellectual properties and its rights contained herein, including but not limited to, trademarks, patents, copyrights, trade secrets, and technical know-how, are owned exclusively by CONNELY or its affiliates. Unauthorized use or modification is strictly prohibited without prior written consent from CONNELY. All intellectual properties provided herein are for reference purposes only and does not constitute authorization of its use in any format or manner. CONNELY may enforce its intellectual property rights at its own discretion; failures or delays to exercise such rights does not constitute a waiver of such rights.

| ITEM NO.          | STUD SIZE |          | DIMENSION mm |     |     |      |    |     |     |     | QTY | COLOR  | EXPLANATION   |
|-------------------|-----------|----------|--------------|-----|-----|------|----|-----|-----|-----|-----|--------|---|
|                   | Metric    | American | d2           | W   | F   | L    | H  | d1  | D   | T   |     |        |   |
| DS-1162-SV1.25-4S | 4         | #8       | 4.3          | 6.4 | 6.5 | 21.2 | 10 | 1.7 | 4.2 | 0.7 | 20  | Red    | Wire range:0.5-1.5mm<br>A.W.G.:(22-16)<br>Max. current:Imax=19A |
| DS-1162-SV2-4S    | 4         | #8       | 4.3          | 6.4 | 6.5 | 21.2 | 10 | 2.3 | 4.7 | 0.8 | 20  | Blue   | Wire range:1.5-2.5mm<br>A.W.G.:(16-14)<br>Max. current:Imax=27A |
| DS-1162-SV5.5-4S  | 4         | #8       | 4.3          | 8.3 | 7   | 25.5 | 13 | 3.4 | 6.5 | 1   | 10  | Yellow | Wire range:4-6mm<br>A.W.G.:(12-10)<br>Max. current:Imax=48A     |

| GENERAL TOLERANCE |       | ANGLE TOLERANCE |     |
|-------------------|-------|-----------------|-----|
| X.                | ±0.60 | X.              | ±5° |
| .X                | ±0.38 | .X              | ±3° |
| .XX               | ±0.25 | .XX             | ±2° |

|            |    |        |   |
|------------|----|--------|---|
| PROJECTION |    | TITLE  | SV Fork shaped pre insulated terminal block |
| UNITS      | mm | SHEET  | 4 OF 16                                     |
| SHEET SIZE | A4 | SERIES | DS1162-75 SERIES                            |

|              |                      |
|--------------|----------------------|
| DRAWING TYPE | CUSTOMER             |
| SCALE        | 1:1                  |
| DRAWING NO.  | C-DS1162-75-XXX-XX-A |

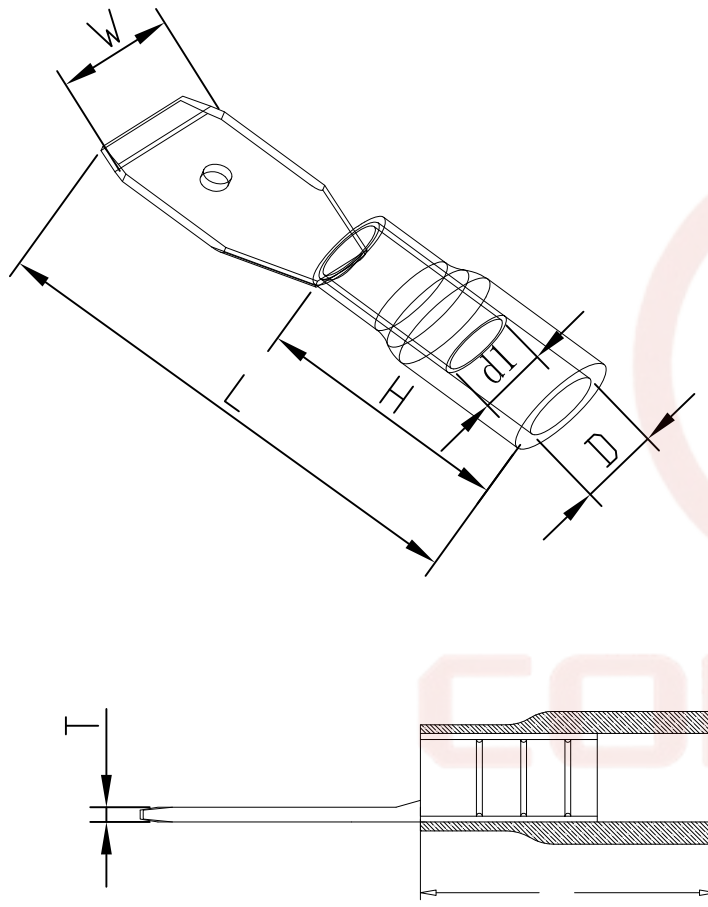


**晨翔电子有限公司**  
**CONNELY CONNELY ELECTRONIC CO. LTD**

|      |   |
|------|---|
| Dept |   |
| Qty  |   |
| DC   | 1 |
| ED   | 1 |
| IE   | 1 |
| ISO  | 1 |
| PD   | 1 |
| R&D  | 1 |
| SD   | 1 |
| QA   | 1 |
| QC   | 1 |
| QE   | 1 |

The information provided herein is from CONNELY Electronic Co., Ltd. and is confidential. Any disclosure to a party other than the recipient is prohibited. The intellectual properties and its rights contained herein, including but not limited to, trademarks, patents, copyrights, trade secrets, and technical know-how, are owned exclusively by CONNELY or its affiliates. Unauthorized use or its modification is strictly prohibited without prior written consent from CONNELY. All intellectual properties provided herein are for reference purposes only and does not constitute authorization of its use in any format or manner. CONNELY may enforce its intellectual property rights at its own discretion; failures or delays to exercise such rights does not constitute a waiver of such rights.

| REV. | DESCRIPTION | DRAWN         | CHECKED | APPROVED |
|------|-------------|---------------|---------|----------|
| A    | NEW RELEASE | WPY 10/17/24' |         |          |
|      |             |               |         |          |
|      |             |               |         |          |



**Notes:**  
 1. Maximum voltage: 600V  
 2. Maximum temperature resistance: 75 °C  
 3. Sheath color: red, yellow, blue

**Material:**  
 1. Terminals material: Copper  
 2. Insulation material: PVC  
 3. Plating: Tin plated

**Product Number Code:**

DS1162-75 - X X X-X

- Tab Size: 250:0.8x6.35
- Wire Size: 1.25:1.25 2:2 5.5: 5.5
- Type of insulation: D: Vinylinsulated double crimp terminal
- Type of terminals: MD: Male Disconnects

| GENERAL TOLERANCE |       | ANGLE TOLERANCE |     |
|-------------------|-------|-----------------|-----|
| X.                | ±0.60 | X.              | ±5° |
| .X                | ±0.38 | .X              | ±3° |
| .XX               | ±0.25 | .XX             | ±2° |

|            |    |        |   |
|------------|----|--------|---|
| PROJECTION |    | TITLE  | MDD Public pre insulated terminal block |
| UNITS      | mm | SHEET  | 5 OF 16                                 |
| SHEET SIZE | A4 | SERIES | DS1162-75 SERIES                        |

|              |                     |
|--------------|---------------------|
| DRAWING TYPE | CUSTOMER            |
| SCALE        | 1:1                 |
| DRAWING NO.  | C-DS1162-75-XXX-X-A |

**晨翔电子有限公司**  
**CONNELY CONNELY ELECTRONIC CO. LTD**

|      |   |
|------|---|
| Dept |   |
| Qty  |   |
| DC   | 1 |
| ED   | 1 |
| IE   | 1 |
| ISO  | 1 |
| PD   | 1 |
| R&D  | 1 |
| SD   | 1 |
| QA   | 1 |
| QC   | 1 |
| QE   | 1 |

|      |             |               |         |          |
|------|-------------|---------------|---------|----------|
| REV. | DESCRIPTION | DRAWN         | CHECKED | APPROVED |
| A    | NEW RELEASE | WPY 10/17/24' |         |          |
|      |             |               |         |          |
|      |             |               |         |          |

The information provided herein is from CONNELY Electronic Co., Ltd. and is confidential. Any disclosure to a party other than the recipient is prohibited. The intellectual properties and its rights contained herein, including but not limited to, trademarks, patents, copyrights, trade secrets, and technical know-how, are owned exclusively by CONNELY or its affiliates. Unauthorized use or modification is strictly prohibited without prior written consent from CONNELY. All intellectual properties provided herein are for reference purposes only and does not constitute authorization of its use in any format or manner. CONNELY may enforce its intellectual property rights at its own discretion; failures or delays to exercise such rights does not constitute a waiver of such rights.

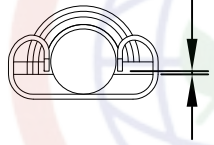
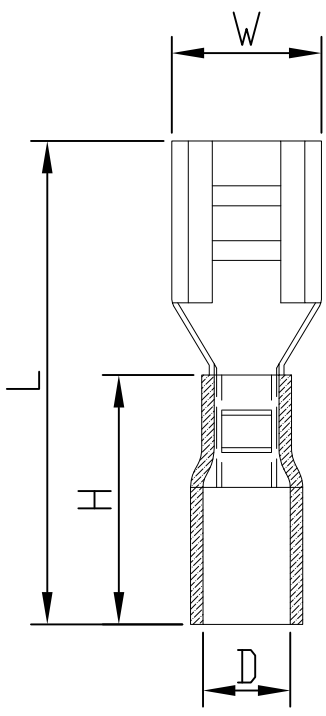
| ITEM NO.            | Nema Tab | Dimension mm |    |    |     |     |     | QTY | COLOR  | EXPLANATION   |
|---------------------|----------|--------------|----|----|-----|-----|-----|-----|--------|---|
|                     |          | W            | L  | H  | d1  | D   | T   |     |        |   |
| DS-1162-MDD1.25-250 | 0.8*6.35 | 6.35         | 21 | 10 | 1.7 | 3.7 | 0.4 | 20  | Red    | Wire range:0.5-1.5mm<br>A.W.G.:(22-16)<br>Max. current:Imax=10A |
| DS-1162-MDD2-250    | 0.8*6.35 | 6.35         | 21 | 10 | 2.3 | 4.3 | 0.4 | 20  | Blue   | Wire range:1.5-2.5mm<br>A.W.G.:(16-14)<br>Max. current:Imax=15A |
| DS-1162-MDD5.5-250  | 0.8*6.35 | 6.35         | 25 | 13 | 3.4 | 5.6 | 0.4 | 10  | Yellow | Wire range:4-6mm<br>A.W.G.:(12-10)<br>Max. current:Imax=24A     |

|                   |       |                     |         |  |    |        |   |  |
|-------------------|-------|---------------------|---------|--|----|--------|---|--|
| GENERAL TOLERANCE |       | ANGLE TOLERANCE     |         | PROJECTION   |    | TITLE  | MDD Public pre insulated terminal block |  |
| X.                | ±0.60 | X.                  | ±5°     | UNITS  | mm |        |   |  |
| .X                | ±0.38 | .X                  | ±3°     | SHEET SIZE   | A4 | SERIES | DS1162-75 SERIES                        |  |
| .XX               | ±0.25 | .XX                 | ±2°     | <b>晨翔电子有限公司</b><br><b>CONNELY CONNELY ELECTRONIC CO. LTD</b> |    |        |   |  |
| DRAWING TYPE      |       | CUSTOMER            |         |  |    |        |   |  |
| SCALE             | 1:1   | SHEET               | 6 OF 16 |  |    |        |   |  |
| DRAWING NO.       |       | C-DS1162-75-XXX-X-A |         |  |    |        |   |  |

|      |     |
|------|-----|
| Dept | Qty |
| DC   | 1   |
| ED   | 1   |
| IE   | 1   |
| ISO  | 1   |
| PD   | 1   |
| R&D  | 1   |
| SD   | 1   |
| QA   | 1   |
| QC   | 1   |
| QE   | 1   |

The information provided herein is from CONNFLY Electronic Co., Ltd. and is confidential. Any disclosure to a party other than the recipient is prohibited. The intellectual properties and its rights contained herein, including but not limited to, trademarks, patents, copyrights, trade secrets, and technical know-how, are owned exclusively by CONNFLY or its affiliates. Unauthorized use or modification is strictly prohibited without prior written consent from CONNFLY. All intellectual properties provided herein are for reference purposes only and does not constitute authorization of its use in any format or manner. CONNFLY may enforce its intellectual property rights at its own discretion; failures or delays to exercise such rights does not constitute a waiver of such rights.

| REV. | DESCRIPTION | DRAWN         | CHECKED | APPROVED |
|------|-------------|---------------|---------|----------|
| A    | NEW RELEASE | WPY 10/17/24' |         |          |
|      |             |               |         |          |
|      |             |               |         |          |



**Notes:**

1. Maximum voltage: 600V
2. Maximum temperature resistance: 75 °C
3. Sheath color: red, yellow, blue

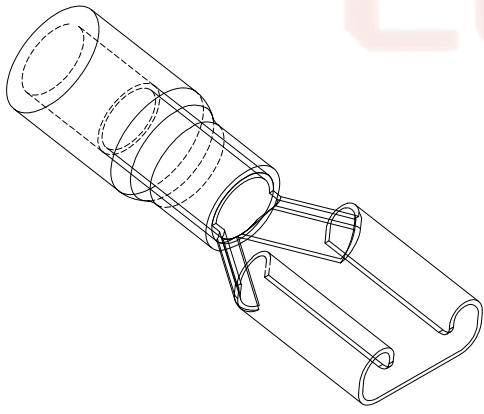
**Material:**

1. Terminals material: Copper
2. Insulation material: PVC
3. Plating: Tin plated

**Product Number Code:**

DS1162-75 - X X X-X

- Tab Size: 250:0.8x6.35mm
- Wire Size: 1.25:1.25 2:2 5.5: 5.5
- Type of insulation: D: Vinylinsulated double crimp terminal
- Type of terminals: FD: Female Disconnects



| GENERAL TOLERANCE | ANGLE TOLERANCE |
|-------------------|-----------------|
| X. ±0.60          | X. ±5°          |
| .X ±0.38          | .X ±3°          |
| .XX ±0.25         | .XX ±2°         |

|            |    |        |   |
|------------|----|--------|---|
| PROJECTION |    | TITLE  | FDD Female pre insulated terminal block |
| UNITS      | mm | SHEET  | 7 OF 16                                 |
| SHEET SIZE | A4 | SERIES | DS1162-75 SERIES                        |

|              |                     |       |         |
|--------------|---------------------|-------|---------|
| DRAWING TYPE | CUSTOMER            |       |         |
| SCALE        | 1:1                 | SHEET | 7 OF 16 |
| DRAWING NO.  | C-DS1162-75-XXX-X-A |       |         |

晨翔电子有限公司  
CONNFLY CONNFLY ELECTRONIC CO. LTD

|      |   |
|------|---|
| Dept |   |
| Qty  |   |
| DC   | 1 |
| ED   | 1 |
| IE   | 1 |
| ISO  | 1 |
| PD   | 1 |
| R&D  | 1 |
| SD   | 1 |
| QA   | 1 |
| QC   | 1 |
| QE   | 1 |

| REV. | DESCRIPTION | DRAWN         | CHECKED | APPROVED |
|------|-------------|---------------|---------|----------|
| A    | NEW RELEASE | WPY 10/17/24' |         |          |
|      |             |               |         |          |
|      |             |               |         |          |

The information provided herein is from CONNELY Electronic Co., Ltd. and is confidential. Any disclosure to a party other than the recipient is prohibited. The intellectual properties and its rights contained herein, including but not limited to, trademarks, patents, copyrights, trade secrets, and technical know-how, are owned exclusively by CONNELY or its affiliates. Unauthorized use or modification is strictly prohibited without prior written consent from CONNELY. All intellectual properties provided herein are for reference purposes only and does not constitute authorization of its use in any format or manner. CONNELY may enforce its intellectual property rights at its own discretion; failures or delays to exercise such rights does not constitute a waiver of such rights.

| ITEM NO.            | Nema Tab | Dimension mm |    |    |     |     |     | QTY | COLOR  | EXPLANATION   |
|---------------------|----------|--------------|----|----|-----|-----|-----|-----|--------|---|
|                     |          | W            | L  | H  | d1  | D   | T   |     |        |   |
| DS-1162-FDD1.25-250 | 0.8*6.35 | 7.5          | 21 | 10 | 1.7 | 3.7 | 0.4 | 20  | Red    | Wire range:0.5-1.5mm<br>A.W.G.:(22-16)<br>Max. current:Imax=10A |
| DS-1162-FDD2-250    | 0.8*6.35 | 7.5          | 21 | 10 | 2.3 | 4.3 | 0.4 | 20  | Blue   | Wire range:1.5-2.5mm<br>A.W.G.:(16-14)<br>Max. current:Imax=15A |
| DS-1162-FDD5.5-250  | 0.8*6.35 | 7.5          | 24 | 13 | 3.4 | 5.6 | 0.4 | 10  | Yellow | Wire range:4-6mm<br>A.W.G.:(12-10)<br>Max. current:Imax=24A     |

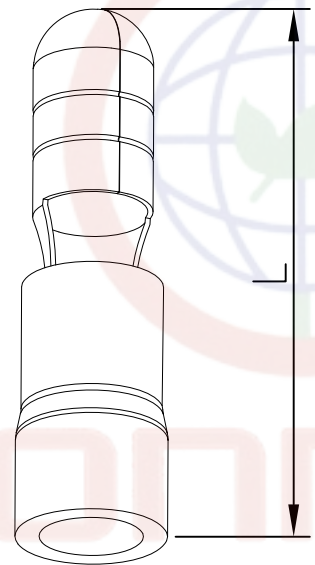
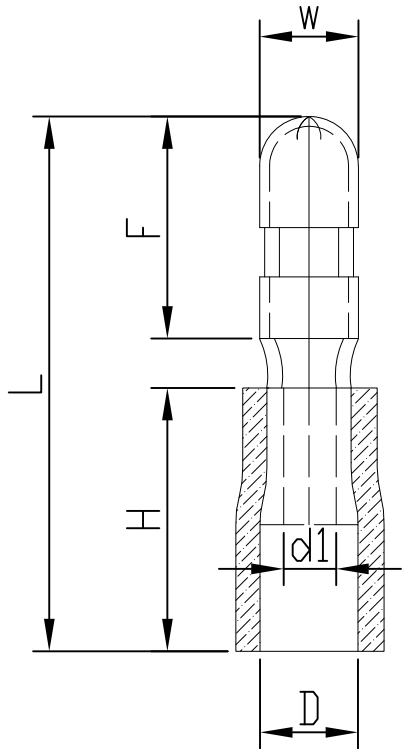
|                   |       |                     |         |  |    |        |   |  |
|-------------------|-------|---------------------|---------|--|----|--------|---|--|
| GENERAL TOLERANCE |       | ANGLE TOLERANCE     |         | PROJECTION   |    | TITLE  | FDD Female pre insulated terminal block |  |
| X.                | ±0.60 | X.                  | ±5°     | UNITS  | mm |        |   |  |
| .X                | ±0.38 | .X                  | ±3°     | SHEET SIZE   | A4 | SERIES | DS1162-75 SERIES                        |  |
| .XX               | ±0.25 | .XX                 | ±2°     | <b>晨翔电子有限公司</b><br><b>CONNELY CONNELY ELECTRONIC CO. LTD</b> |    |        |   |  |
| DRAWING TYPE      |       | CUSTOMER            |         |  |    |        |   |  |
| SCALE             | 1:1   | SHEET               | 8 OF 16 |  |    |        |   |  |
| DRAWING NO.       |       | C-DS1162-75-XXX-X-A |         |  |    |        |   |  |



|      |   |
|------|---|
| Dept |   |
| Qty  |   |
| DC   | 1 |
| ED   | 1 |
| IE   | 1 |
| ISO  | 1 |
| PD   | 1 |
| R&D  | 1 |
| SD   | 1 |
| QA   | 1 |
| QC   | 1 |
| QE   | 1 |

| REV. | DESCRIPTION | DRAWN         | CHECKED | APPROVED |
|------|-------------|---------------|---------|----------|
| A    | NEW RELEASE | WPY 10/17/24' |         |          |
|      |             |               |         |          |
|      |             |               |         |          |

The information provided herein is from CONNELY Electronic Co., Ltd. and is confidential. Any disclosure to a party other than the recipient is prohibited. The intellectual properties and its rights contained herein, including but not limited to, trademarks, patents, copyrights, trade secrets, and technical know-how, are owned exclusively by CONNELY or its affiliates. Unauthorized use or modification is strictly prohibited without prior written consent from CONNELY. All intellectual properties provided herein are for reference purposes only and does not constitute authorization of its use in any format or manner. CONNELY may enforce its intellectual property rights at its own discretion; failures or delays to exercise such rights does not constitute a waiver of such rights.



**Notes:**  
 Maximum voltage: 600V  
 Maximum temperature resistance: 75 °C  
 Sheath color: red, yellow, blue

**Material:**  
 Terminals material: Copper  
 Insulation material: PVC  
 Plating: Tin plated

**Product Number Code:**  
 DS1162-75 - X X X-X

- Tab Size(Dim W):  
156:4.0 195:5.0
- Wire Size:  
1.25:1.25 2:2 5.5: 5.5
- Type of insulation:  
D: Vinylinsulated double crimp terminal
- Type of terminals:  
MP: Male Bullet Disconnects

|                   |       |                     |               |   |    |            |   |
|-------------------|-------|---------------------|---------------|---|----|------------|---|
| GENERAL TOLERANCE |       | ANGLE TOLERANCE     |               | PROJECTION  |    | TITLE      | MPD Bullet shaped male fully insulated terminal block |
| X.                | ±0.60 | X.                  | ±5°           | UNITS   | mm | SHEET SIZE | A4  |
| .X                | ±0.38 | .X                  | ±3°           |   |    | SERIES     | DS1162-75 SERIES                                      |
| .XX               | ±0.25 | .XX                 | ±2°           |   |    |            |   |
| DRAWING TYPE      |       | CUSTOMER            |               | 晨翔电子有限公司<br><b>CONNELY CONNELY ELECTRONIC CO. LTD</b> |    |            |   |
| SCALE             |       | 1:1                 | SHEET 9 OF 16 |   |    |            |   |
| DRAWING NO.       |       | C-DS1162-75-XXX-X-A |               |   |    |            |   |

|      |   |
|------|---|
| Dept |   |
| Qty  |   |
| DC   | 1 |
| ED   | 1 |
| IE   | 1 |
| ISO  | 1 |
| PD   | 1 |
| R&D  | 1 |
| SD   | 1 |
| QA   | 1 |
| QC   | 1 |
| QE   | 1 |

|      |             |               |         |          |
|------|-------------|---------------|---------|----------|
| REV. | DESCRIPTION | DRAWN         | CHECKED | APPROVED |
| A    | NEW RELEASE | WPY 10/17/24' |         |          |
|      |             |               |         |          |
|      |             |               |         |          |

The information provided herein is from CONNELY Electronic Co., Ltd. and is confidential. Any disclosure to a party other than the recipient is prohibited. The intellectual properties and its rights contained herein, including but not limited to, trademarks, patents, copyrights, trade secrets, and technical know-how, are owned exclusively by CONNELY or its affiliates. Unauthorized use or modification is strictly prohibited without prior written consent from CONNELY. All intellectual properties provided herein are for reference purposes only and does not constitute authorization of its use in any format or manner. CONNELY may enforce its intellectual property rights at its own discretion; failures or delays to exercise such rights does not constitute a waiver of such rights.

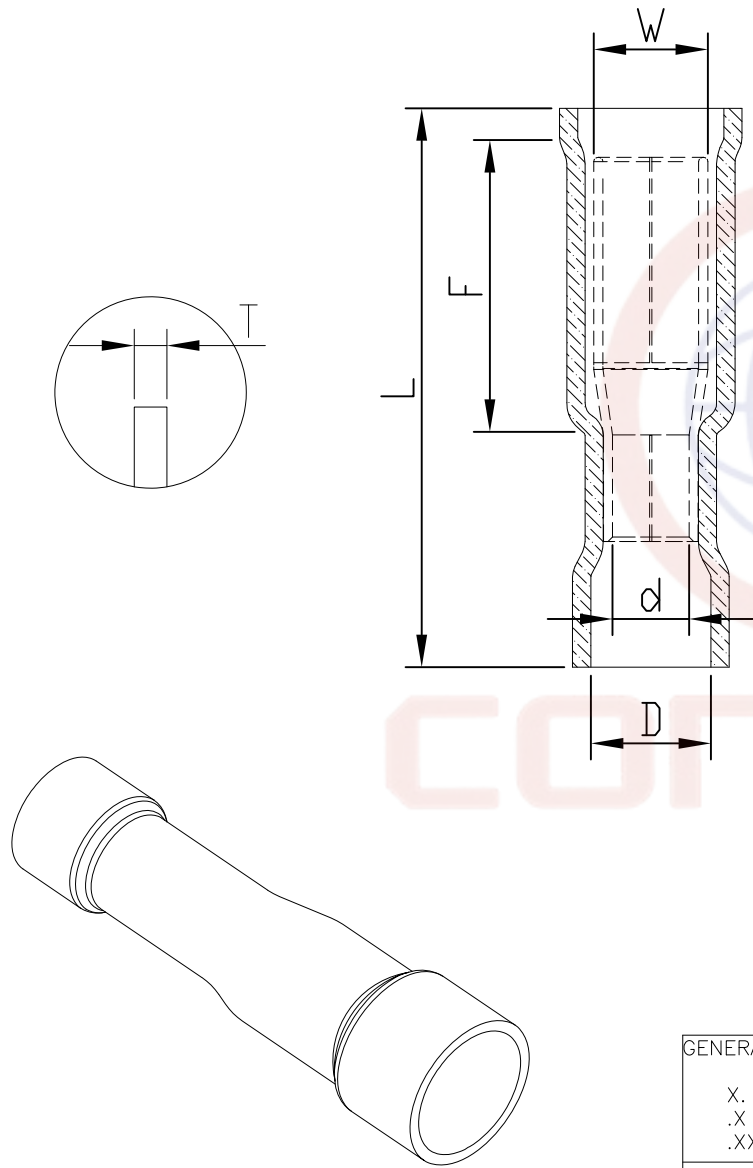
| ITEM NO.            | Dimension |   |    |    |     |     |     | QTY | COLOR  | EXPLANATION   |
|---------------------|-----------|---|----|----|-----|-----|-----|-----|--------|---|
|                     | W         | F | L  | H  | d1  | D   | T   |     |        |   |
| DS-1162-MPD1.25-156 | 4         | 9 | 21 | 10 | 1.7 | 3.8 | 0.4 | 20  | RED    | Wire range:0.5-1.5mm<br>A.W.G.:(22-16)<br>Max. current:Imax=10A |
| DS-1162-MPD2-156    | 4         | 9 | 21 | 10 | 2.3 | 4.3 | 0.4 | 20  | Blue   | Wire range:1.5-2.5mm<br>A.W.G.:(16-14)<br>Max. current:Imax=15A |
| DS-1162-MPD5.5-195  | 5         | 9 | 24 | 13 | 3.4 | 5.6 | 0.4 | 10  | Yellow | Wire range:4-6mm<br>A.W.G.:(12-10)<br>Max. current:Imax=24A     |

|                   |       |                     |          |   |    |        |   |
|-------------------|-------|---------------------|----------|---|----|--------|---|
| GENERAL TOLERANCE |       | ANGLE TOLERANCE     |          | PROJECTION  |    | TITLE  | MPD Bullet shaped male fully insulated terminal block |
| X.                | ±0.60 | X.                  | ±5°      | UNITS   | mm | SERIES | DS1162-75 SERIES                                      |
| .X                | ±0.38 | .X                  | ±3°      | SHEET SIZE  | A4 |        |   |
| .XX               | ±0.25 | .XX                 | ±2°      | 晨翔电子有限公司<br><b>CONNELY CONNELY ELECTRONIC CO. LTD</b> |    |        |   |
| DRAWING TYPE      |       | CUSTOMER            |          |   |    |        |   |
| SCALE             | 1:1   | SHEET               | 10 OF 16 |   |    |        |   |
| DRAWING NO.       |       | C-DS1162-75-XXX-X-A |          |   |    |        |   |

|      |     |
|------|-----|
| Dept | Qty |
| DC   | 1   |
| ED   | 1   |
| IE   | 1   |
| ISO  | 1   |
| PD   | 1   |
| R&D  | 1   |
| SD   | 1   |
| QA   | 1   |
| QC   | 1   |
| QE   | 1   |

| REV. | DESCRIPTION | DRAWN         | CHECKED | APPROVED |
|------|-------------|---------------|---------|----------|
| A    | NEW RELEASE | WPY 10/17/24' |         |          |
|      |             |               |         |          |
|      |             |               |         |          |

The information provided herein is from CONNFLY Electronic Co., Ltd. and is confidential. Any disclosure to a party other than the recipient is prohibited. The intellectual properties and its rights contained herein, including but not limited to, trademarks, patents, copyrights, trade secrets, and technical know-how, are owned exclusively by CONNFLY or its affiliates. Unauthorized use or modification is strictly prohibited without prior written consent from CONNFLY. All intellectual properties provided herein are for reference purposes only and does not constitute authorization of its use in any format or manner. CONNFLY may enforce its intellectual property rights at its own discretion; failures or delays to exercise such rights does not constitute a waiver of such rights.



**Notes:**

- 1.Maximum voltage: 600V
- 2.Maximum temperature resistance: 75 °C
- 3.Sheath color: red, yellow, blue

**Material:**

- 1.Terminals material: Copper
- 2.Nsulation material: PVC
- 3.Plating: Tin plated

**Product Number Code:**

DS1162-75 - X X X-X

Tab Size(Dim W):  
156:3.9 195:4.9

Wire Size:  
1.25:1.25 2:2 5.5: 5.5

Type of insulation:  
D: Vinylinsulated double crimp terminal

Type of terminals:  
FR: Female Receptacle Disconnects

| GENERAL TOLERANCE |       | ANGLE TOLERANCE |     |
|-------------------|-------|-----------------|-----|
| X.                | ±0.60 | X.              | ±5° |
| .X                | ±0.38 | .X              | ±3° |
| .XX               | ±0.25 | .XX             | ±2° |

|            |    |        |   |
|------------|----|--------|---|
| PROJECTION |    | TITLE  | FDD Bullet shaped female fully insulated terminal block |
| UNITS      | mm | SERIES | DS1162-75 SERIES  |
| SHEET SIZE | A4 |        |   |

|              |                     |       |          |
|--------------|---------------------|-------|----------|
| DRAWING TYPE | CUSTOMER            |       |          |
| SCALE        | 1:1                 | SHEET | 11 OF 16 |
| DRAWING NO.  | C-DS1162-75-XXX-X-A |       |          |

**晨翔电子有限公司**  
**CONNFLY CONNFLY ELECTRONIC CO. LTD**

|      |   |
|------|---|
| Dept |   |
| Qty  |   |
| DC   | 1 |
| ED   | 1 |
| IE   | 1 |
| ISO  | 1 |
| PD   | 1 |
| R&D  | 1 |
| SD   | 1 |
| QA   | 1 |
| QC   | 1 |
| QE   | 1 |

| REV. | DESCRIPTION | DRAWN         | CHECKED | APPROVED |
|------|-------------|---------------|---------|----------|
| A    | NEW RELEASE | WPY 10/17/24' |         |          |
|      |             |               |         |          |
|      |             |               |         |          |

The information provided herein is from CONNELY Electronic Co., Ltd. and is confidential. Any disclosure to a party other than the recipient is prohibited. The intellectual properties and its rights contained herein, including but not limited to, trademarks, patents, copyrights, trade secrets, and technical know-how, are owned exclusively by CONNELY or its affiliates. Unauthorized use or modification is strictly prohibited without prior written consent from CONNELY. All intellectual properties provided herein are for reference purposes only and does not constitute authorization of its use in any format or manner. CONNELY may enforce its intellectual property rights at its own discretion; failures or delays to exercise such rights does not constitute a waiver of such rights.

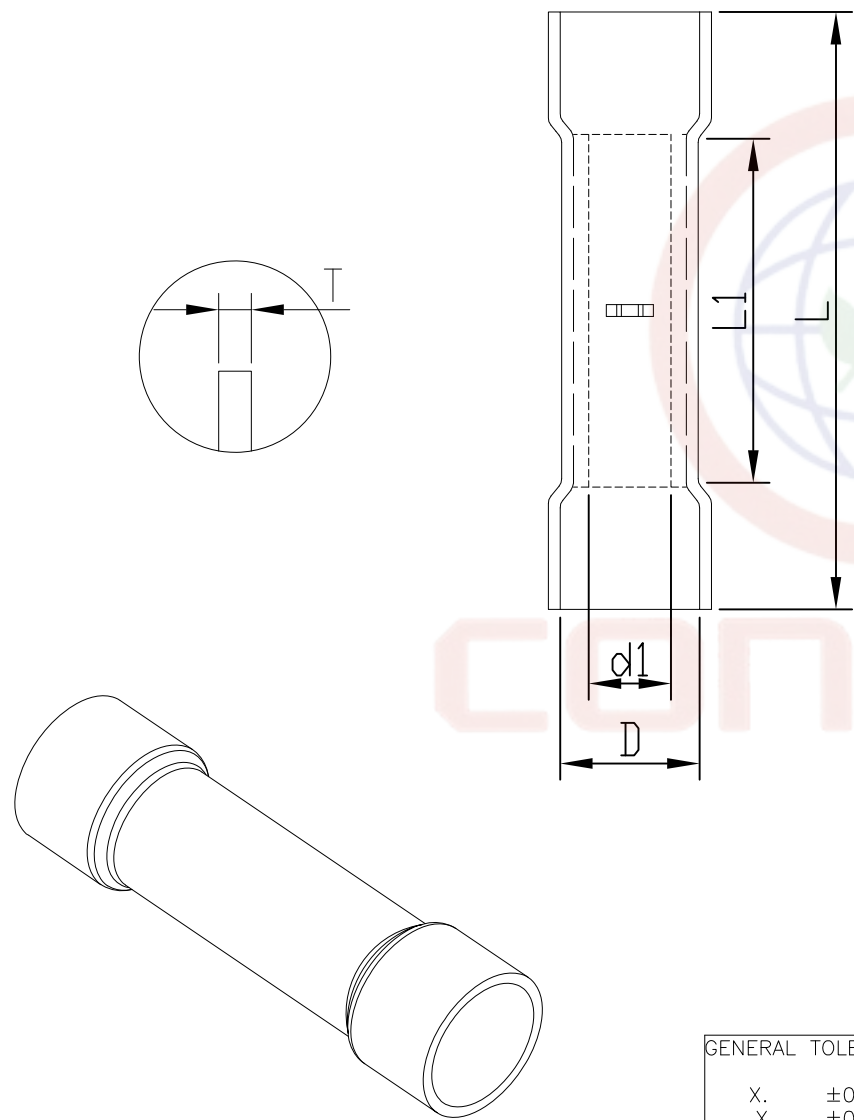
| ITEM NO.            | Dimension |    |      |     |     |     | QTY | COLOR  | EXPLANATION  |
|---------------------|-----------|----|------|-----|-----|-----|-----|--------|--|
|                     | W         | F  | L    | d1  | D   | T   |     |        |  |
| DS-1162-FRD1.25-156 | 3.9       | 13 | 23.3 | 1.7 | 3.8 | 0.4 | 20  | Red    | Wire range:0.5-1.5mm<br>A.W.G.:(22-16)<br>Max.current:Imax=10A |
| DS-1162-FRD2-156    | 3.9       | 14 | 23.3 | 2.3 | 4.3 | 0.4 | 20  | Blue   | Wire range:1.5-2.5mm<br>A.W.G.:(16-14)<br>Max.current:Imax=15A |
| DS-1162-FRD5.5-195  | 4.9       | 14 | 25   | 3.4 | 5.6 | 0.4 | 10  | Yellow | Wire range:4-6mm<br>A.W.G.:(12-10)<br>Max.current:Imax=24A     |

|                   |       |                     |          |  |    |        |   |
|-------------------|-------|---------------------|----------|--|----|--------|---|
| GENERAL TOLERANCE |       | ANGLE TOLERANCE     |          | PROJECTION   |    | TITLE  | FRD Bullet shaped female fully insulated terminal block |
| X.                | ±0.60 | X.                  | ±5°      | UNITS  | mm | SHEET  | 12 OF 16  |
| .X                | ±0.38 | .X                  | ±3°      | SHEET SIZE   | A4 | SERIES | DS1162-75 SERIES  |
| .XX               | ±0.25 | .XX                 | ±2°      | <b>晨翔电子有限公司</b><br><b>CONNELY CONNELY ELECTRONIC CO. LTD</b> |    |        |   |
| DRAWING TYPE      |       | CUSTOMER            |          |  |    |        |   |
| SCALE             | 1:1   | SHEET               | 12 OF 16 |  |    |        |   |
| DRAWING NO.       |       | C-DS1162-75-XXX-X-A |          |  |    |        |   |

|      |     |
|------|-----|
| Dept | Qty |
| DC   | 1   |
| ED   | 1   |
| IE   | 1   |
| ISO  | 1   |
| PD   | 1   |
| R&D  | 1   |
| SD   | 1   |
| QA   | 1   |
| QC   | 1   |
| QE   | 1   |

The information provided herein is from CONNFLY Electronic Co., Ltd. and is confidential. Any disclosure to a party other than the recipient is prohibited. The intellectual properties and its rights contained herein, including but not limited to, trademarks, patents, copyrights, trade secrets, and technical know-how, are owned exclusively by CONNFLY or its affiliates. Unauthorized use or modification is strictly prohibited without prior written consent from CONNFLY. All intellectual properties provided herein are for reference purposes only and does not constitute authorization of its use in any format or manner. CONNFLY may enforce its intellectual property rights at its own discretion; failures or delays to exercise such rights does not constitute a waiver of such rights.

| REV. | DESCRIPTION | DRAWN         | CHECKED | APPROVED |
|------|-------------|---------------|---------|----------|
| A    | NEW RELEASE | WPY 10/17/24' |         |          |
|      |             |               |         |          |
|      |             |               |         |          |



**Notes:**

- 1. Maximum voltage: 600V
- 2. Maximum temperature resistance: 75 °C
- 3. Sheath color: red, yellow, blue

**Material:**

- 1. Terminals material: Copper
- 2. Insulation material: PVC
- 3. Plating: Tin plated

**Product Number Code:**

DS1162-75 - X X X

- Wire Size:  
1.25:1.25 2:2 5.5: 5.5
- Type of insulation:  
D: Vinylinsulated double crimp terminal
- Type of terminals:  
B: Bolt connectors

| GENERAL TOLERANCE |       | ANGLE TOLERANCE |     |
|-------------------|-------|-----------------|-----|
| X.                | ±0.60 | X.              | ±5° |
| .X                | ±0.38 | .X              | ±3° |
| .XX               | ±0.25 | .XX             | ±2° |

|            |    |        |   |
|------------|----|--------|---|
| PROJECTION |    | TITLE  | BV Short fully insulated intermediate joint |
| UNITS      | mm | SERIES | DS1162-75 SERIES                            |
| SHEET SIZE | A4 |        |   |

|              |                   |       |          |
|--------------|-------------------|-------|----------|
| DRAWING TYPE | CUSTOMER          |       |          |
| SCALE        | 1:1               | SHEET | 13 OF 16 |
| DRAWING NO.  | C-DS1162-75-XXX-A |       |          |

**晨翔电子有限公司**  
**CONNFLY CONNFLY ELECTRONIC CO. LTD**

|      |   |
|------|---|
| Dept |   |
| Qty  |   |
| DC   | 1 |
| ED   | 1 |
| IE   | 1 |
| ISO  | 1 |
| PD   | 1 |
| R&D  | 1 |
| SD   | 1 |
| QA   | 1 |
| QC   | 1 |
| QE   | 1 |

| REV. | DESCRIPTION | DRAWN         | CHECKED | APPROVED |
|------|-------------|---------------|---------|----------|
| A    | NEW RELEASE | WPY 10/17/24' |         |          |
|      |             |               |         |          |
|      |             |               |         |          |

The information provided herein is from CONNELY Electronic Co., Ltd. and is confidential. Any disclosure to a party other than the recipient is prohibited. The intellectual properties and its rights contained herein, including but not limited to, trademarks, patents, copyrights, trade secrets, and technical know-how, are owned exclusively by CONNELY or its affiliates. Unauthorized use or modification is strictly prohibited without prior written consent from CONNELY. All intellectual properties provided herein are for reference purposes only and does not constitute authorization of its use in any format or manner. CONNELY may enforce its intellectual property rights at its own discretion; failures or delays to exercise such rights does not constitute a waiver of such rights.

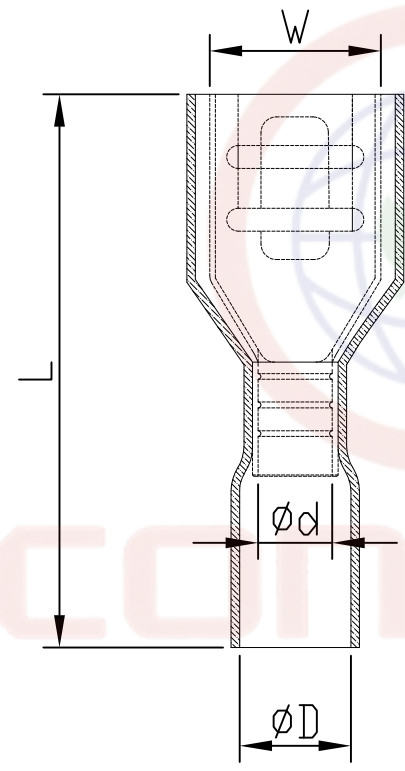
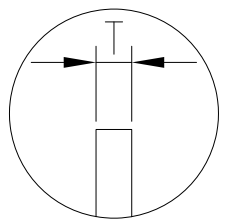
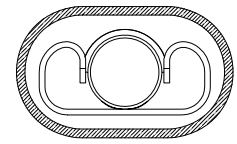
| ITEM NO.       | Dimension |    |     |      | Imax | WIRE RANGE |                 | QTY | COLOR  |
|----------------|-----------|----|-----|------|------|------------|-----------------|-----|--------|
|                | L         | L1 | D   | d1   |      | A. W. G    | mm <sup>2</sup> |     |        |
| DS-1162-BV1.25 | 24.6      | 15 | 4.2 | 2.15 | 19A  | 22-16      | 0.5-1.5         | 20  | Red    |
| DS-1162-BV2    | 24.6      | 15 | 4.7 | 2.75 | 27A  | 16-14      | 1.5-2.5         | 20  | Blue   |
| DS-1162-BV5.5  | 26        | 15 | 6.3 | 4.25 | 48A  | 12-10      | 4-6'            | 10  | Yellow |

|                   |       |                   |          |  |    |        |  |
|-------------------|-------|-------------------|----------|--|----|--------|--|
| GENERAL TOLERANCE |       | ANGLE TOLERANCE   |          | PROJECTION   |    | TITLE  | BV Long fully insulated intermediate joint |
| X.                | ±0.60 | X.                | ±5°      | UNITS  | mm | SERIES | DS1162-75 SERIES                           |
| .X                | ±0.38 | .X                | ±3°      | SHEET SIZE   | A4 |        |  |
| .XX               | ±0.25 | .XX               | ±2°      | <b>晨翔电子有限公司</b><br><b>CONNELY CONNELY ELECTRONIC CO. LTD</b> |    |        |  |
| DRAWING TYPE      |       | CUSTOMER          |          |  |    |        |  |
| SCALE             | 1:1   | SHEET             | 14 OF 16 |  |    |        |  |
| DRAWING NO.       |       | C-DS1162-75-XXX-A |          |  |    |        |  |

|      |     |
|------|-----|
| Dept | Qty |
| DC   | 1   |
| ED   | 1   |
| IE   | 1   |
| ISO  | 1   |
| PD   | 1   |
| R&D  | 1   |
| SD   | 1   |
| QA   | 1   |
| QC   | 1   |
| QE   | 1   |

The information provided herein is from CONNELY Electronic Co., Ltd. and is confidential. Any disclosure to a party other than the recipient is prohibited. The intellectual properties and its rights contained herein, including but not limited to, trademarks, patents, copyrights, trade secrets, and technical know-how, are owned exclusively by CONNELY or its affiliates. Unauthorized use or modification is strictly prohibited without prior written consent from CONNELY. All intellectual properties provided herein are for reference purposes only and does not constitute authorization of its use in any format or manner. CONNELY may enforce its intellectual property rights at its own discretion; failures or delays to exercise such rights does not constitute a waiver of such rights.

| REV. | DESCRIPTION | DRAWN         | CHECKED | APPROVED |
|------|-------------|---------------|---------|----------|
| A    | NEW RELEASE | WPY 10/17/24' |         |          |
|      |             |               |         |          |
|      |             |               |         |          |



**Notes:**  
 Maximum voltage: 600V  
 Maximum temperature resistance: 75 °C  
 Sheath color: red, yellow, blue  
**Material:**  
 Terminals material: Copper  
 Insulation material: PVC  
 Plating: Tin plated  
 Product Number Code:  
 DS1162-75 - X X X  
 Wire Size:  
 1.25:1.25 2:2 5.5:5.5 8:8 14:14  
 22:22 38:38  
 Type of insulation:  
 D:  
 Type of terminals:  
 FDF: Female Disconnects-Fully insulated

| GENERAL TOLERANCE |                      | ANGLE TOLERANCE |          |
|-------------------|----------------------|-----------------|----------|
| X.                | ±0.60                | X.              | ±5°      |
| .X                | ±0.38                | .X              | ±3°      |
| .XX               | ±0.25                | .XX             | ±2°      |
| DRAWING TYPE      | CUSTOMER             |                 |          |
| SCALE             | 1:1                  | SHEET           | 15 OF 16 |
| DRAWING NO.       | C-DS1162-75-XXXX-X-A |                 |          |

| PROJECTION | TITLE                             |
|------------|-----------------------------------|
|            | FDFD female fully insulated joint |
| UNITS      | mm                                |
| SHEET SIZE | A4                                |
| SERIES     | DS1162-75 SERIES                  |

**晨翔电子有限公司**  
**CONNELY CONNELY ELECTRONIC CO. LTD**

|      |     |
|------|-----|
| Dept | Qty |
| DC   | 1   |
| ED   | 1   |
| IF   | 1   |
| ISO  | 1   |
| PD   | 1   |
| R&D  | 1   |
| SD   | 1   |
| QA   | 1   |
| QC   | 1   |
| QE   | 1   |

| REV. | DESCRIPTION | DRAWN         | CHECKED | APPROVED |
|------|-------------|---------------|---------|----------|
| A    | NEW RELEASE | WPY 10/17/24' |         |          |
|      |             |               |         |          |
|      |             |               |         |          |


The information provided herein is from CONNELY Electronic Co., Ltd. and is confidential. Any disclosure to a party other than the recipient is prohibited. The intellectual properties and its rights contained herein, including but not limited to, trademarks, patents, copyrights, trade secrets, and technical know-how, are owned exclusively by CONNELY or its affiliates. Unauthorized use or modification is strictly prohibited without prior written consent from CONNELY. All intellectual properties provided herein are for reference purposes only and does not constitute authorization in any format or manner. CONNELY may enforce its intellectual property rights at its own discretion, failures or delays to exercise such rights does not constitute a waiver of such rights.

| ITEM NO.             | Nema Tab | Dimension |      |     |     |     | QTY | COLOR  | EXPLANATION   |
|----------------------|----------|-----------|------|-----|-----|-----|-----|--------|---|
|                      |          | W         | L    | d1  | D   | T   |     |        |   |
| DS-1162-FDFD1.25-250 | 0.8*6.35 | 7.5       | 21.5 | 1.7 | 3.7 | 0.4 | 20  | Red    | Wire range:0.5-1.5mm<br>A.W.G.:(22-16)<br>Max. current:Imax=10A |
| DS-1162-FDFD2-250    | 0.8*6.36 | 7.5       | 21.5 | 2.3 | 4.2 | 0.4 | 20  | Blue   | Wire range:1.5-2.5mm<br>A.W.G.:(16-14)<br>Max. current:Imax=15A |
| DS-1162-FDFD5.5-250  | 0.8*6.37 | 7.5       | 25.5 | 3.4 | 5.6 | 0.4 | 10  | Yellow | Wire range:4-6mm<br>A.W.G.:(12-10)<br>Max. current:Imax=24A     |

|                   |                 |
|-------------------|-----------------|
| GENERAL TOLERANCE | ANGLE TOLERANCE |
| X. ±0.60          | X. ±5°          |
| .X ±0.38          | .X ±3°          |
| .XX ±0.25         | .XX ±2°         |

|            |    |            |   |
|------------|----|------------|---|
| PROJECTION |    | TITLE      | FDD Female pre insulated terminal block |
| UNITS      | mm | SHEET SIZE | A4                                      |
| SHEET SIZE | A4 | SERIES     | DS1162-75 SERIES                        |

|              |                    |
|--------------|--------------------|
| DRAWING TYPE | CUSTOMER           |
| SCALE        | 1:1 SHEET 16 OF 16 |
| DRAWING NO.  | C-DS1162-75-XXXX-A |



**晨翔电子有限公司**  
**CONNELY CONNELY ELECTRONIC CO. LTD**