

The information provided herein is from CONNELY Electronic Co., Ltd. and is confidential. Any disclosure to a party other than the recipient is prohibited. The intellectual properties and its rights contained herein, including but not limited to, trademarks, patents, copyrights, trade secrets, and technical know-how, are owned exclusively by CONNELY or its affiliates. Unauthorized use or reproduction of any part of this document is strictly prohibited. CONNELY may enforce its intellectual property rights at its own discretion, failures or delays to exercise such rights does not constitute a waiver of such rights.

Dept	Qty
DC	1
ED	1
IE	1
ISO	1
PD	1
R&D	1
SD	1
QA	1
QC	1
QE	1

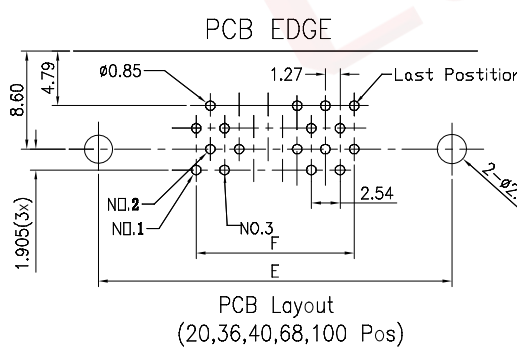
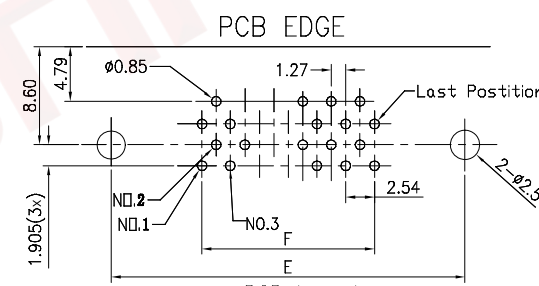
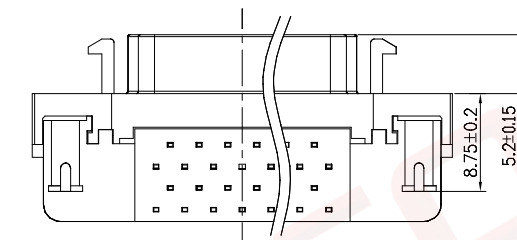
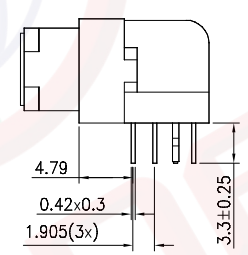
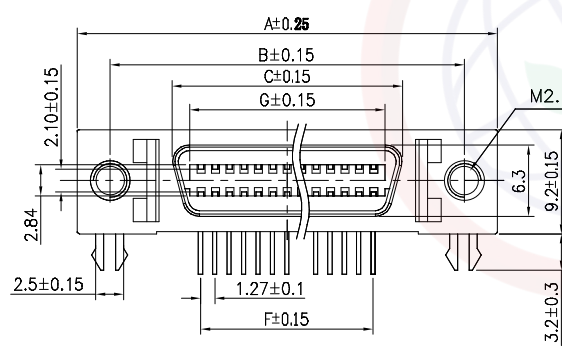
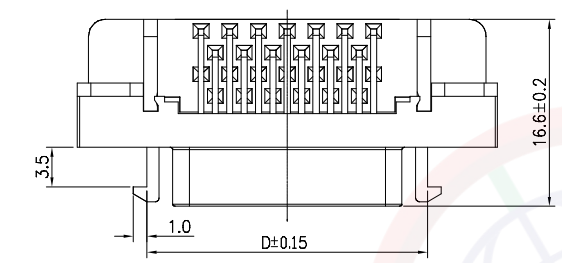
REV.	DESCRIPTION	DRAWN	CHECKED	APPROVED
A	NEW RELEASE	JLZ 04/09/22'		

- NOTES:
- Electrical characteristics:
 - Contact resistance: 35mΩ Max.
 - Dielectric withstanding voltage: 500V AC(rms) for 1 minute.
 - Insulation resistance: 500MΩ Min.
 - Environment characteristics:
 - Temperature range: -55°C~+105°C.
 - Materials:
 - Insulator:PBT+Glass fiber
 - Shell:Zinc,Nickel Plated
 - Contact:Copper alloy
 - Product number code:

DS1164-01-X X X X X

 - X: Packing type
 - T: Tray
 - 0: Contact plating
 - 0: Selective gold flash
 - Color of housing
 - B: Black
 - Connector type
 - F: Female
 - No. of contact
 - 14,20,26,36,40,50,68,100

No. of Pin	DIMENSIONS						
	A	B	C	D	E	F	G
14	29.57	23.64	12.63	17.25	23.64	7.62	9.52
20	33.40	27.45	16.44	21.06	27.45	11.43	13.10
26	37.19	31.26	20.25	24.76	31.26	15.24	17.10
36	43.54	37.61	26.60	31.11	37.61	21.59	23.40
40	46.15	40.15	29.14	33.65	40.15	24.13	25.99
50	52.50	46.5	35.49	40.0	46.5	30.48	32.29
68	63.92	57.92	46.92	51.43	57.92	41.91	43.77
100	84.18	78.23	67.10	71.75	78.23	62.23	64.09



GENERAL TOLERANCE		ANGLE TOLERANCE	
X.	±0.60	X.	±5°
.X	±0.38	.X	±3°
.XX	±0.25	.XX	±2°
DRAWING TYPE		CUSTOMER	
SCALE	1:1	SHEET	1 OF 1
DRAWING NO.	C-DS1164-01-XXXXXX-A		

PROJECTION	TITLE
	SCSI Connector Female R/A Type
UNITS	mm
SHEET SIZE	A4
SERIES	DS1164-01 SERIES

晨翔电子有限公司
CONNFLY CONNELY ELECTRONIC CO. LTD