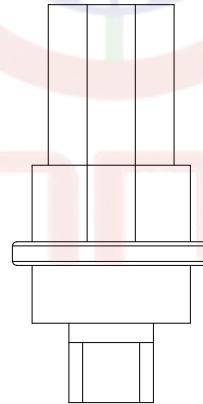
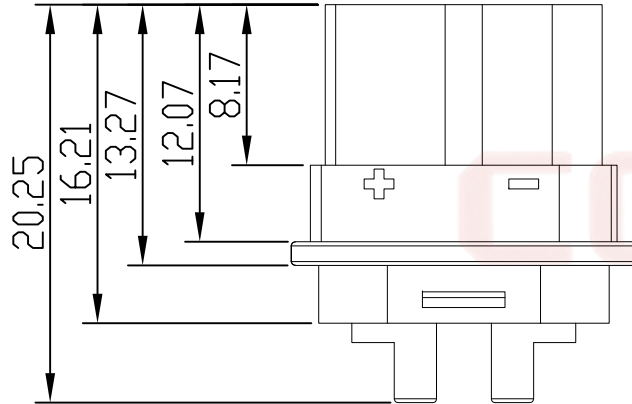
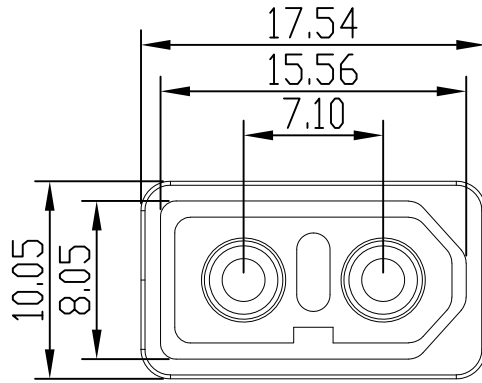


The information provided herein is from CONNFLY Electronic Co., Ltd. and is confidential. Any disclosure to a party other than the recipient is prohibited. The intellectual properties and its rights of CONNFLY Electronic Co., Ltd. are strictly protected. All intellectual properties provided herein are for reference purposes only and does not constitute authorization of its use in any format or manner. CONNFLY may enforce its intellectual property rights at its own discretion; failures or delays to exercise such rights does not constitute a waiver of such rights.

Female



REV.	DESCRIPTION	DRAWN	CHECKED	APPROVED
A	NEW RELEASE	WPY 10/16/24'		

Notes:

1. Rated current: 30A
2. Voltage endurance: 500VDC
3. Contact resistance: 0.6mΩ
4. Insulation current: 2000MΩ
5. Instantaneous current: 60A
6. Environmental temperature: -20 °C -120 °C
7. Mechanical lifespan: 1000 times
8. Recommended wire gauge: 12AWG

Materials:

1. Insulation Material: PA66
2. Metal material: Brass with gold plating
3. Protection level: IP40

Product Number Code:

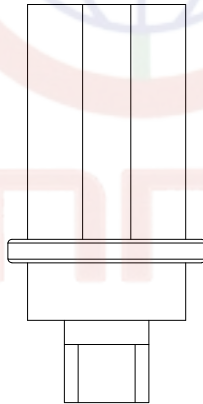
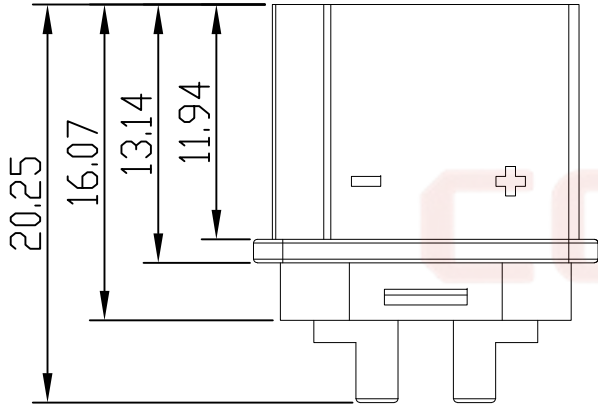
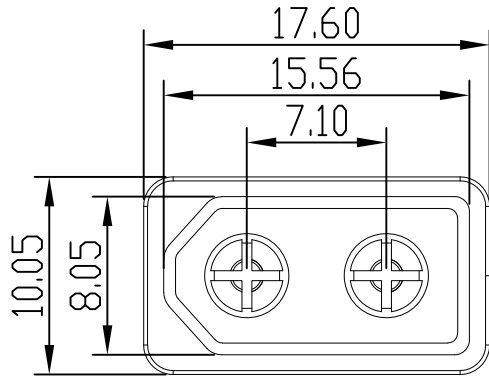
DS1171-03-X X X X

- Housing color:
Y:Yellow
- Contact Plating:
8: Full gold flash
- Connector type:
F:Female M:Male
A:Female+Male
- No. of Contacts:
2:2

GENERAL TOLERANCE		ANGLE TOLERANCE		PROJECTION		TITLE	30A High-current, shielded power male and female connectors
X.	±0.60	X.	±5°	UNITS	mm	SHEET SIZE	A4
.X	±0.38	.X	±3°	DRAWING TYPE	CUSTOMER	SERIES	DS1171-03 SERIES
.XX	±0.25	.XX	±2°	SCALE	1:1	SHEET 1 OF 2	
DRAWING NO.		C-DS1171-03-XXXX-A		晨翔电子有限公司 CONNFLY CONNFLY ELECTRONIC CO. LTD			

The information provided herein is from CONNFLY Electronic Co., Ltd. and is confidential. Any disclosure to a party other than the recipient is prohibited. The intellectual properties and its rights of CONNFLY Electronic Co., Ltd. are strictly protected. All intellectual properties provided herein are for reference purposes only and does not constitute authorization of its use in any format or manner. CONNFLY may enforce its intellectual property rights at its own discretion; failures or delays to exercise such rights does not constitute a waiver of such rights.

Male



REV.	DESCRIPTION	DRAWN	CHECKED	APPROVED
A	NEW RELEASE	WPY 10/16/24'		

Notes:

1. Rated current: 30A
2. Voltage endurance: 500VDC
3. Contact resistance: 0.6mΩ
4. Insulation current: 2000MΩ
5. Instantaneous current: 60A
6. Environmental temperature: -20 °C -120 °C
7. Mechanical lifespan: 1000 times
8. Recommended wire gauge: 12AWG

Materials:

1. Insulation Material: PA66
2. Metal material: Brass with gold plating
3. Protection level: IP40

Product Number Code:

DS1171-03-X X X X

- Housing color:
Y:Yellow
- Contact Plating:
8: Full gold flash
- Connector type:
F:Female M:Male
A:Female+Male
- No. of Contacts:
2:2

GENERAL TOLERANCE		ANGLE TOLERANCE	
X.	±0.60	X.	±5°
.X	±0.38	.X	±3°
.XX	±0.25	.XX	±2°

PROJECTION	TITLE
	30A High-current, shielded power male and female connectors
UNITS	mm
SHEET SIZE	A4
SERIES	DS1171-03 SERIES

DRAWING TYPE	CUSTOMER		
SCALE	1:1	SHEET	2 OF 2
DRAWING NO.	C-DS1171-03-XXXX-A		

晨翔电子有限公司
CONNFLY CONNFLY ELECTRONIC CO. LTD