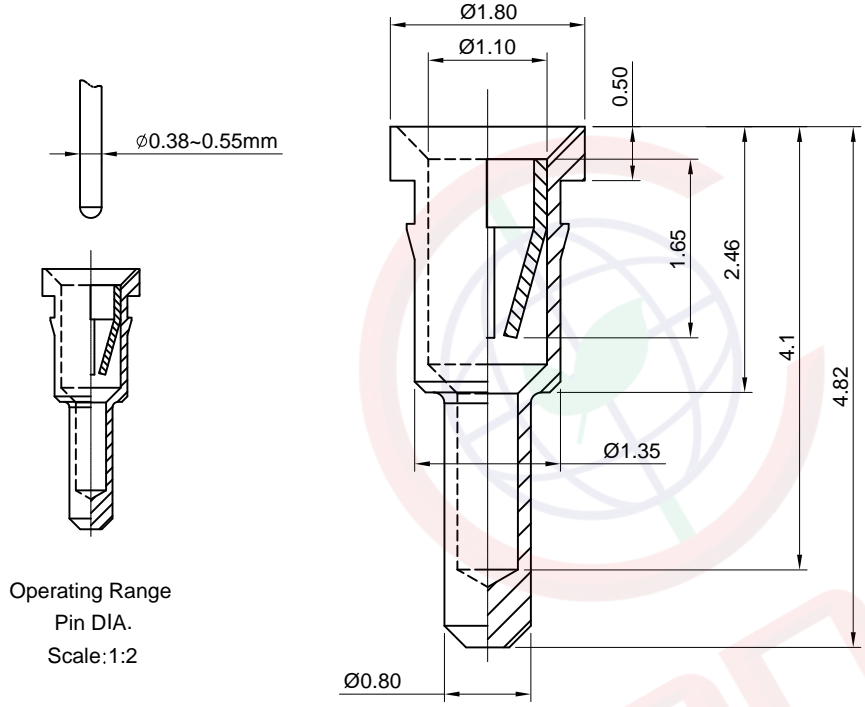


Dept	
Qty	
DC	1
ED	1
IE	1
ISO	1
PD	1
R&D	1
SD	1
QA	1
QC	1
QF	1

The information provided herein is from CONNFLY Electronic Co., Ltd. and is confidential. Any disclosure to a party other than the recipient is prohibited. The intellectual properties and its rights contained herein, including but not limited to, trademarks, patents, copyrights, trade secrets, and technical know-how, are owned exclusively by CONNFLY or its affiliates. Unauthorized use or reproduction of this information in any form or by any means, without the prior written permission of CONNFLY, is strictly prohibited. CONNFLY may enforce its intellectual property rights at its own discretion, failure of which does not constitute a waiver of such rights.

REV.	DESCRIPTION	DRAWN	CHECKED	APPROVED
A	NEW RELEASE	HP 07/11/05'		LJC 07/11/05'
B	DRAWING UPDATE	JLZ 04/04/18'	HZW 04/04/18'	LJC 04/04/18'
C	DRAWING UPDATE	JLZ 07/24/18'		



Operating Range
Pin DIA.
Scale:1:2



(Series Image-Reference Only)

Technical data

- Material
 - Pin(Outer Sleeve): Brass,Machined,CuZn38Pb2
 - Clip(Contact 4 Finger): Copper alloy,Heat Treated
- Electrical
 - Current Rating: 3A max.
 - Contact Resistance: 20mΩ max.
- Mechanical
 - *Average Insertion Force With Steel Pin of Ø0.457mm/0.018": 4-Finger 270g max
 - *Average Withdrawal Force With Steel Pin of Ø0.457mm/0.018": 4-Finger 25g min
 - *Mechanical Life: min 200 Cycles
- Product number code:

DS1005-03 - X X X

- Clip plated
 - 6: Full Tin
 - 8: Full Gold flash
 - C: Full Gold 3u"
 - A: Full Gold 10u"
 - B: Full Gold 15u"
- Pin plated
 - 6: Full Tin
 - 8: Full Gold flash
 - C: Full Gold 3u"
 - A: Full Gold 10u"
 - B: Full Gold 15u"
- Clips
 - 4: 4Finger

GENERAL TOLERANCE		ANGLE TOLERANCE		PROJECTION		TITLE	
X.	±0.60	X.	±5°	UNITS	mm	SOCKET TERMINALS 4.82mm	
.X	±0.38	.X	±3°	SHEET SIZE	A4	SERIES	DS1005-03 SERIES
.XX	±0.25	.XX	±2°	晨翔电子有限公司 CONNFLY CONNFLY ELECTRONIC CO. LTD			
DRAWING TYPE		CUSTOMER					
SCALE	1:1	SHEET	1 OF 1				
DRAWING NO.		C-DS1005-03-XXXXX-C					