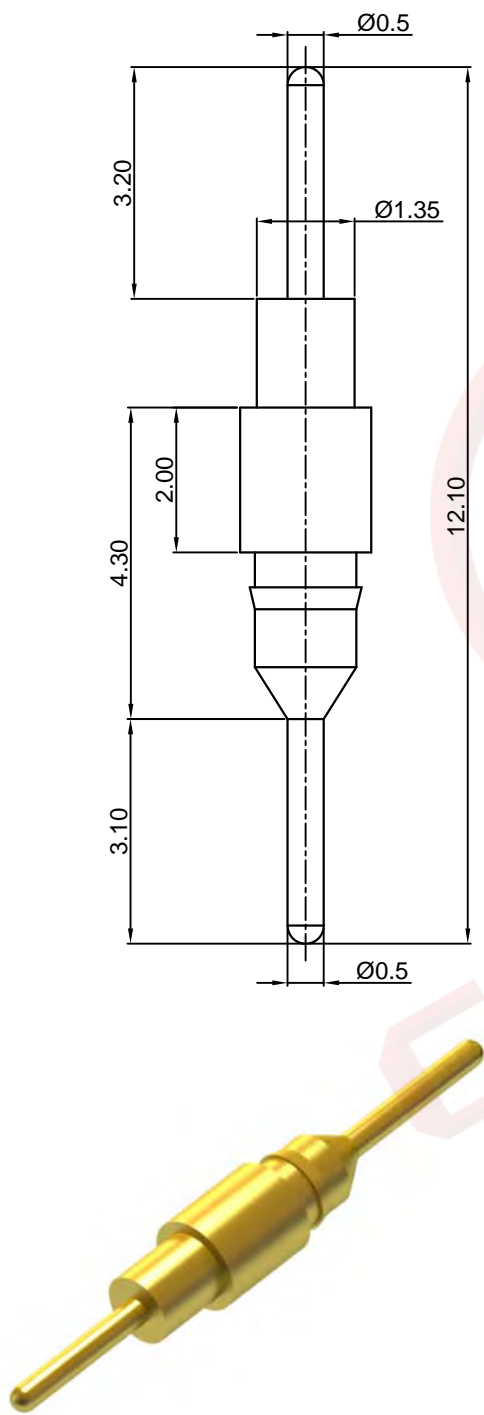


| | |
|------|---|
| Dept | |
| Qty | |
| DC | 1 |
| ED | 1 |
| IE | 1 |
| ISO | 1 |
| PD | 1 |
| R&D | 1 |
| SD | 1 |
| QA | 1 |
| QC | 1 |
| QE | 1 |

The information provided herein is from CONNELY Electronic Co., Ltd. and is confidential. Any disclosure to a party other than the recipient is prohibited. The intellectual properties and its rights contained herein, including but not limited to, trademarks, patents, copyrights, trade secrets, and technical know-how, are owned exclusively by CONNELY or its affiliates. Unauthorized use or reproduction of this information in any form or by any means, including electronic, mechanical, photocopying, recording, or by any information storage and retrieval system, without the prior written permission of CONNELY is strictly prohibited. CONNELY may enforce its intellectual property rights at its own discretion, failures or delays to exercise such rights does not constitute a waiver of such rights.



(Series Image-Reference Only)

| REV. | DESCRIPTION | DRAWN | CHECKED | APPROVED |
|------|----------------|---------------|---------|---------------|
| A | NEW RELEASE | HP 07/09/05' | | LJC 07/09/05' |
| B | DRAWING UPDATE | JLZ 08/01/18' | | |
| | | | | |
| | | | | |

Technical data

- Material
 - . Pin: Brass,Machined,CuZn38Pb2
- Electrical
 - . Current Rating: 1A max.
 - . Operating Voltage: 60V max.
- Product number code:

DS1006-07 - X

- Pin plated
- 6: Full Tin
- 8: Full Gold flash
- C: Full Gold 3u"
- A: Full Gold 10u"
- B: Full Gold 15u"

Series No.
DS1006-07

| | | | | | | | |
|-------------------|-------|-----------------|--------|--|----|---------------------------------|------------------|
| GENERAL TOLERANCE | | ANGLE TOLERANCE | | PROJECTION | | TITLE | |
| X. | ±0.60 | X. | ±5° | UNITS | mm | BOARD TO BOARD TERMINALS 12.1mm | |
| .X | ±0.38 | .X | ±3° | SHEET SIZE | A4 | SERIES | DS1006-07 SERIES |
| .XX | ±0.25 | .XX | ±2° | 晨翔电子有限公司 CONNELY ELECTRONIC CO. LTD | | | |
| DRAWING TYPE | | CUSTOMER | | | | | |
| SCALE | 1:1 | SHEET | 1 OF 1 | | | | |
| DRAWING NO. | | C-DS1006-07-X-B | | | | | |