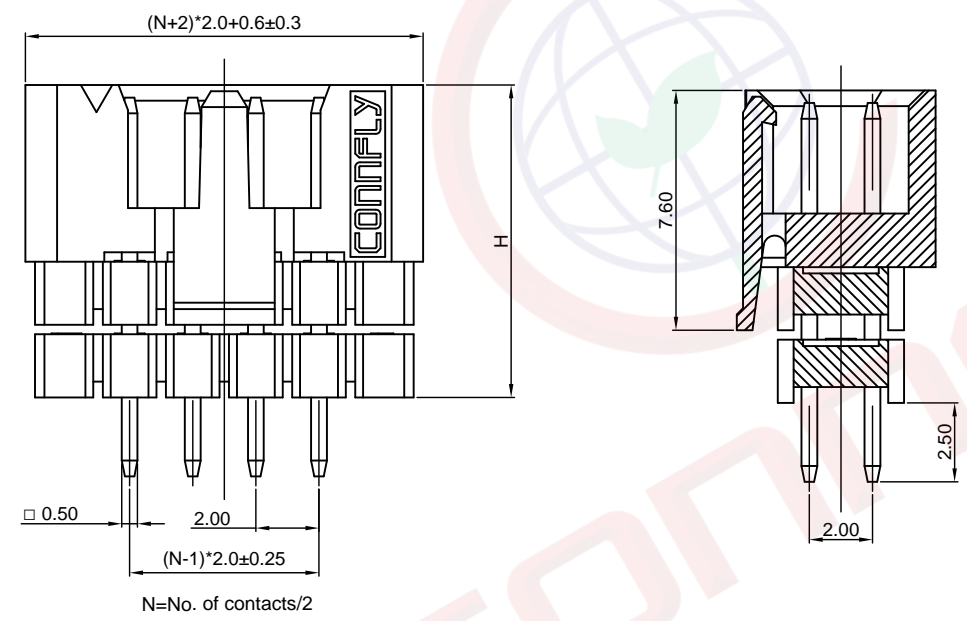
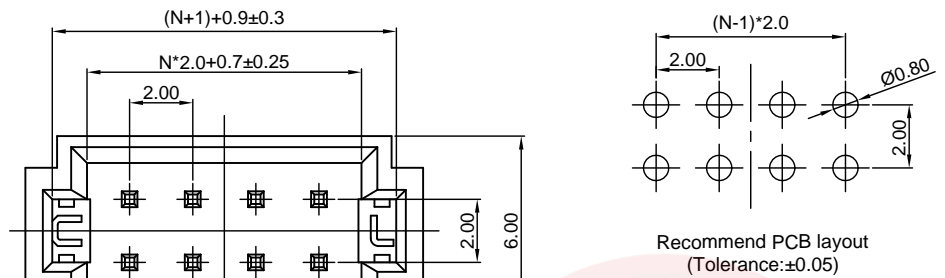


Dept	
Qty	
DC	1
ED	1
IE	1
ISO	1
PD	1
R&D	1
SD	1
QA	1
QC	1
QE	1

The information provided herein is from CONNELY Electronic Co., Ltd. and is confidential. Any disclosure to a party other than the recipient is prohibited. The intellectual properties and its rights contained herein, including but not limited to, trademarks, patents, copyrights, trade secrets, and technical know-how, are owned exclusively by CONNELY or its affiliates. Unauthorized use or modification is strictly prohibited without prior written consent from CONNELY. All intellectual properties provided herein are for reference purposes only and does not constitute authorization of its use in any format or manner. CONNELY may enforce its intellectual property rights at its own discretion; failures or delays to exercise such rights does not constitute a waiver of such rights.



(Series Image-Reference Only)

REV.	DESCRIPTION	DRAWN	CHECKED	APPROVED
A	NEW RELEASE	JLZ 12/13/17'	HZW 12/13/17'	LJC 12/13/17'
B	DRAWING UPDATE	JLZ 08/27/18'		

NOTES:

- Electrical characteristics:
  - Contact resistance: 30mΩ Max.
  - Dielectric withstanding voltage: 500V AC(rms) for 1 minute.
  - Insulation resistance: 1000MΩ Min.
  - Current rating:2A.
- Environment characteristics:
  - Temperature: -25°C~+85°C.
- Materials
  - Contact material: Copper alloy, gold over nickel plated.
  - Insulator material: Nylon, Black.
- Product number code:  
 DS1014-02- X X X X X X X X
  - Plating Level  
3A:Level 3A  
B:Level B
  - Packing Type  
P:Ploybag
  - Dim H  
1:9.9mm
  - Housing Color  
B:Black
  - Contact Plating  
8:Gold Flash
  - Mounting Type  
E:Elevator Type
  - Connector Type  
P:Plug
  - No. of contacts  
2x4~2x15

GENERAL TOLERANCE		ANGLE TOLERANCE		PROJECTION		TITLE	2.00mm Box Header Elevator Type	
X.	±0.60	X.	±5°	UNITS	mm	SHEET	1 OF 1	
.X	±0.38	.X	±3°	SHEET SIZE	A4	SERIES	DS1014-02 SERIES	
.XX	±0.25	.XX	±2°	<b>晨翔电子有限公司</b> CONNELY ELECTRONIC CO. LTD				
DRAWING TYPE		CUSTOMER						
SCALE		1:1						
DRAWING NO.		C-DS1014-02-XXXXXXX-B						