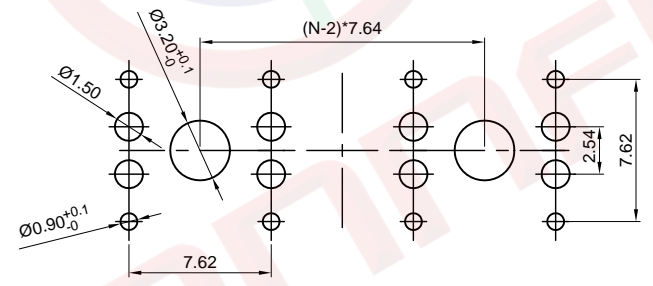
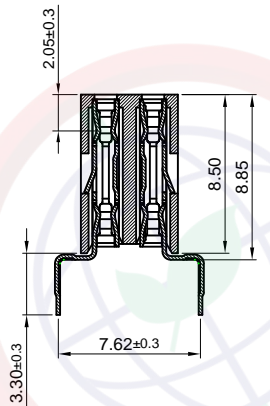
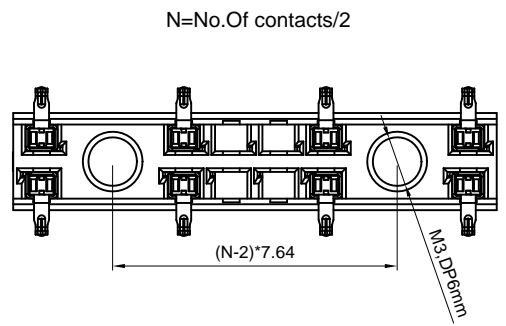
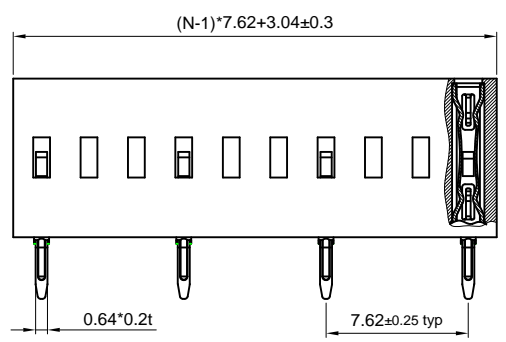
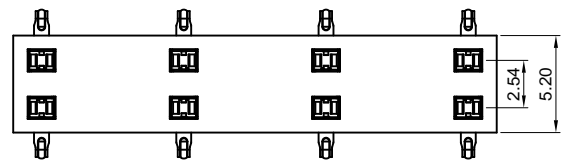
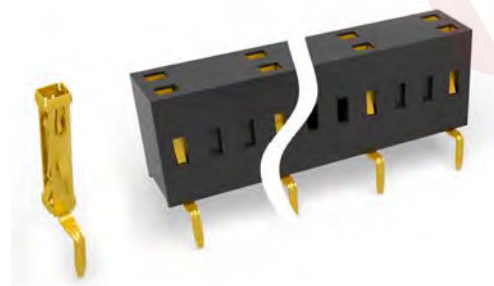


The information provided herein is from CONNELY Electronic Co., Ltd. and is confidential. Any disclosure to a party other than the recipient is prohibited. The intellectual properties and its rights contained herein, including but not limited to, trademarks, patents, copyrights, trade secrets, and technical know-how, are owned exclusively by CONNELY or its affiliates. Unauthorized use or reproduction of any part of this document is strictly prohibited. CONNELY may enforce its intellectual property rights at its own discretion, failures or delays to exercise such rights does not constitute a waiver of such rights.

Dept	Qty
DC	1
ED	1
IE	1
ISO	1
PD	1
R&D	1
SD	1
QA	1
QC	1
QE	1



Recommend PCB layout  
(Tolerance:±0.05)



(Series Image-Reference Only)

REV.	DESCRIPTION	DRAWN	CHECKED	APPROVED
A	NEW RELEASE	JLZ 03/01/18'		

- Notes:
- Specifications:
- Contact Resistance: 20mΩ Max.
  - Insulation Resistance: 1000MΩ Min.
  - Dielectric Withstanding Voltage: 600V AC(rms)  
For 1 Minute.
  - Current Rating:3A.
  - Temperature: -40°C~+105°C.

- Materials:
- Contact Material: Copper Alloy.
  - Contact Plating: Gold Plating Over Nickel.
  - Insulator Material: PBT,Black,UL94-V0.
- Product Number Code:

DS1023-54 - X X X X X 0 X 0

- Packing type  
B: Tube
- Housing color  
B: Black
- Contact plating  
8: Full gold flash
- Mounting type  
V: V/T Type
- Connector type  
S: socket
- No.of contacts  
2x2-2x8

GENERAL TOLERANCE		ANGLE TOLERANCE		PROJECTION		TITLE	2.54*7.62mm Female Header W/ Screw Hole V/T Type H=8.5mm		
X.	±0.60	X.	±5°	UNITS	mm	SERIES	DS1023-54 SERIES		
.X	±0.38	.X	±3°	SHEET SIZE	A4				
.XX	±0.25	.XX	±2°						
DRAWING TYPE		CUSTOMER			晨翔电子有限公司 CONNFLY ELECTRONIC CO. LTD				
SCALE		1:1	SHEET	1 OF 1					
DRAWING NO.		C-DS1023-54-XXXXX-A							