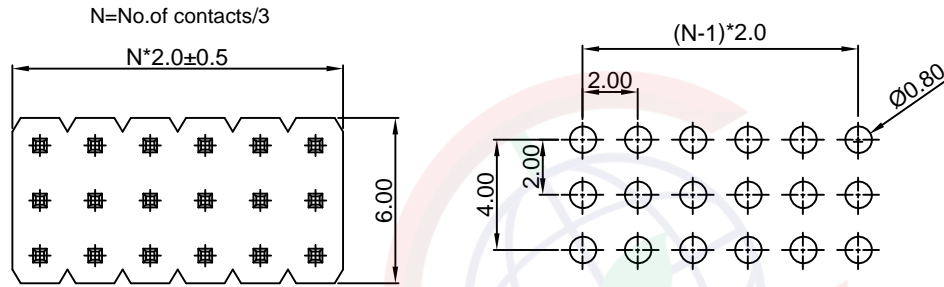
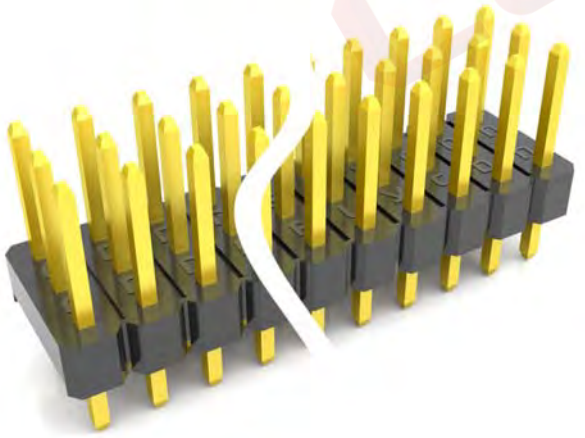
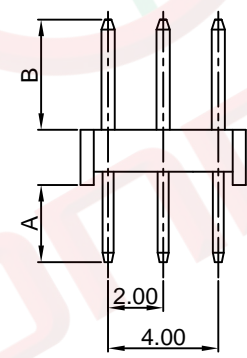
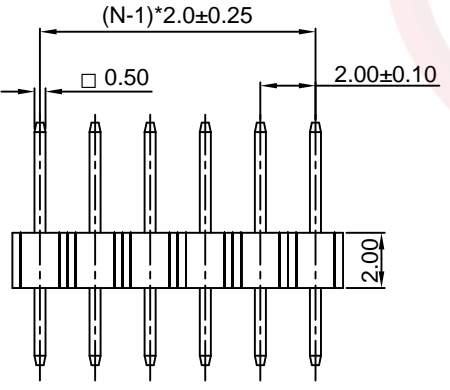


The information provided herein is from CONNELY Electronic Co., Ltd. and is confidential. Any disclosure to a party other than the recipient is prohibited. The intellectual properties and its rights contained herein, including but not limited to, trademarks, patents, copyrights, trade secrets, and technical know-how, are owned exclusively by CONNELY or its affiliates. Unauthorized use or reproduction of any part of this document is strictly prohibited. CONNELY may enforce its intellectual property rights at its own discretion, failures or delays to exercise such rights does not constitute a waiver of such rights.

REV.	DESCRIPTION	DRAWN	CHECKED	APPROVED
A	NEW RELEASE	YCH 07/25/13'		LJC 07/25/13'
B	ADD P/N CODE	JLZ 10/28/14'		LJC 10/28/14'
D	DRAWING UPDATE	JLZ 04/11/20'		



Recommend PCB Layout  
(Tolerance:±0.05)



(Series Image-Reference Only)

Table A:

Type	Dimension	
	A	B
1	2.80	4.00
2		

Notes:

Specifications:

- Contact Resistance: 20mΩ Max.
- Insulation Resistance: 1000MΩ Min.
- Dielectric Withstanding Voltage: 500V AC(rms) For 1 Minute.
- Current Rating:1.5A.
- Temperature: -40°C~+105°C.

Materials:

- Contact Material: Copper Alloy.
- Contact Plating: Gold Plating Over Nickel.
- Insulator Material: High temp,Black,UL94-V0.

Product Number Code:

DS1025-09 - X X X X X - X

- Plating level (For gold only)  
3A: Level 3A  
B: Level B
- Dim.A B type  
1: Type 1 .....  
or A\*.\*B\*.\*
- Mounting type  
V: V/T type
- Housing color  
B: Black
- Contact plating  
8: Full gold flash  
6: Tin
- Connector type  
P: Plug
- No.of contacts  
3x3~3x40

GENERAL TOLERANCE		ANGLE TOLERANCE		PROJECTION		TITLE
X.	±0.60	X.	±5°			2.0mm Pin Header
.X	±0.38	.X	±3°			Triplex Row V/T Type
.XX	±0.25	.XX	±2°			
DRAWING TYPE		CUSTOMER		UNITS	mm	SHEET SIZE
SCALE		1:1		SHEET	1 OF 1	SERIES
DRAWING NO.		C-DS1025-09-XXXXXX-X-C		DS1025-09 SERIES		

晨翔电子有限公司

CONNFLY CONNELY ELECTRONIC CO. LTD