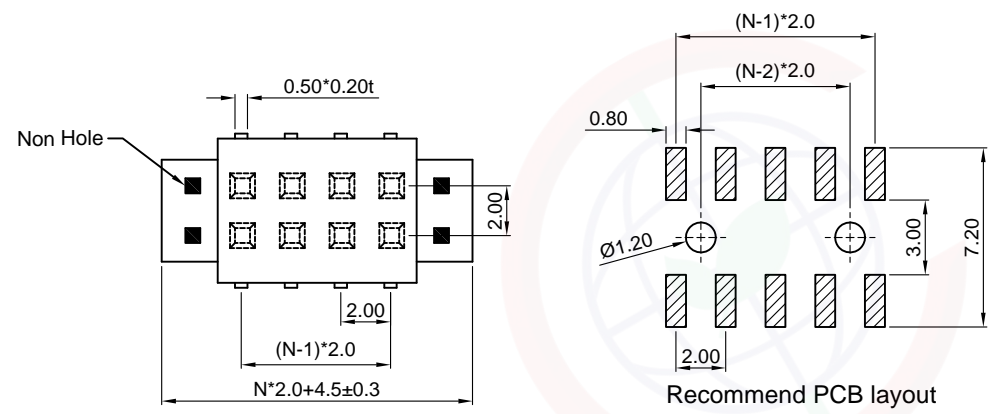


Dept	Qty
DC	1
ED	1
IE	1
ISO	1
PD	1
R&D	1
SD	1
QA	1
QC	1
QE	1

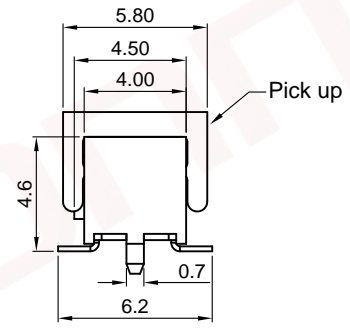
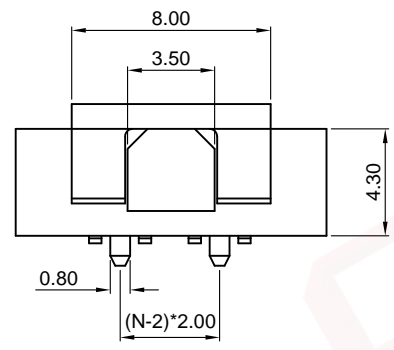
The information provided herein is from CONNELY Electronic Co., Ltd. and is confidential. Any disclosure to a party other than the recipient is prohibited. The intellectual properties and its rights contained herein, including but not limited to, trademarks, patents, copyrights, trade secrets, and technical know-how, are owned exclusively by CONNELY or its affiliates. Unauthorized use or disclosure of any intellectual property or confidential information in any format or manner, CONNELY may enforce its intellectual property rights at its own discretion, failures or delays to exercise such rights does not constitute a waiver of such rights.

REV.	DESCRIPTION	DRAWN	CHECKED	APPROVED
A	NEW RELEASE	LJC 12/15/09'		LJC 12/15/09'
B	DRAWING UPDATE	JLZ 08/24/17'	HZW 08/24/17'	LJC 08/24/17'
C	DRAWING UPDATE	JLZ 04/18/20'		



N=No.of contacts/2

Recommend PCB layout  
Tolerance:±0.05



Notes:

Specifications:

1. Contact Resistance: 20mΩ Max.
2. Insulation Resistance: 1000MΩ Min.
3. Dielectric Withstanding Voltage: 500V AC(rms) For 1 Minute.
4. Current Rating:1.5A.
5. Temperature: -40°C~+105°C.

Materials:

1. Contact Material: Copper Alloy.
2. Contact Plating: Gold Plating Over Nickel.
3. Insulator Material: High temp,Black,UL94-V0.

Product Number Code:

DS1026-16 - X X X X X X X

- X X X X X X X
- Post support
- S: W/ post
- X: W/O post
- Packing type
- B: Tube
- R: Tape on reel
- Pick up support
- S: W/ pick up
- X: W/O pick up
- Polarization support
- S: W/ Polarization
- X: W/O Polarization
- Contact plating
- 8: Full gold flash
- Housing color
- B: Black
- No.of contacts(W/ contacts)
- 2x4-2x32



(Series Image-Reference Only)

GENERAL TOLERANCE		ANGLE TOLERANCE		PROJECTION		TITLE	2.0mm Female Header W/ Polarization Match To 2.0 Box Header SMT type	
X.	±0.60	X.	±5°	UNITS	mm	SHEET SIZE	A4	
.X	±0.38	.X	±3°	DRAWING TYPE	CUSTOMER		SERIES DS1026-16 SERIES	
.XX	±0.25	.XX	±2°	SCALE	1:1	SHEET	1 OF 1	
DRAWING NO.		C-DS1026-16-XXXXXX-C		DRAWING NO.		C-DS1026-16-XXXXXX-C		

**晨翔电子有限公司**  
CONNELY ELECTRONIC CO., LTD