

The information provided herein is from CONNELY Electronic Co., Ltd. and is confidential. Any disclosure to a party other than the recipient is prohibited. The intellectual properties and its rights contained herein, including but not limited to, trademarks, patents, copyrights, trade secrets, and technical know-how, are owned exclusively by CONNELY or its affiliates. Unauthorized use or reproduction of any part of this document without the prior written permission of CONNELY may result in legal action. CONNELY may enforce its intellectual property rights at its own discretion, failures or delays to exercise such rights does not constitute a waiver of such rights.

REV.	DESCRIPTION	DRAWN	CHECKED	APPROVED
A	NEW RELEASE	YCH 05/10/12'		LJC 05/10/12'
B	DRAWING UPDATE	JLZ 08/25/20'		

Notes:

Specifications:

- Contact Resistance: 20mΩ Max.
- Insulation Resistance: 1000MΩ Min.
- Dielectric Withstanding Voltage: 300V AC(rms) For 1 Minute.
- Current Rating:1A.
- Temperature: -40°C~+105°C.

Materials:

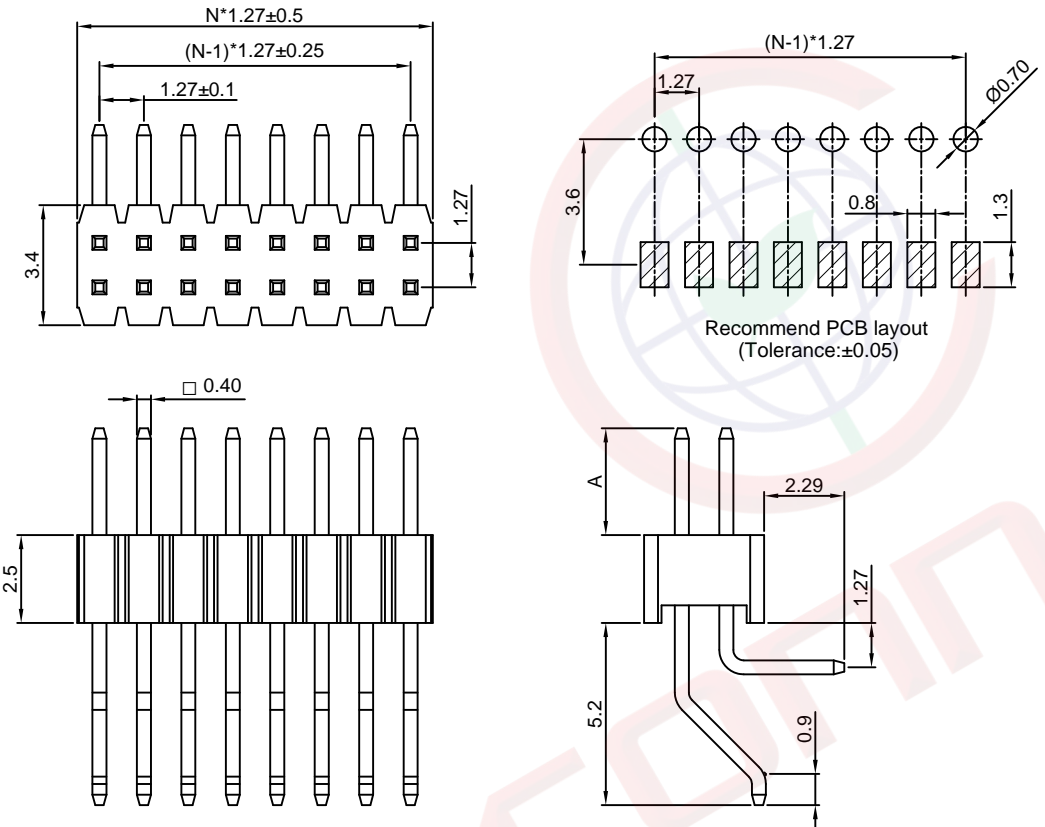
- Contact Material: Copper Alloy.
- Contact Plating: Gold Plating Over Nickel.
- Insulator Material: PA9T,Black,UL94-V0.

Product Number Code:

DS1031-36 - X X X X - 3A

- DIM.A type
  - 1: Type 1
  - 2: Type 2
  - .....
  - or A\*.\*
- Housing color
  - B:Black
- Contact plating
  - 8: Full gold flash
- Connector type
  - P:Plug
- No.of contacts
  - 2x2-2x40

N=Number of contacts/2



Type	DIM A
1	3.05
2	1.91
3	1.65
4	3.81



(Series Image-Reference Only)

GENERAL TOLERANCE		ANGLE TOLERANCE		PROJECTION	TITLE
X.	$\pm 0.60$	X.	$\pm 5^\circ$		1.27mm Pin Header Double
.X	$\pm 0.38$	.X	$\pm 3^\circ$	mm	Row R/A + SMT Type
.XX	$\pm 0.25$	.XX	$\pm 2^\circ$	A4	SHEET SIZE
DRAWING TYPE				CUSTOMER	
SCALE		1:1		SHEET 1 OF 1	
DRAWING NO.				C-DS1031-36-XXXXX-3A-B	

