

The information provided herein is from CONNFLY Electronic Co., Ltd. and is confidential. Any disclosure to a party other than the recipient is prohibited. The intellectual properties and its rights contained herein, including but not limited to, trademarks, patents, copyrights, trade secrets, and technical know-how, are owned exclusively by CONNFLY or its affiliates. Unauthorized use or modification is strictly prohibited. CONNFLY may enforce its intellectual property rights at its own discretion; failures or delays to exercise such rights does not constitute a waiver of such rights.

1 2 3 4 5 6 7 8

REV.	DESCRIPTION	DRAWN	CHECKED	APPROVED
A	NEW RELEASE	JLZ 07/13/19'		

NOTES:

1. SPECIFICATIONS

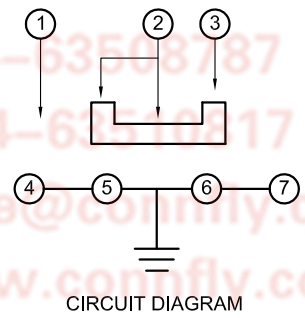
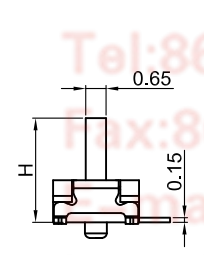
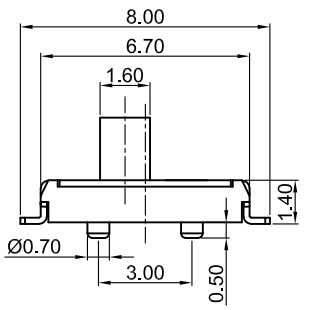
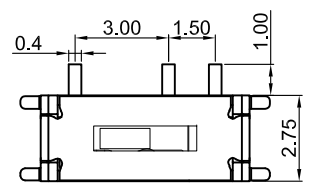
- . Contact Rating: 50mA at 12Vdc
- . Insulation Resistance:100MΩ min.
- . Contact Resistance:100mΩ max.
- . Operating Life:10,000 cycles
- . Travel:1.5±0.1mm
- . Operation Temperature Range: -25°C to +70°C

. Wave Soldering: Recommended Solder Temperature At 500°F(260°C)max. 5 Seconds,Subject To PCB 1.6mm Thickness.

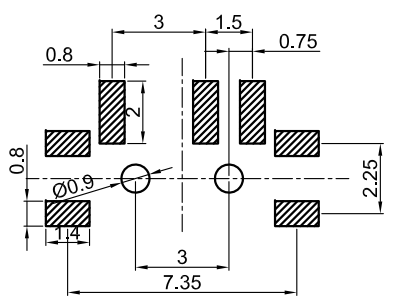
2. PRODUCT NUMBER CODE:

DS1042-27 - X X X X X X X

- Operating Life
01:10,000 cycles
- Operating force
180: 180±50gf
- Packing type
A: polybag
R: tape & reel
- Actuator color
B: Black W: White
- Housing color
B: Black
- Profile Height(DIM. H)
034:3.4mm
- No. of contacts
3: 3Pos



CIRCUIT DIAGRAM



Recommend PCB layout
Tolerance±0.05

CONNFLY
 Tel:86-574-63503787
 Fax:86-574-63503787
 Email:sale@connfly.com
 http://www.connfly.com
 Add:East Industry Zone KuangYan
 Town Cixi Ningbo China
 P.C:315333

GENERAL TOLERANCE		ANGLE TOLERANCE		PROJECTION		TITLE	Toggle Switch
X.	±0.60	X.	±5°	UNITS	mm	SMT Type 6.7mmX2.75mm	
.X	±0.38	.X	±3°	SHEET SIZE	A4	SERIES	DS1042-27 SERIES
.XX	±0.25	.XX	±2°	晨翔电子有限公司 CONNFLY CONNFLY ELECTRONIC CO. LTD			
DRAWING TYPE		CUSTOMER					
SCALE		1:1 SHEET 1 OF 1					
DRAWING NO.		C-DS1042-27-XXXXX-A					

1 2 3 4 5 6 7 8