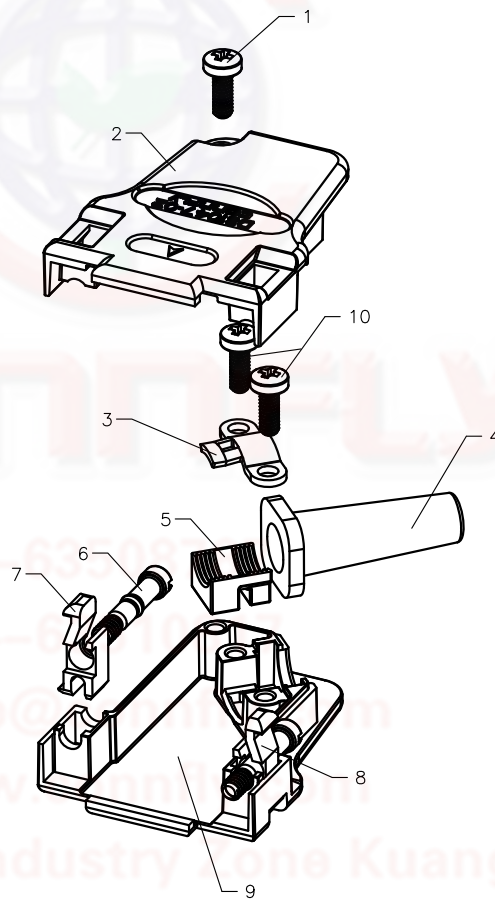
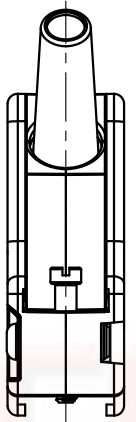
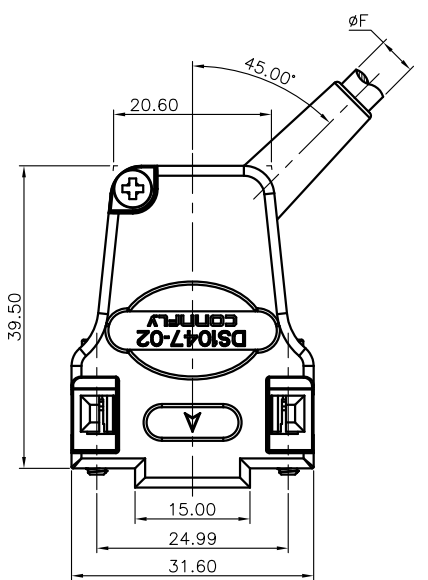


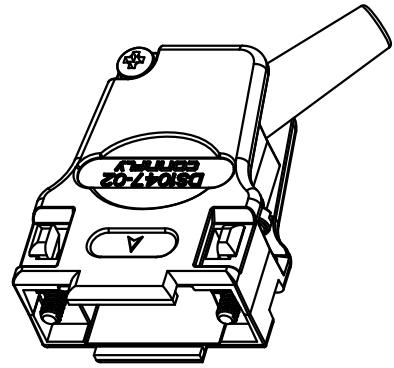
REV.	DESCRIPTION	DRAWN	CHECKED	APPROVED
A	NEW RELEASE	YCH 03/22/11'	~	LJC 03/22/11'
B	ADD P/N CODE	YCH 12/07/13'	~	

	φF
W/ SR	φ6.5
W/O SR	φ3.0~φ9.5



NOTES:
 1. PART NUMBER CODE:
 DS1047-02 - 09 X X X - X

- LOGO Support
- X: W/O LOGO
- N/A: CONNFLY LOGO
- SR Support
- S: W/ SR
- X: W/O SR
- Packing type
- 1: Mix packing
- 2: Separation packing
- Cover Material
- M: Metal(Znic alloy)
- Positions
- 09: 9pin




BOM LIST			
ITEM	PART NAME	Q'ty	NOTES
1	SCREW	1	M2.5
2	METAL HOOD-1	1	Znic alloy
3	WASHER	1	
4	SR	1	
5	STRAIN RELIEF	1	
6	BOLT	2	UNC 4-40
7	LATCH-1	1	
8	LATCH-2	1	
9	METAL HOOD-2	1	Znic alloy
10	SCREW	2	M2.5

GENERAL TOLERANCE		ANGLE TOLERANCE	
X.	±0.60	X.	±5°
.X	±0.38	.X	±3°
.XX	±0.25	.XX	±2°

PROJECTION	TITLE	D-SUB 9pin Metal Hoods Large Angled Cable Outlet	
UNITS	mm	SHEET SIZE	A4
SHEET SIZE	A4	SERIES	DS1047-02 SERIES

DRAWING TYPE		CUSTOMER	
SCALE	1:1	SHEET	1 OF 1
DRAWING NO.	C-DS1047-02-09XXX-X		

 晨翔电子有限公司
CONNFLY® CONNFLY ELECTRONIC CO., LTD

		øF	
TYPE A	W/ SR	ø6.5	
	W/O SR	ø3.0~ø9.5	
TYPE B	W/ SR	ø9.0	
	W/O SR	ø8.5~ø12.5	

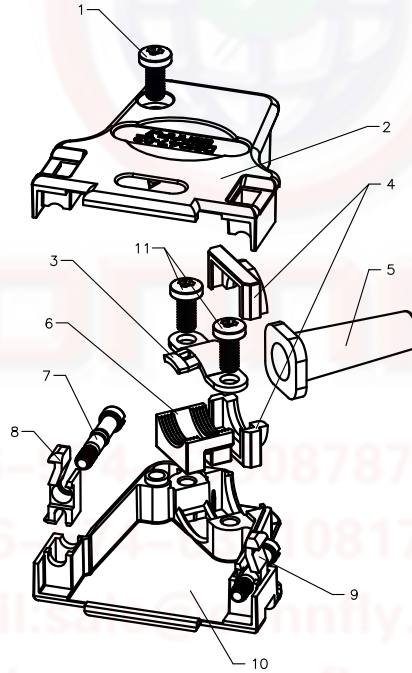
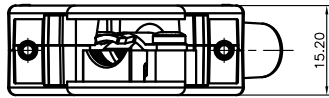
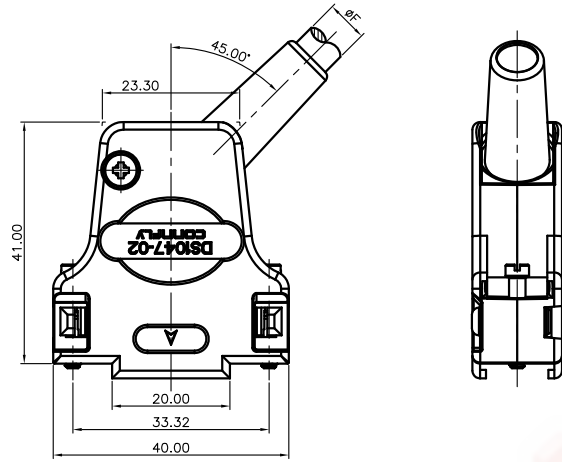
REV.	DESCRIPTION	DRAWN	CHECKED	APPROVED
A	NEW RELEASE	YCH 03/22/11'	~	LJC 03/22/11'
B	ADD P/N CODE	YCH 12/07/13'	~	

NOTES:

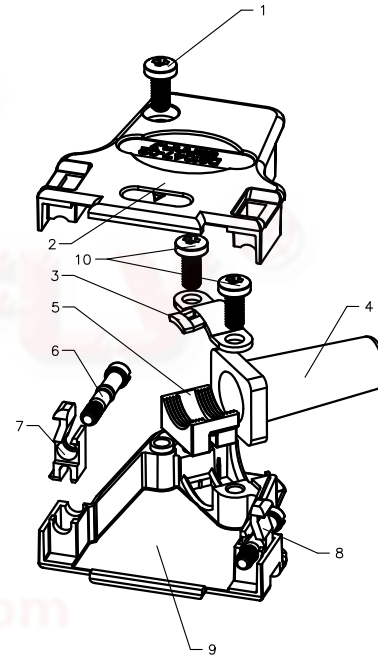
1. PART NUMBER CODE:

DS1047-02 - 15 X X X X - X

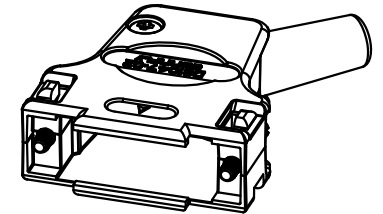
- LOGO Support
- X: W/O LOGO
- N/A: CONNFLY LOGO
- SR Support
- S: W/ SR
- X: W/O SR
- Type Support
- A: Type A
- B: Type B
- Packing type
- 1: Mix packing
- 2: Separation packing
- Cover Material
- M: Metal(Znic alloy)
- Positions
- 15: 15pin



TYPE A



TYPE B




TYPE A BOM LIST			
ITEM	PART NAME	Q'ty	NOTES
1	SCREW	1	M3
2	METAL HOOD-1	1	Znic alloy
3	WASHER	1	
4	CABLE REDUCTION PLATE	2	
5	SR	1	
6	STRAIN RELIEF	1	
7	BOLT	2	UNC 4-40
8	LATCH-1	1	
9	LATCH-2	1	
10	METAL HOOD-2	1	Znic alloy
11	SCREW	2	M3

TYPE B BOM LIST			
ITEM	PART NAME	Q'ty	NOTES
1	SCREW	1	M3
2	METAL HOOD-1	1	Znic alloy
3	WASHER	1	
4	SR	1	
5	STRAIN RELIEF	1	
6	BOLT	2	UNC 4-40
7	LATCH-1	1	
8	LATCH-2	1	
9	METAL HOOD-2	1	Znic alloy
10	SCREW	2	M3

GENERAL TOLERANCE		ANGLE TOLERANCE	
X.	±0.60	X.	±5°
.X	±0.38	.X	±3°
.XX	±0.25	.XX	±2°

PROJECTION	TITLE	D-SUB 15pin Metal Hoods	
UNITS	mm	Large Angled Cable Outlet	
SHEET SIZE	A4	SERIES	DS1047-02 SERIES

DRAWING TYPE	CUSTOMER		
SCALE	1:1	SHEET	1 OF 1
DRAWING NO.	C-DS1047-02-15XXXX-X		


晨翔电子有限公司
CONNFLY® CONNFLY ELECTRONIC CO., LTD

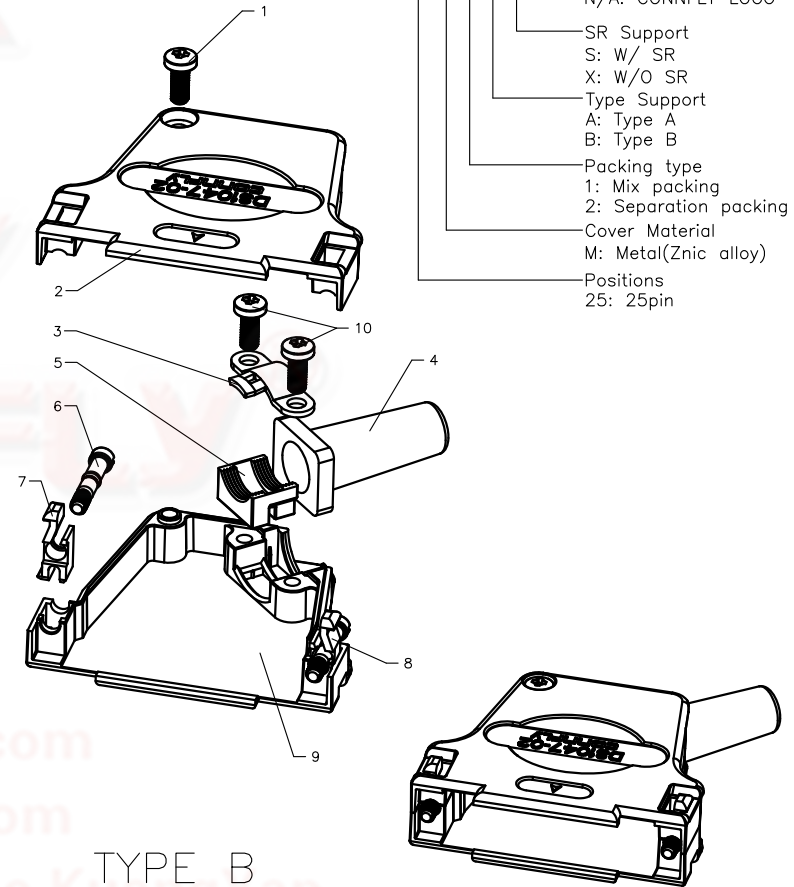
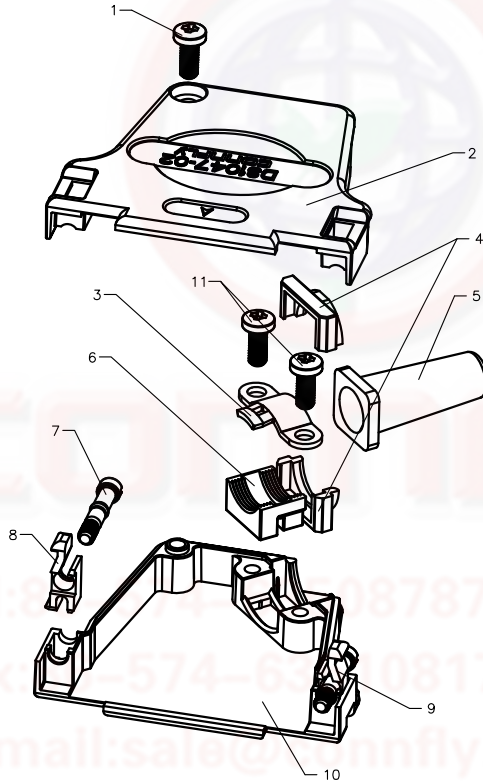
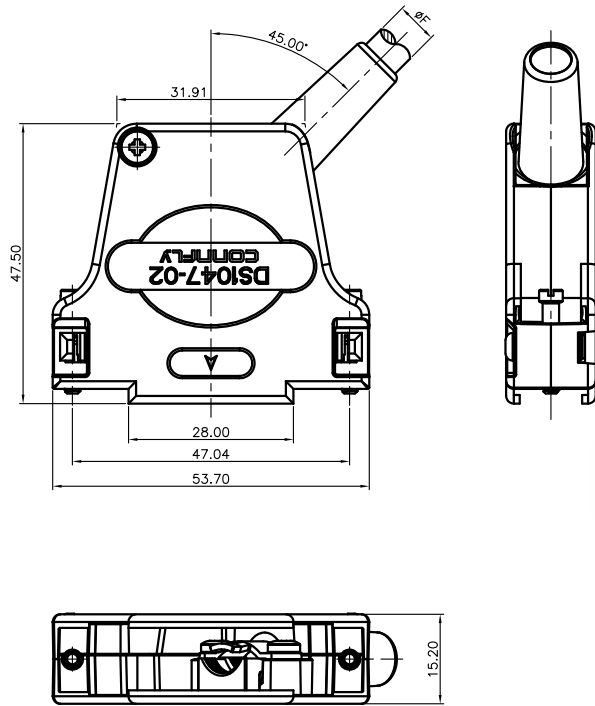
		φF
TYPE A	W/ SR	φ8
	W/O SR	φ3.0~φ8.5
TYPE B	W/ SR	φ9.0
	W/O SR	φ8.5~φ12.5

REV.	DESCRIPTION	DRAWN	CHECKED	APPROVED
A	NEW RELEASE	YCH 03/22/11'	~	LJC 03/22/11'
B	ADD P/N CODE	YCH 12/07/13'	~	

NOTES:
1. PART NUMBER CODE:

DS1047-02 - 25 X X X X - X

- LOGO Support
- X: W/O LOGO
- N/A: CONNFLY LOGO
- SR Support
- S: W/ SR
- X: W/O SR
- Type Support
- A: Type A
- B: Type B
- Packing type
- 1: Mix packing
- 2: Separation packing
- Cover Material
- M: Metal(Znic alloy)
- Positions
- 25: 25pin



TYPE A

TYPE B


TYPE A BOM LIST			
ITEM	PART NAME	Q'ty	NOTES
1	SCREW	1	M3
2	METAL HOOD-1	1	Znic alloy
3	WASHER	1	
4	CABLE REDUCTION PLATE	2	
5	SR	1	
6	STRAIN RELIEF	1	
7	BOLT	2	UNC 4-40
8	LATCH-1	1	
9	LATCH-2	1	
10	METAL HOOD-2	1	Znic alloy
11	SCREW	2	M3

TYPE B BOM LIST			
ITEM	PART NAME	Q'ty	NOTES
1	SCREW	1	M3
2	METAL HOOD-1	1	Znic alloy
3	WASHER	1	
4	SR	1	
5	STRAIN RELIEF	1	
6	BOLT	2	UNC 4-40
7	LATCH-1	1	
8	LATCH-2	1	
9	METAL HOOD-2	1	Znic alloy
10	SCREW	2	M3

GENERAL TOLERANCE		ANGLE TOLERANCE	
X.	±0.60	X.	±5°
.X	±0.38	.X	±3°
.XX	±0.25	.XX	±2°

PROJECTION	TITLE	D-SUB 25pin Metal Hoods Large Angled Cable Outlet	
UNITS	mm	SERIES	DS1047-02 SERIES
SHEET SIZE	A4	SERIES	DS1047-02 SERIES

DRAWING TYPE	CUSTOMER
SCALE	1:1 SHEET 1 OF 1
DRAWING NO.	C-DS1047-02-25XXXX-X

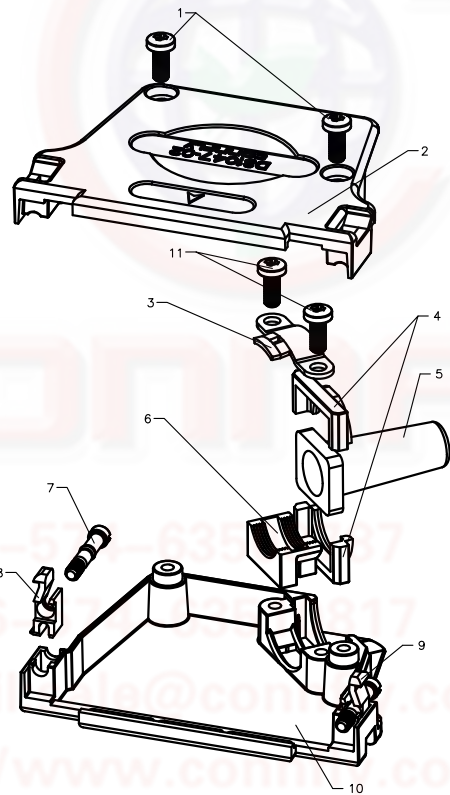
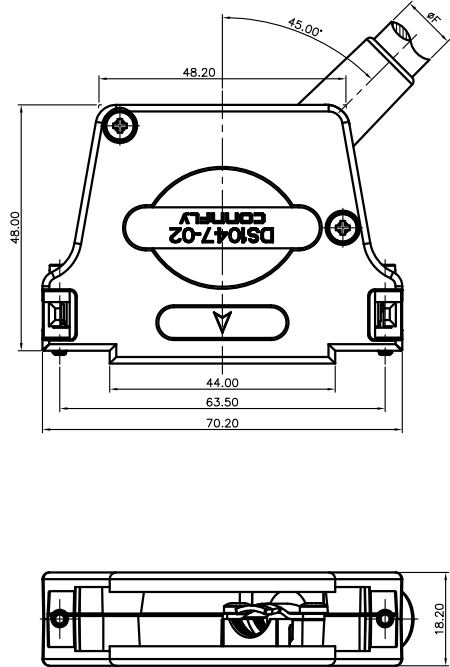
 晨翔电子有限公司
CONNFLY® CONNFLY ELECTRONIC CO., LTD

REV.	DESCRIPTION	DRAWN	CHECKED	APPROVED
A	NEW RELEASE	YCH 03/22/11'	~	LJC 03/22/11'
B	ADD P/N CODE	YCH 12/07/13'	~	

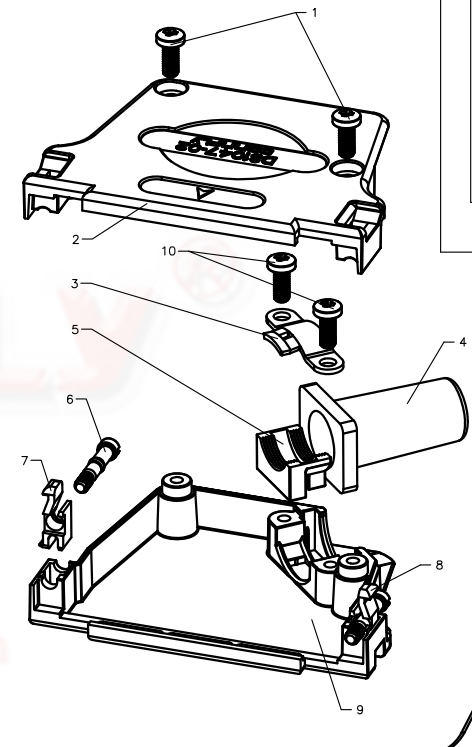
		φF
TYPE A	W/ SR	φ9
	W/O SR	φ3.0~φ12.0
TYPE B	W/ SR	φ11.5
	W/O SR	φ12.0~φ15.0

NOTES:
1. PART NUMBER CODE:
DS1047-02 - 37 X X X X - X

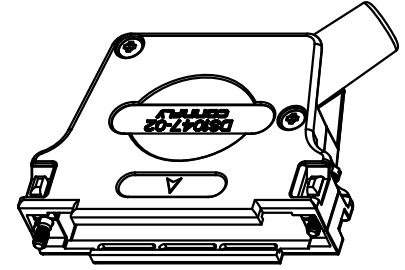
- LOGO Support
- X: W/O LOGO
- N/A: CONNFLY LOGO
- SR Support
- S: W/ SR
- X: W/O SR
- Type Support
- A: Type A
- B: Type B
- Packing type
- 1: Mix packing
- 2: Separation packing
- Cover Material
- M: Metal(Zinc alloy)
- Positions
- 37: 37pin



TYPE A



TYPE B




ITEM	PART NAME	Q'ty	NOTES
1	SCREW	2	M3
2	METAL HOOD-1	1	Znic alloy
3	WASHER	1	
4	CABLE REDUCTION PLATE	2	
5	SR	1	
6	STRAIN RELIEF	1	
7	BOLT	2	UNC 4-40
8	LATCH-1	1	
9	LATCH-2	1	
10	METAL HOOD-2	1	Znic alloy
11	SCREW	2	M3

ITEM	PART NAME	Q'ty	NOTES
1	SCREW	2	M3
2	METAL HOOD-1	1	Znic alloy
3	WASHER	1	
4	SR	1	
5	STRAIN RELIEF	1	
6	BOLT	2	UNC 4-40
7	LATCH-1	1	
8	LATCH-2	1	
9	METAL HOOD-2	1	Znic alloy
10	SCREW	2	M3

GENERAL TOLERANCE	ANGLE TOLERANCE
X. ±0.60	X. ±5°
.X ±0.38	.X ±3°
.XX ±0.25	.XX ±2°

PROJECTION	TITLE	D-SUB 37pin Metal Hoods Large Angled Cable Outlet	
UNITS	mm	SERIES	DS1047-02 SERIES
SHEET SIZE	A4		

DRAWING TYPE	CUSTOMER
SCALE	1:1 SHEET 1 OF 1
DRAWING NO.	C-DS1047-02-37XXXX-X


晨翔电子有限公司
CONNFLY ELECTRONIC CO., LTD