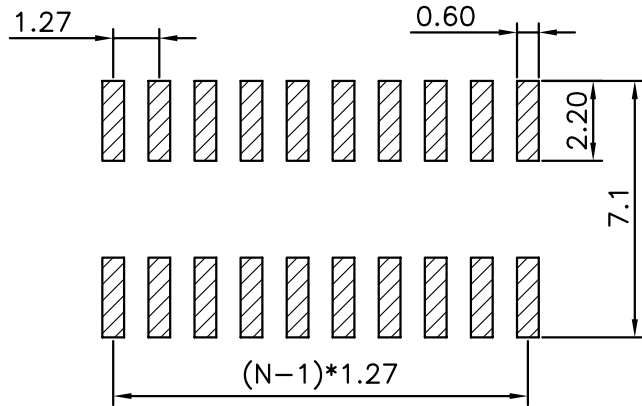
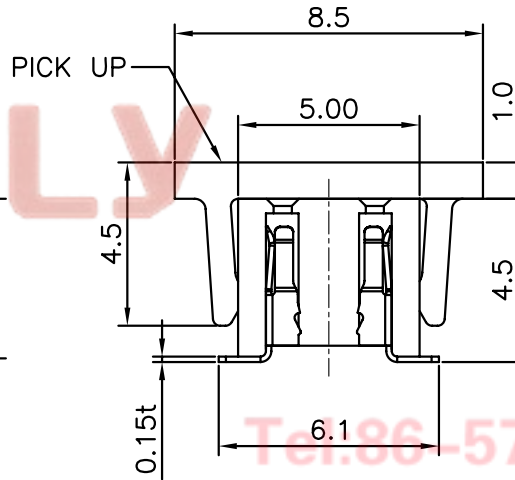
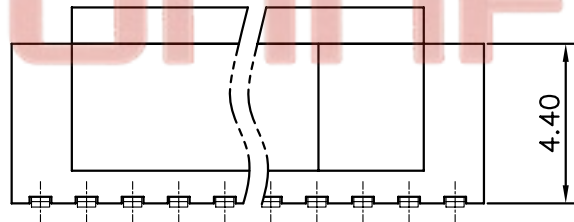
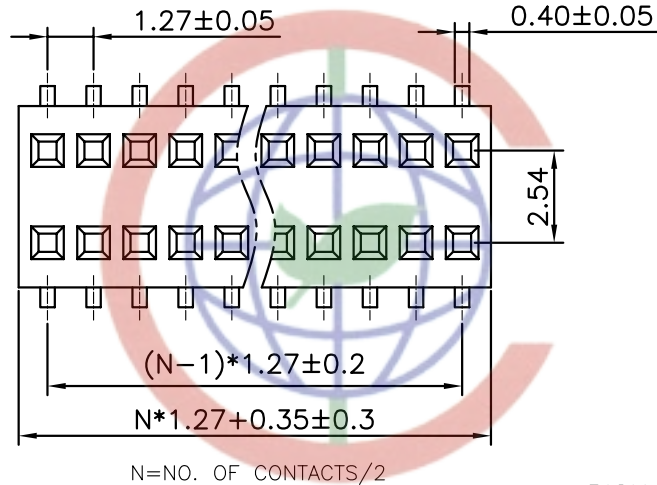


REV.	DESCRIPTION	DRAWN	CHECKED	APPROVED
A	NEW RELEASE	LJC 05/09/08'		



Recommend PCB Layout
Tolerance=±0.05

NOTES:

1. SPECIFICATIONS

- . Current Rating: 1A.
- . Insulation Resistance: 500MΩ Min.
- . Dielectric Withstanding: 300V AC.
- . Contact Resistance: 20mΩ Max.
- . Operating Temperature: -40°C to+105°C.

2.MATERIALS

- . Contact Material: Copper alloy
- . Insulator: High Temperature Materials(UL94V-0).

3.PART NUMBER: DS1065-10

4.PRODUCT NUMBER CODE:

DS1065-10 - X X X X X X

PACKING TYPE

- A: TUBE
- R: TAPE ON REEL
- T: TRAY

PICK UP SUPPORT

- S: W/ PICK UP
- X: W/O PICK UP

HOUSING COLOR

- B:BLACK

CONTACT PLATING

- 8: FULL GOLD FLASH

MOUNTING TYPE

- S:SMT TYPE

No.OF CONTACTS

- 2*2-2*40

GENERAL TOLERANCE		ANGLE TOLERANCE		PROJECTION		TITLE	1.27*2.54mm Female Header	
X.	±0.60	X.	±5°	UNITS	mm		SMT TYPE	
.X	±0.38	.X	±3°	SHEET SIZE	A4	SERIES	DS1065-10	
.XX	±0.25	.XX	±2°					
DRAWING TYPE		CUSTOMER		晨翔电子有限公司 CONNFLY CONNFLY ELECTRONIC CO. LTD				
SCALE		1:1	SHEET					1 OF 1
DRAWING NO.		C-DS1065-10-XXXXX						

Tel:86-574-63508787

Fax:86-574-63510817

E-mail:sale@zhenqin.com.cn

Http://www.connfly.com

Add:East Industry Zone, KuangYan

P.C:515333