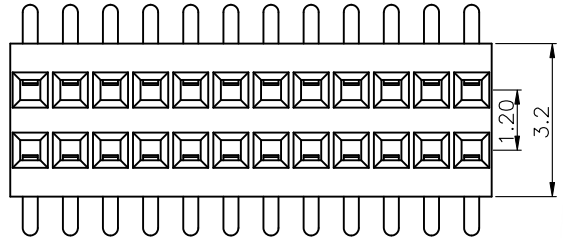
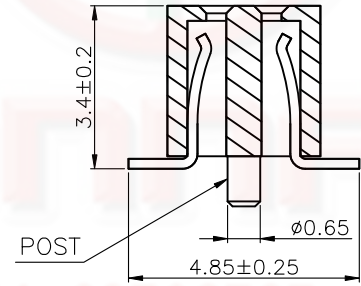
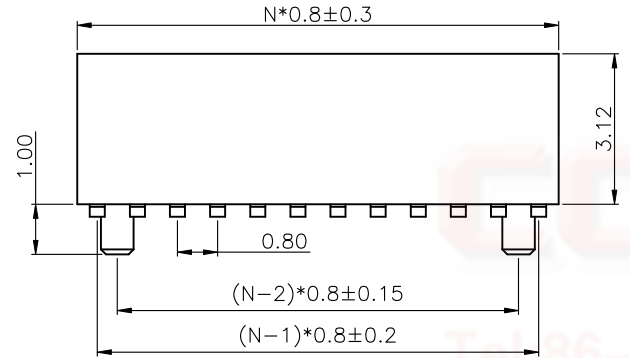


REV.	DESCRIPTION	DRAWN	CHECKED	APPROVED
A	NEW RELEASE	YCH 03/24/09	~	LJC 03/24/09
B	DRAWING UPDATE	JLZ 12/19/16'	~	



Pin 0.30*0.30
N=No.OF CONTACTS/2



POST

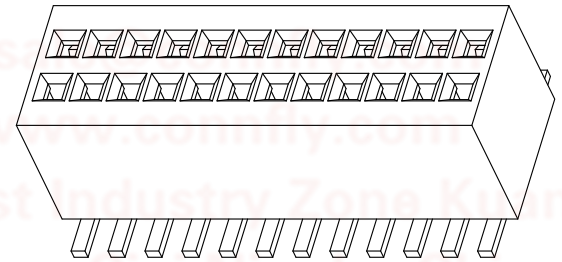
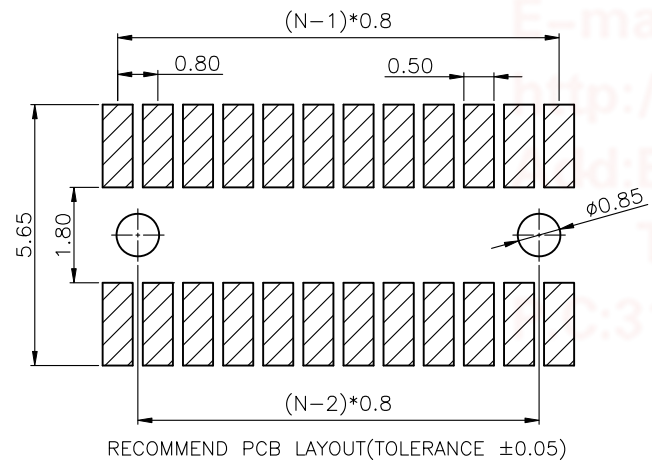
NOTES:

- SPECIFICATIONS
 - Current Rating: 0.75A
 - Insulation Resistance: 500MΩ Min
 - Dielectric Withstanding: 300V AC
 - Contact Resistance: 20mΩ Max
 - Operating Temperature: -40°C to+105°C
- MATERIALS:
 - Housing: Thermoplastic(UL94 V-0)
 - Contact: Copper alloy

3.PRODUCT NUMBER CODE:

DS1065-13 - X X X X X X

- POST SUPPORT
S:W/ POST
X:W/O POST
- PACKING TYPE
B:TUBE
R:TAPE ON REEL
- PICK UP SUPPORT
S:W/ PICK UP
X:W/O PICK UP
- HOUSING COLOR
B:BLACK
- CONTACT PLATING
8: FULL GOLD FLASH
6: FULL TIN
- No.OF CONTACTS
2*2-2*40



GENERAL TOLERANCE		ANGLE TOLERANCE	
X.	±0.60	X.	±5°
.X	±0.38	.X	±3°
.XX	±0.25	.XX	±2°

DRAWING TYPE	CUSTOMER		
SCALE	1:1	SHEET	1 OF 1
DRAWING NO.	C-DS1065-13-XXXXX-B		

PROJECTION		TITLE	0.8mm FEMALE HEADER SMT TYPE	
UNITS	mm	SERIES	DS1065-13	
SHEET SIZE	A4			

晨翔电子有限公司
CONNFLY CONNFLY ELECTRONIC CO. LTD