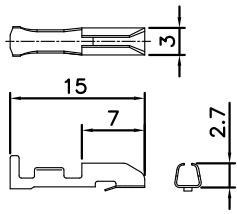


REV.	DESCRIPTION	DRAWN	CHECKED	APPROVED
A	NEW RELEASE	HP 29/06/05		

Female Terminal



Female Terminal

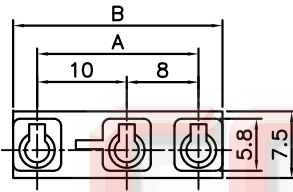
Wire Range		O.D of Wire
mm ²	AWG#	mm
0.2~0.5	24~18	1.6~2.7

NOTES:

- MAIN SPECIFICATIONS
 - Housing material: NYLON 66
 - Wire range: AWG#24~#18
 - Rated voltage: 250V
 - Rated current: 3A
 - Contact resistance: $\leq 30m\Omega$
 - Insulation resistance: $\geq 1000M\Omega$
 - Withstanding voltage: 500V, AC 1 minute
 - Temperature range: -25 ~ +85°C
 - Recommend PC board thickness: 1.6mm

Female Housing 2-6pin

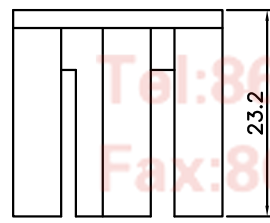
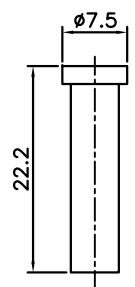
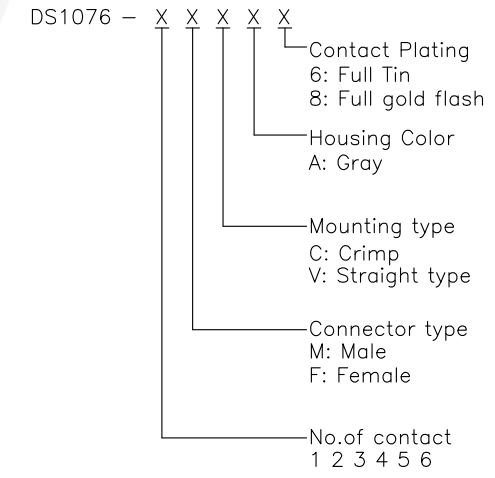
1pin



Female Housing

Position	Dimension	
	A	B
1		
2	10	16
3	18	24
4	26	32
5	34	40
6	42	48

2. PRODUCT NUMBER CODE:

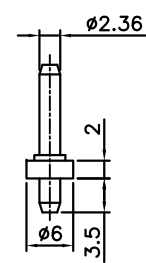


Male

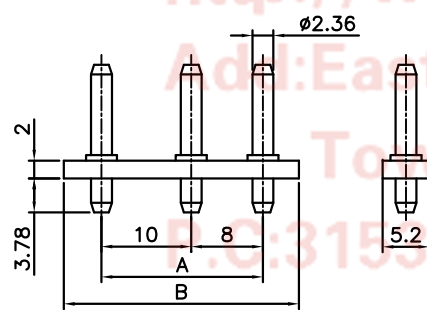
Position	Dimension	
	A	B
1		
2	10	18
3	18	26
4	26	34
5	34	42
6	42	50

Male

1pin



2-6pin



GENERAL TOLERANCE	ANGLE TOLERANCE	PROJECTION	TITLE	P.C.B CONNECTOR TJCI TYPE
X. ± 0.60	X. $\pm 5^\circ$	UNITS	mm	PITCH 10.0 - 8.0 - 8.0mm
.X ± 0.38	.X $\pm 3^\circ$	SHEET SIZE	A4	SERIES DS1076
.XX ± 0.25	.XX $\pm 2^\circ$	晨翔电子有限公司 CONNFLY CONNFLY ELECTRONIC CO. LTD		
DRAWING TYPE	CUSTOMER			
SCALE	1:1	SHEET	1 OF 1	
DRAWING NO.	C-DS1076-XXXXX			