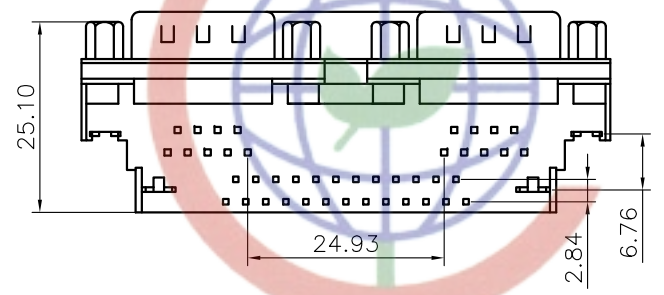
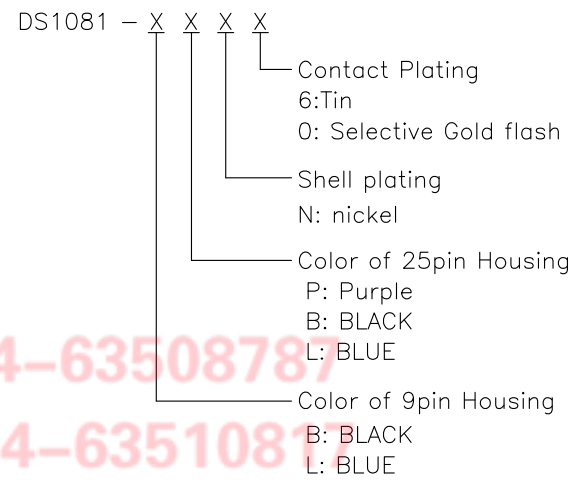


REV.	DESCRIPTION	DRAWN	CHECKED	APPROVED
A	NEW RELEASE	HP 18/06/05		

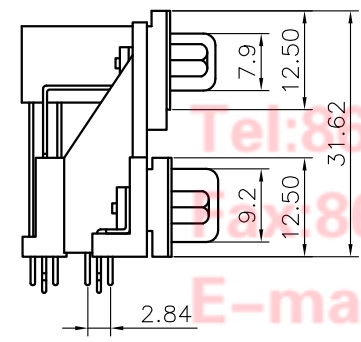
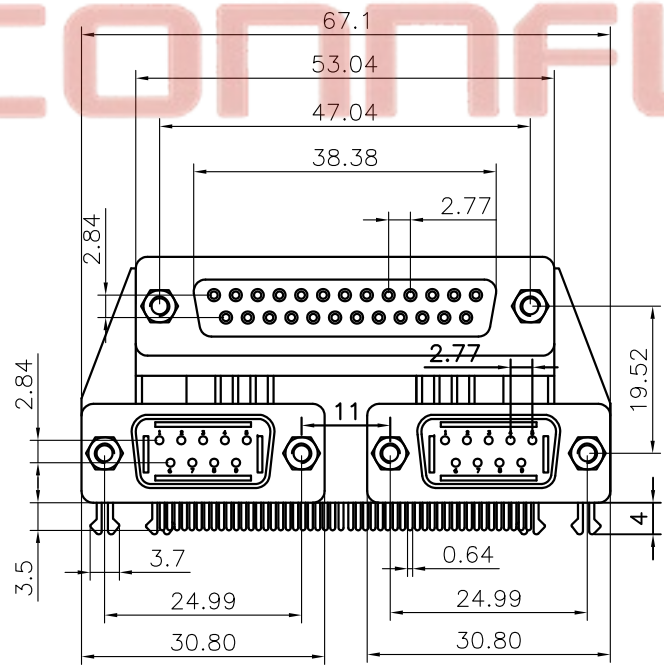


NOTES:

- SPECIFICATION:
 - Current Rating: 3A.
 - Insulation Resistance: 1000MΩ min.
 - Dielectric Withstanding: 500V for One minute.
 - Contact resistance: 100mΩ max.
 - Operating Temperature: -40°C to +105°C
- MATERIALS
 - Insulator: PBT With 30% Glass Fiber(UL 94V-0)
 - Contact: Copper alloy.
 - Shell: Stel.
 - Board Lock: Copper alloy
- PRODUCT NUMBER CODE:



CONNFLY



Tel: 86-574-63508787
 Tel: 86-574-6351081
 E-mail: sale@zhenqin.com.cn
 Http://www.connfly.com

GENERAL TOLERANCE	ANGLE TOLERANCE	PROJECTION	TITLE	D-SUB CONNECTORS THREE		
X. ±0.60	X. ±5°	UNITS	mm	IN ONE(25F/2*9M)		
.X ±0.38	.X ±3°	SHEET SIZE	A4	SERIES	DS1081	
.XX ±0.25	.XX ±2°	晨翔电子有限公司 CONNFLY CONNFLY ELECTRONIC CO. LTD				
DRAWING TYPE	CUSTOMER					
SCALE	1:1					SHEET
DRAWING NO.	C-DS1081-W1T					