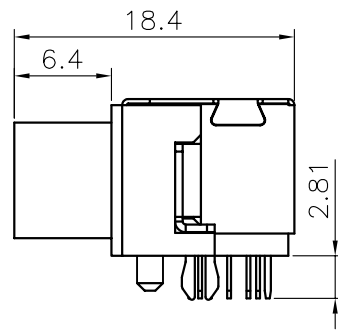
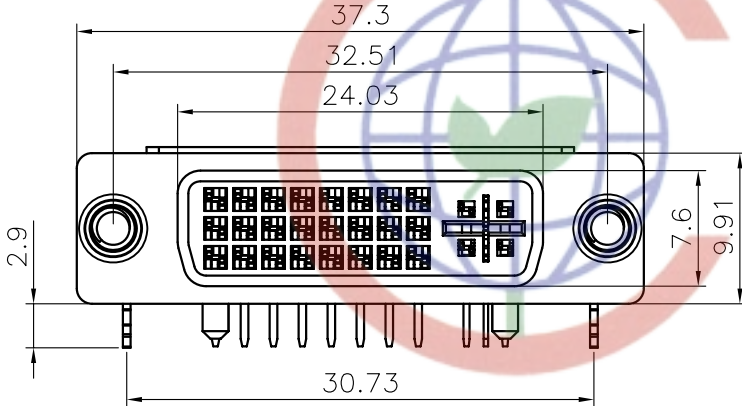


REV.	DESCRIPTION	DRAWN	CHECKED	APPROVED
A	NEW RELEASE	YCH 12/16/09'	~	



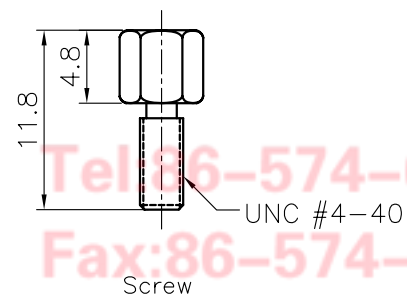
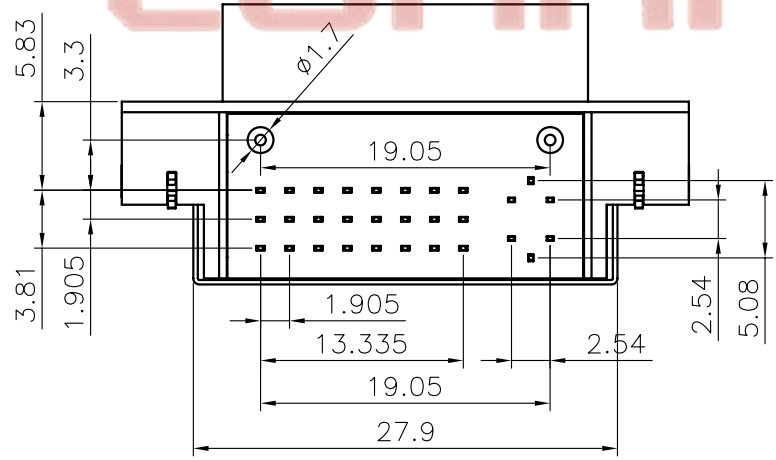
NOTES:

- SPECIFICATIONS
  - Contact Resistance: 30mΩ max
  - Insulation Resistance: 1000MΩ min.
  - Current Rating: 1A
  - Dielectric withstanding voltage: AC 500V For 1 minute
  - Contact: Copper alloy.
  - Housing: Thermoplastic(UL 94V-0)

2. PRODUCT NUMBER CODE:

DS1091-01 - X X X X

- Screw type
  - X: W/O screw
  - S: W/ #4-40(UNC) screw
  - D: Rivet Type With Screw In Bulk Package
- Contact plating
  - 0: Selective gold flash
- Shell plating
  - N: Nickel
  - 6: Tin
- Color of housing
  - W: WHITE
  - B: BLACK
  - V: Ivory



Tel: 86-574-63508787  
 Fax: 86-574-63510817  
 E-mail: sale@zhenqin.com.cn  
 Http://www.connfly.com

GENERAL TOLERANCE		ANGLE TOLERANCE		PROJECTION		TITLE	DVI RECEPTACLE 24+5 SHIELDING TYPE	
X.	±0.60	X.	±5°	UNITS	mm	SHEET SIZE	A4	SERIES DS1091-01
.X	±0.38	.X	±3°					
.XX	±0.25	.XX	±2°					
DRAWING TYPE		CUSTOMER				晨翔电子有限公司 <b>CONNFLY CONNFLY ELECTRONIC CO. LTD</b>		
SCALE		1:1	SHEET 1 OF 1					
DRAWING NO.		C-DS1091-01-XXXX						