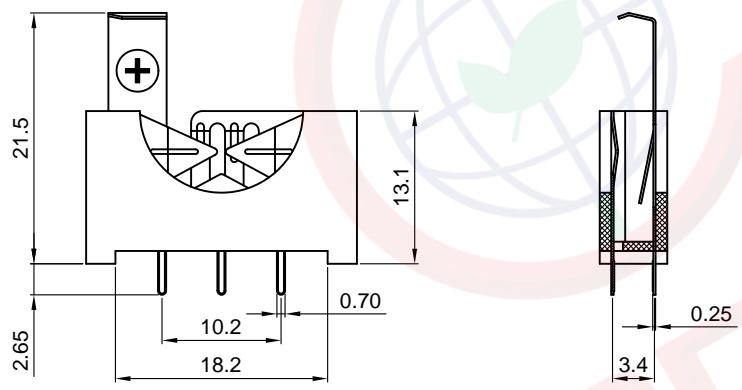
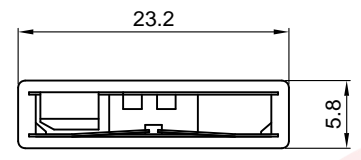


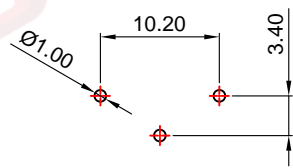
Dept	
Qty	
DC	1
ED	1
IE	1
ISO	1
PD	1
R&D	1
SD	1
QA	1
QC	1
QE	1

The information provided herein is from CONNELY Electronic Co., Ltd. and is confidential. Any disclosure to a party other than the recipient is prohibited. The intellectual properties and its rights contained herein, including but not limited to, trademarks, patents, copyrights, trade secrets, and technical know-how, are owned exclusively by CONNELY or its affiliates. Unauthorized use or reproduction of any part of this document is strictly prohibited. CONNELY may enforce its intellectual property rights at its own discretion, failures or delays to exercise such rights does not constitute a waiver of such rights.

REV.	DESCRIPTION	DRAWN	CHECKED	APPROVED
A	NEW RELEASE	JLZ 08/07/12'		LJC 08/07/12'
B	DRWING UPDATE	JLZ 08/31/16'		LJC 08/31/16'
C	DRWING UPDATE	JLZ 06/10/17'		



(Series Image-Reference Only)



Recommend PCB Layout
Tolerance=±0.05

NOTE:

- Materials:
 - Base: Thermoplastic, UL94 V-0, Color of black.
Temp. Range: -25°C to +85°C.
 - Positive & Negative Contacts: Copper Alloy.
- Specification:
 - Dielectric Withstanding Voltage: AC 500V AC.
 - Insulation Resistance: 1000MΩ min.
 - Contact Resistance: 100mΩ Max.
- Part Number Code:
DS1092-16 - X X X

- Housing material:
P: PBT
- Contact plating:
6: Tin
- Housing color:
B: Black

GENERAL TOLERANCE		ANGLE TOLERANCE		PROJECTION		TITLE	2032 Lithium Coin Cell	
X.	±0.60	X.	±5°	UNITS	mm	Battery Holders Upright insert type		
.X	±0.38	.X	±3°	SHEET SIZE	A4	SERIES	DS1092-16 SERIES	
.XX	±0.25	.XX	±2°	晨翔电子有限公司 CONNELY CONNELY ELECTRONIC CO. LTD				
DRAWING TYPE		CUSTOMER						
SCALE		1:1						
DRAWING NO.		C-DS1092-16-XXX-C						