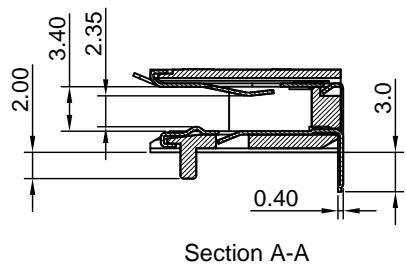
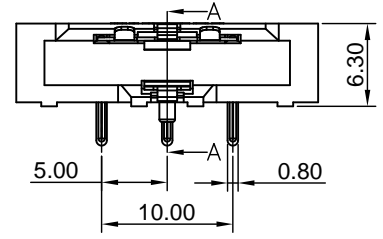
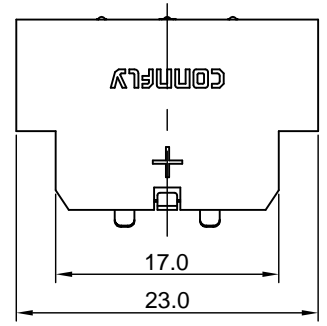
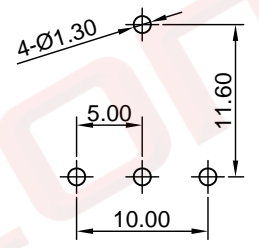
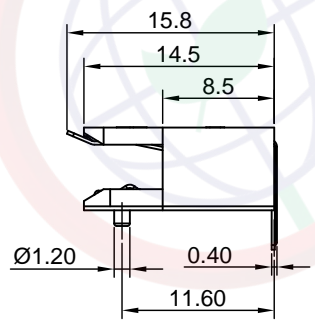


Dept	
Qty	
DC	1
ED	1
IE	1
ISO	1
PD	1
R&D	1
SD	1
QA	1
QC	1
QE	1

The information provided herein is from CONNELY Electronic Co., Ltd. and is confidential. Any disclosure to a party other than the recipient is prohibited. The intellectual properties and its rights contained herein, including but not limited to, trademarks, patents, copyrights, trade secrets, and technical know-how, are owned exclusively by CONNELY or its affiliates. Unauthorized use or reproduction of any part of this document without the prior written permission of CONNELY may constitute a violation of its intellectual property rights. CONNELY may enforce its intellectual property rights at its own discretion, failures or delays to exercise such rights does not constitute a waiver of such rights. Its use in any format or manner. CONNELY may enforce its intellectual property rights at its own discretion, failures or delays to exercise such rights does not constitute a waiver of such rights.



(Series Image-Reference Only)



Recommend PCB Layout
Tolerance:±0.05


REV.	DESCRIPTION	DRAWN	CHECKED	APPROVED
A	NEW RELEASE	ZHJ 12/29/16'	HZW 12/29/16'	LJC 12/29/16'
B	DRAWING UPDATE	JLZ 08/21/18'		

NOTE:

- Materials:
 - 1.1 Base: Thermoplastic,UL94 V-0,Color of black.
Temp.Range: -20°C to +85°C.
 - 1.2 Positive & Negative Contacts: Copper Alloy.
- Specification:
 - 2.1 Dielectric Withstanding Voltage: AC 100V AC.
 - 2.2 Insulation Resistance: 1000MΩ min.
 - 2.3 Contact Resistance: 100mΩ Max.
- Part Number Code:
DS1092-22 - X X X

- Housing material:
N: Nylon
- Contact plating:
6: Tin
- Housing color:
B: Black

GENERAL TOLERANCE		ANGLE TOLERANCE		PROJECTION	⊕	TITLE	2032 Lithium Coin Cell Battery Holders DIP Type		
X.	±0.60	X.	±5°	UNITS	mm				
.X	±0.38	.X	±3°	SHEET SIZE	A4	SERIES	DS1092-22 SERIES		
.XX	±0.25	.XX	±2°						
DRAWING TYPE		CUSTOMER							
SCALE		1:1	SHEET	1 OF 1					
DRAWING NO.		C-DS1092-22-XXX-B							



晨翔电子有限公司
CONNFLY CONNELY ELECTRONIC CO. LTD