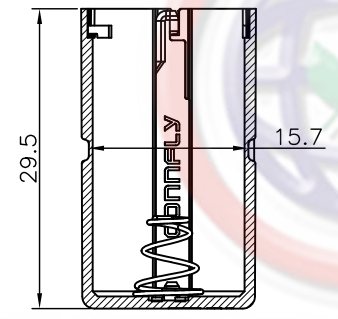
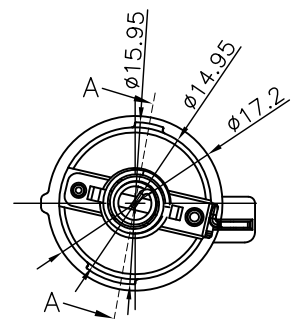


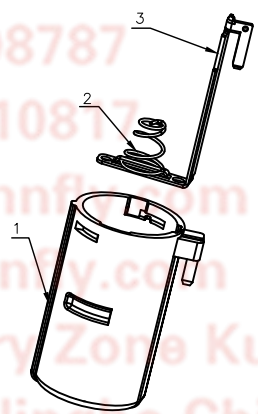
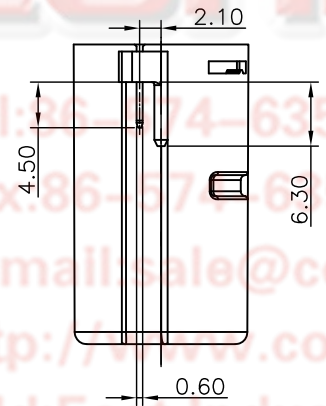
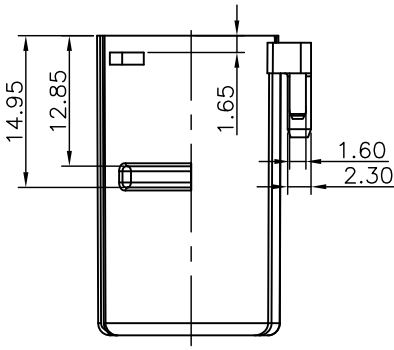
Dept	1	2	3	4	5	6	7	8
Qty	1	1	1	1	1	1	1	1
DC	1							
ED	1							
IE	1							
ISO	1							
PD	1							
R&D	1							
SD	1							
QA	1							
QC	1							
QE	1							

REV.	DESCRIPTION	DRAWN	CHECKED	APPROVED
A	NEW RELEASE	JLZ 01/10/19'		

The information provided herein is from CONNELY Electronic Co., Ltd. and is confidential. Any disclosure to a party other than the recipient is prohibited. The intellectual properties and its rights contained herein, including but not limited to, trademarks, patents, copyrights, trade secrets, and technical know-how, are owned exclusively by CONNELY or its affiliates. Unauthorized use or reproduction of any part of this document in any format or manner. CONNELY may enforce its intellectual property rights at its own discretion; failures or delays to exercise such rights does not constitute a waiver of such rights.



SECTION A-A  
SCALE 1:1



NOTES:

- ELECTRICAL CHARACTERISTICS:
  - CONTACT RESISTANCE: 260mΩ Max.
  - DIELECTRIC WITHSTANDING VOLTAGE: 500V AC(rms) FOR 1 MINUTE.
  - INSULATION RESISTANCE: 100MΩ Min.
  - CURRENT RATING:1A.
  - VOLTAGE RATING:30V DC.
- ENVIRONMENT CHARACTERISTICS:
  - TEMPERATURE: -25°C~+70°C.
- MATERIALS
  - CONTACT MATERIAL: COPPER ALLOY, NICKEL PLATED.
  - INSULATOR MATERIALS: PC, GRAY.
- PRODUCT NUMBER CODE: DS1092-35 - X X X X 0 X 0

- Packing Type  
P:Ploybag
- Housing Color  
A:Gray
- Contact Plating  
N:Nickel
- Mounting Type  
P:Press Fit
- Connector Type  
F:Female

Tel: 86-574-63508787  
 Fax: 86-574-63510817  
 E-mail: sale@connfly.com  
 http://www.connfly.com  
 Add: East Industry Zone KuangYan  
 Town Cixi Ningbo China  
 P.C: 315333

GENERAL TOLERANCE		ANGLE TOLERANCE	
X.	±0.60	X.	±5°
.X	±0.38	.X	±3°
.XX	±0.25	.XX	±2°

PROJECTION		TITLE	Battery Holders Barrel Type Box
UNITS	mm		
SHEET SIZE	A4	SERIES	DS1092-35 SERIES

3	Contact	Copper Alloy	Nickel Plated
2	Spring	Stainless steel	-
1	Housing	PC	Gray, UL94 V-0
ITEM	PART NAME	MATERILAS	FINISHED

DRAWING TYPE	CUSTOMER		
SCALE	1:1	SHEET	1 OF 1
DRAWING NO.	C-DS1092-35-XXXX0X0-A		

**晨翔电子有限公司**  
**CONNFLY CONNELY ELECTRONIC CO. LTD**