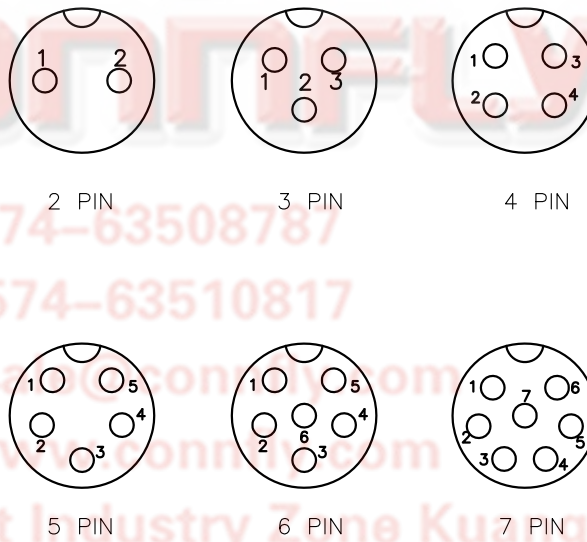
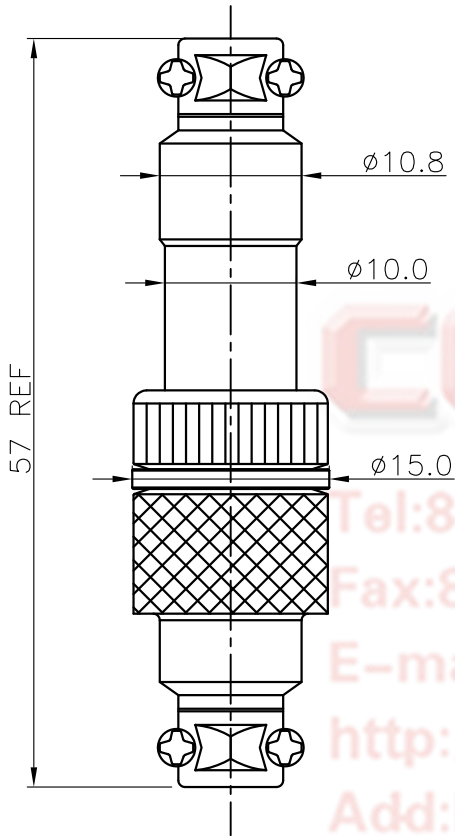


Dept
 Qty
 DC 1
 ED 1
 IE 1
 ISO 1
 PD 1
 R&D 1
 SD 1
 QA 1
 QC 1
 QE 1
 The information provided herein is from CONNELY Electronic Co., Ltd. and is confidential. Any disclosure to a party other than the recipient is prohibited. The intellectual properties and its rights contained herein, including but not limited to, trademarks, patents, copyrights, trade secrets, and technical know-how, are owned exclusively by CONNELY or its affiliates. Unauthorized use of this information in any format or manner. CONNELY may enforce its intellectual property rights at its own discretion; failures or delays to exercise such rights does not constitute a waiver of such rights.

| REV. | DESCRIPTION | DRAWN | CHECKED | APPROVED |
|------|----------------|---------------|---------------|---------------|
| A | NEW RELEASE | JLZ 05/20/17' | HZW 05/20/17' | LJC 05/20/17' |
| B | DRAWING UPDATE | JLZ 11/10/18' | | |
| | | | | |



NOTES:

1.SPECIFICATION

- .CURRENT RATING: 5A Max.
- .DIELECTRIC WITH STANDING VOLTAGE: 1000V(AC)
- .CONTACT RESISTANCE: 20mΩ Max.
- .INSULATION RESISTANCE: 1000MΩ(DC)Min

2.PRODUCT NUMBER CODE:

DS1110-16 - X X X X

- SHELL SURFACE FINISHED
N: Nickel
- CONTACT PLATING
6: Silver
- COLOR OF HOUSING:
B: Black
- No. OF CONTACTS
02: 2pin 03: 3pin
04: 4pin 05: 5pin
06: 6pin 07: 7pin

Tel:86-574-6350878/
 Fax:86-574-63510817
 E-mail:sales@connely.com
 http://www.connely.com
 Add:East Industry Zone Kuaqiangyan
 Town Cixi Ningbo China
 P.C:315333

| | | | | | | | |
|-------------------|-------|-------------------|--------|---|----|---------------------------------------|----------------------------------|
| GENERAL TOLERANCE | | ANGLE TOLERANCE | | PROJECTION | | TITLE | Micro Jack Total Length=57mm Ref |
| X. | ±0.60 | X. | ±5° | UNITS | mm | (Pin Ø1.2) Wire To Wire Threaded Type | |
| .X | ±0.38 | .X | ±3° | SHEET SIZE | A4 | SERIES | DS1110-16 SERIES |
| .XX | ±0.25 | .XX | ±2° | 晨翔电子有限公司 CONNELY CONNELY ELECTRONIC CO. LTD | | | |
| DRAWING TYPE | | CUSTOMER | | | | | |
| SCALE | 1:1 | SHEET | 1 OF 1 | | | | |
| DRAWING NO. | | C-DS1110-16-XXX-B | | | | | |