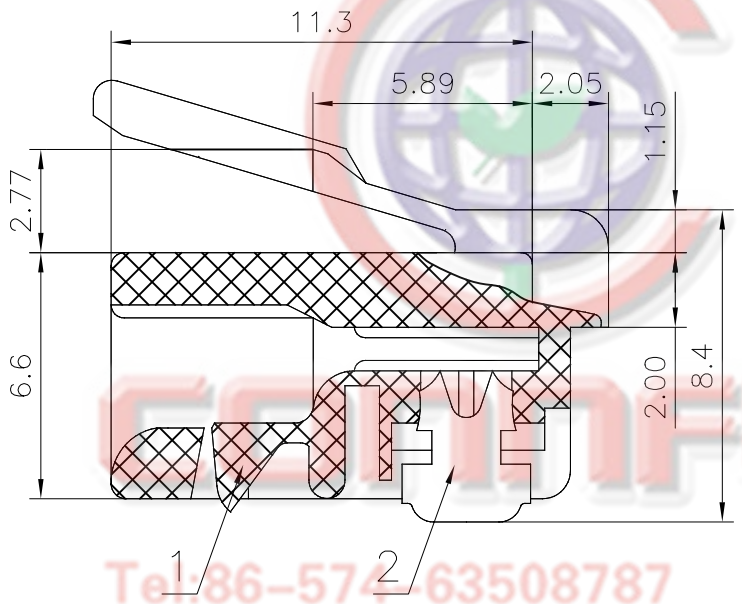
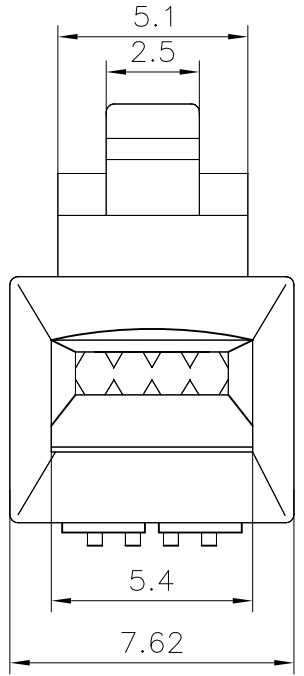


REV.	DESCRIPTION	DRAWN	CHECKED	APPROVED
A	NEW RELEASE	LL 06/28/06'		



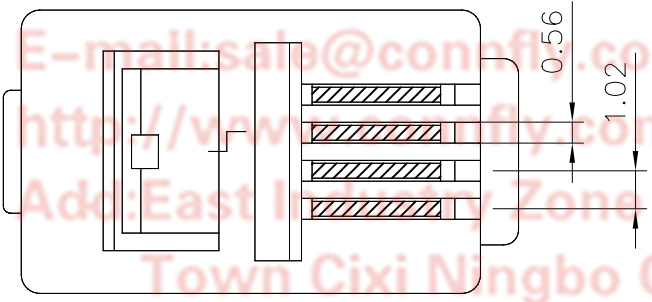
Tel: 86-574-63508787  
 Fax: 86-574-63510817  
 E-mail: sales@connfly.com  
 http://www.connfly.com  
 Add: East Industry Zone KuangYan  
 Town Cixi Ningbo China  
 P.C: 315333

**SPECIFICATION**

1. Insulation Resistance: 1000MΩ Min.
2. Withstand Voltage: 500V AC/Minute.
3. Durability: 600 Cycles Min.
4. Contact resistance: 50mΩ max.
5. Product Number Code:

DS1121-01 - X X X X

- Housing Color  
T: Transparent
- Contact Plating  
0: Gold Flash 15: 15u''Au  
3: 3u''Au 30: 30u''Au  
6: 6u''Au
- No. Of Contacts  
4: 4p4c
- Connector Type  
P: Plug
- Series No.  
DS1121-01



(2)	BLADE	4	Copper alloy	GOLD PLATING
(1)	HOUSING	1	PC	UL94 V-0 OR 94 V-2
No.	PART NAME	Q'TY	MATERIAL	REMARK

GENERAL TOLERANCE		ANGLE TOLERANCE	
X.	±0.60	X.	±5'
.X	±0.38	.X	±3'
.XX	±0.25	.XX	±2'

DRAWING TYPE	CUSTOMER	
SCALE	1:1	SHEET 1 OF 1
DRAWING NO.	C-DS1121-01-XXXX	

PROJECTION	TITLE
UNITS mm	Plug 4P4C ROUND TYPE
SHEET SIZE A4	SERIES DS1121-01 SERIES

晨翔电子有限公司  
CONNFLY CONNFLY ELECTRONIC CO. LTD