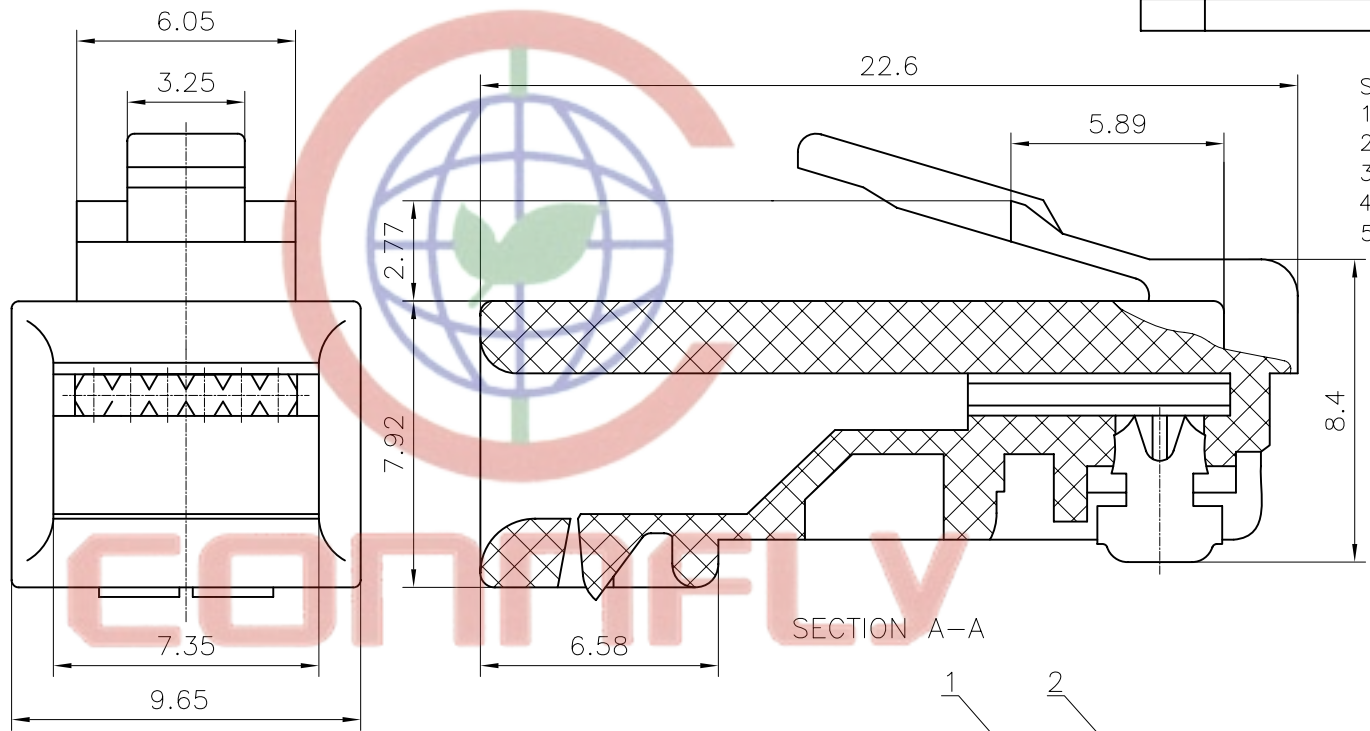


REV.	DESCRIPTION	DRAWN	CHECKED	APPROVED
A	NEW RELEASE	YCH 08/23/07'	~	



SPECIFICATION

- Insulation Resistance:1000MΩ Min.
- Withstand Voltage:500V AC/Minute.
- Durability:600 Cycles Min.
- Contact resistance:50mΩ max.
- Product Number Code:
DS1122-02 - X X X X

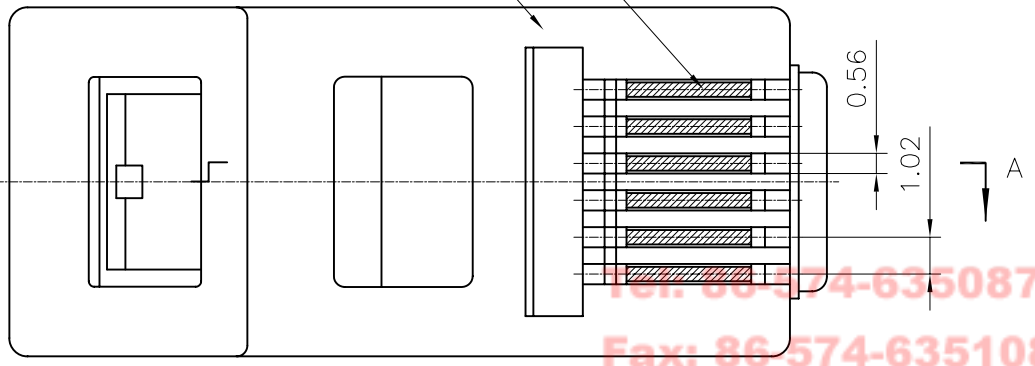
Housing Color
T:Transparent

Contact Plating
0:Gold Flash 15:15u''Au
3:3u''Au 30:30u''Au
6:6u''Au

No.Of Contacts
6:6p6c

Connector Type
P:Plug

Series No.
DS1122-02



Tel: 86-574-63508787
Fax: 86-574-63510817

No.	PART NAME	Q'TY	MATERIAL	REMARK
(2)	BLADE	6	Copper alloy	GOLD PLATING
(1)	HOUSING	1	PC	UL94 V-0 OR 94 V-2

GENERAL TOLERANCE		ANGLE TOLERANCE	
X.	±0.60	X.	±5'
.X	±0.38	.X	±3'
.XX	±0.25	.XX	±2'

DRAWING TYPE	CUSTOMER
SCALE	1:1
DRAWING NO.	C-DS1122-02-XXXX

PROJECTION	TITLE
UNITS	mm
SHEET SIZE	A4
SERIES	DS1122-02 SERIES

Plug 6P6C SQUARE WITH LONG TYPE(22.6mm)

CONNFLY **晨翔电子有限公司** **CONNFLY ELECTRONIC CO. LTD**