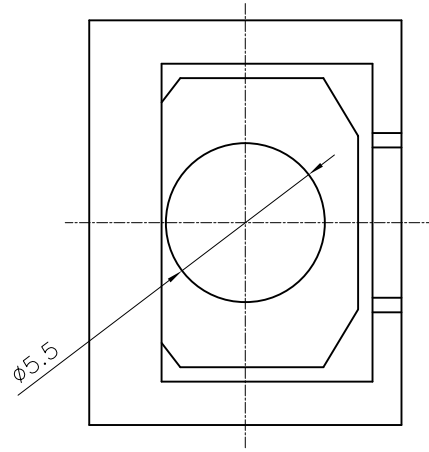
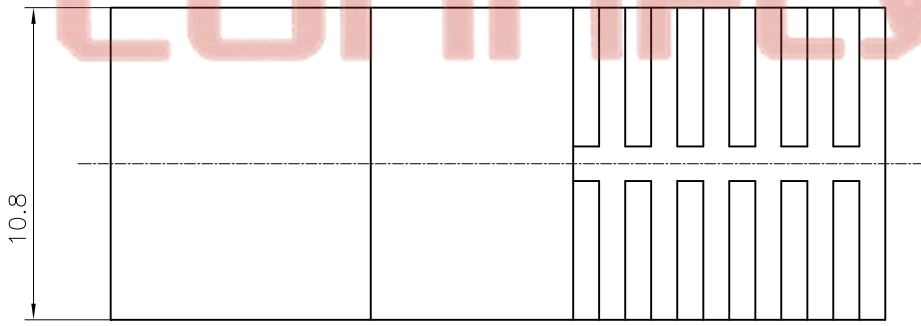
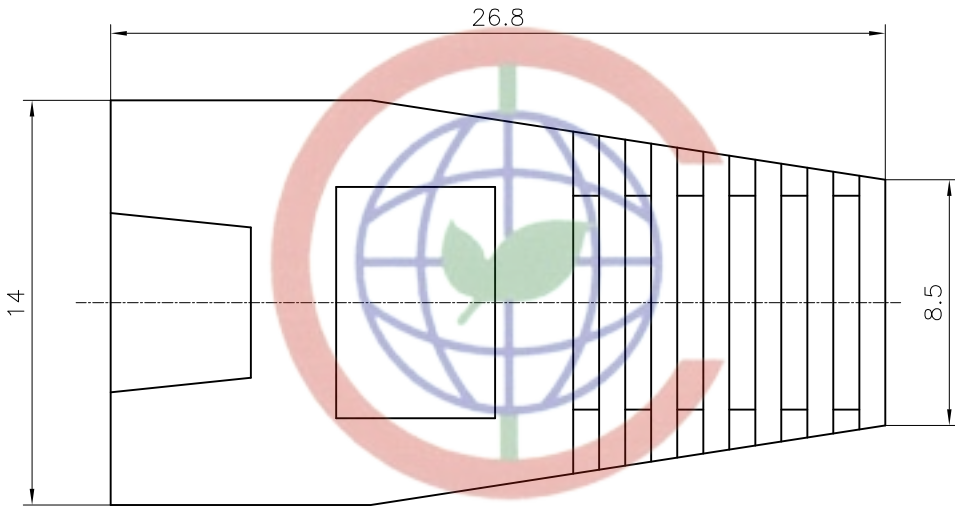


REV.	DESCRIPTION	DRAWN	CHECKED	APPROVED
A	NEW RELEASE	YCH 08/26/07'	~	



SPECIFICATION

- MATERIAL: PVC
- Product Number Code:
DS1124-04 - P X
 - Hood Color
 - V:Ivory
 - A:Gray
 - R:Red
 - G:Green
 - B:Black
 - Y:Yellow
 - Connector Type
 - P:Plug
 - Series No. DS1124-04

Tel: 86-574-63508787
Fax: 86-574-63510817

GENERAL TOLERANCE		ANGLE TOLERANCE		PROJECTION	TITLE
X.	±0.60	X.	±5°	mm	PLUG 10P HOOD(FLAT CABLE OD=φ5.5)
.X	±0.38	.X	±3°	A4	SERIES DS1124-04 SERIES
.XX	±0.25	.XX	±2°		
DRAWING TYPE	CUSTOMER			晨翔电子有限公司 CONNFLY CONNFLY ELECTRONIC CO. LTD	
SCALE	1:1	SHEET	1 OF 1		
DRAWING NO.	CIDS1124-04-PX				

CONNFLY

http://www.connfly.com.cn
Add: West Lake, Xiaoshan District, Hangzhou, China
P.C.:315321