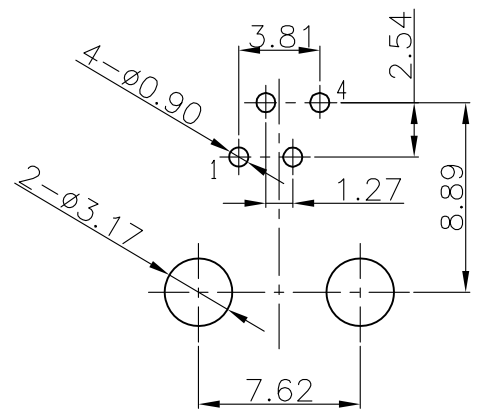
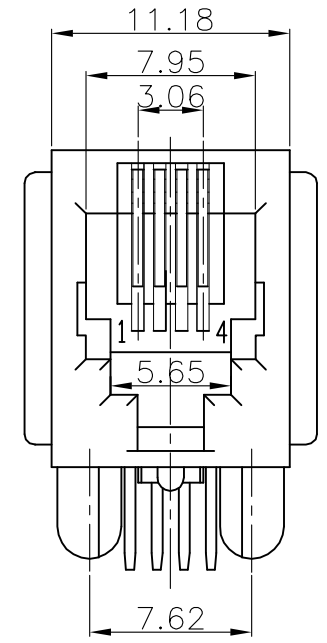
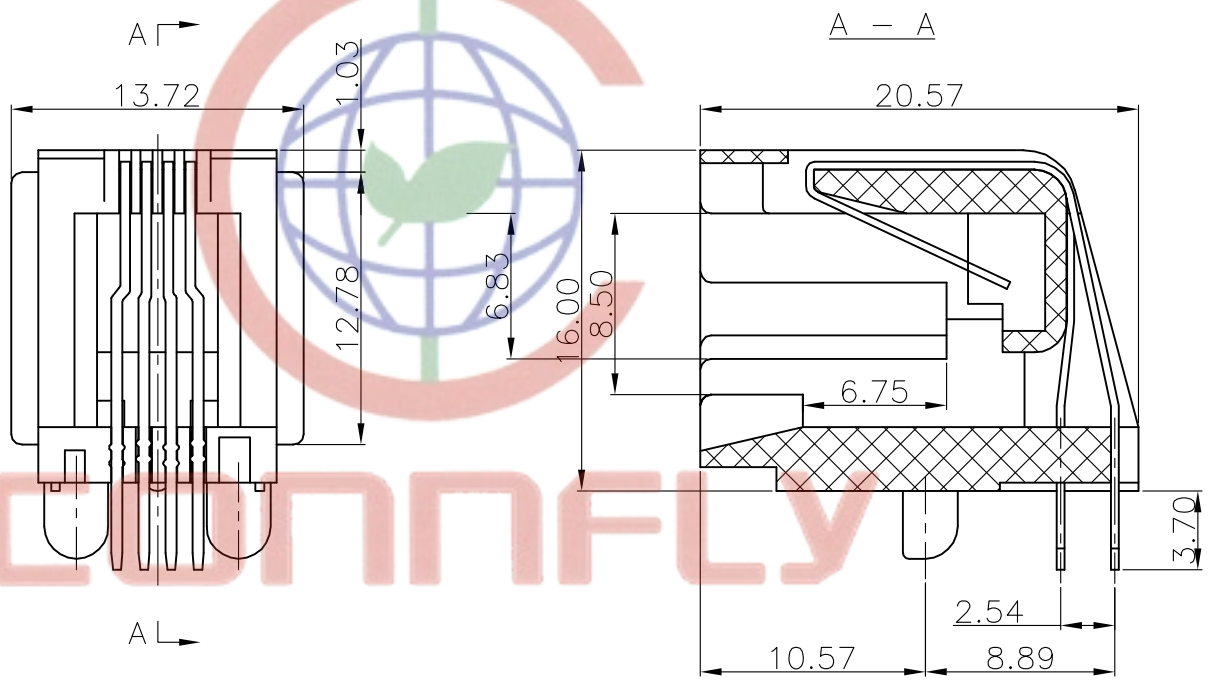


REV.	DESCRIPTION	DRAWN	CHECKED	APPROVED
A	NEW RELEASE	YCH 06/22/10'	~	



RECOMMEND PCB LAYOUT
TOLERANCE=±0.05mm

SPECIFICATION

1. Insulation Resistance:1000MΩ Min.
2. Withstand Voltage:500V AC/Minute.
3. Durability:600 Mating Cycles Min.
4. Contact Resistance: 50mΩ Max.
5. Product Number Code:

DS1132-03-X X X X

- Ear Support
- S:W/ Ear
- X:W/O Ear
- Housing Color
- B:Black A:Gray
- Contact Plating
- 0:Gold Flash
- 3:Selective 3u" Gold
- (6;15;30)Micro Inch
- No.Of Contacts
- 4:4P4C
- Connector Type
- S:Socket

Tel:86-574-63508787
Fax:86-574-6351081
E-mail:sale@zhengqing.com.cn
Http://www.connfly.com

GENERAL TOLERANCE		ANGLE TOLERANCE		PROJECTION	TITLE	PCB JACK 4p	
X.	±0.60	X.	±5°	mm		SHEET SIZE	DS1132-03 SERIES
.X	±0.38	.X	±3°	A4			
.XX	±0.25	.XX	±2°				
DRAWING TYPE		CUSTOMER		晨翔电子有限公司 CONNFLY ELECTRONIC CO. LTD			
SCALE		1:1	SHEET 1 OF 1				
DRAWING NO.		C-DS1132-03-XXXX					