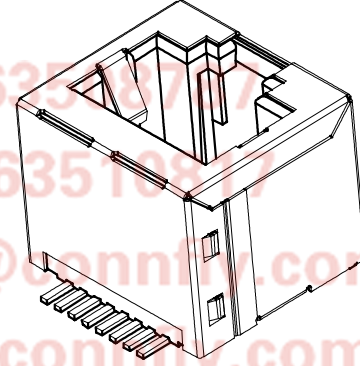
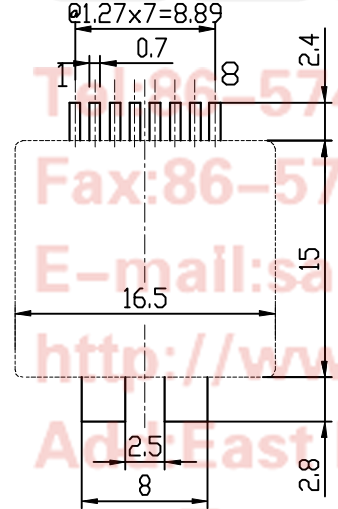
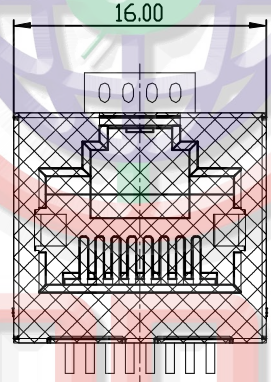
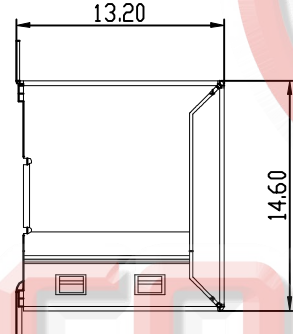
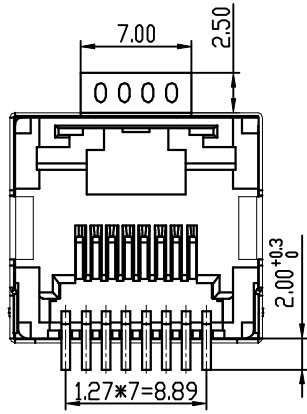


REV.	DESCRIPTION	DRAWN	CHECKED	APPROVED
A	NEW RELEASE	JLZ 04/25/16'		

NOTES:

- ELECTRICAL CHARACTERISTICS:
  - CONTACT RESISTANCE: 20mΩ Max.
  - DIELECTRIC WITHSTANDING VOLTAGE: 1000V AC(rms) FOR 1 MINUTE.
  - INSULATION RESISTANCE: 1000MΩ Min @ 500V DC.
  - CURRENT RATING: 1.5A @ 25°C.
  - VOLTAGE RATING: 150V AC RMS.
- ENVIRONMENT CHARACTERISTICS:
  - TEMPERATURE: -40°C~+85°C.
- MATERIALS
  - CONTACT MATERIAL: COPPER ALLOY, SELECTIVE GOLD.
  - INSULATOR MATERIALS: LCP,UL94-V0.
- PRODUCT NUMBER CODE:  
DS1132-07-X X X X X

- Packing type  
R: Tape on reel  
T: Tray
- Contact Plating  
0: Selective Gold Flash
- Housing Color  
B: Black
- No.Of Contacts  
8: 8p8c
- Connector Type  
S: Socket



RECOMMEND PCB LAYOUT  
(TOLERANCE=±0.05)

GENERAL TOLERANCE		ANGLE TOLERANCE	
X.	±0.60	X.	±5°
.X	±0.38	.X	±3°
.XX	±0.25	.XX	±2°
DRAWING TYPE CUSTOMER			
SCALE	1:1	SHEET	1 OF 1
DRAWING NO.	C-DS1132-07-XXXXX-A		

PROJECTION		TITLE
UNITS	mm	PCB Jack 8 Positions W/ Shell SMT TYPE
SHEET SIZE	A4	SERIES DS1132-07 SERIES

晨翔电子有限公司  
CONNFLY CONNFLY ELECTRONIC CO. LTD