

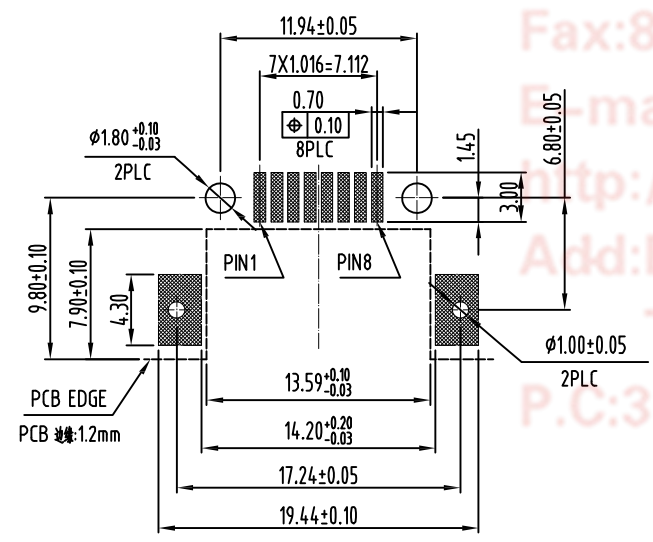
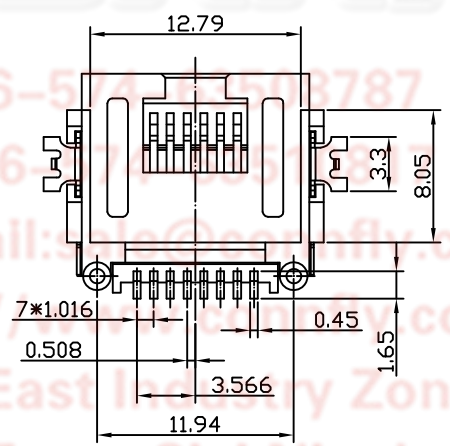
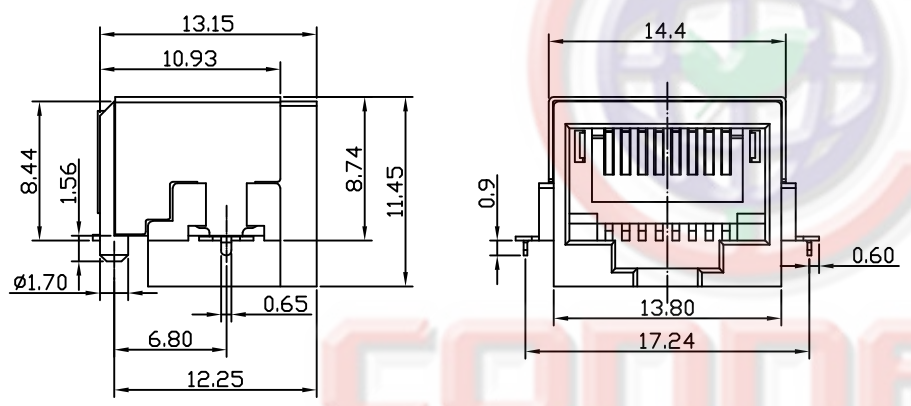
| REV. | DESCRIPTION | DRAWN         | CHECKED | APPROVED |
|------|-------------|---------------|---------|----------|
| A    | NEW RELEASE | JLZ 08/09/17' |         |          |
|      |             |               |         |          |
|      |             |               |         |          |

NOTES:

- ELECTRICAL CHARACTERISTICS:
  - CONTACT RESISTANCE: 20mΩ Max.
  - DIELECTRIC WITHSTANDING VOLTAGE: 1000V AC(rms) FOR 1 MINUTE.
  - INSULATION RESISTANCE: 1000MΩ Min @ 500V DC.
  - CURRENT RATING: 1.5A @ 25°C.
  - VOLTAGE RATING: 125V AC RMS.
- ENVIRONMENT CHARACTERISTICS:
  - TEMPERATURE: -40°C~+85°C.
- MATERIALS
  - CONTACT MATERIAL: COPPER ALLOY, SELECTIVE GOLD.
  - INSULATOR MATERIALS: LCP, UL94-V0.
- PRODUCT NUMBER CODE:
 

DS1132-08-X X X X X

Packing type  
 R:Tape on reel  
 T:Tray  
  
 Contact Plating  
 0:Seclective Gold Flash  
  
 Housing Color  
 B:Black  
  
 No.Of Contacts  
 8:8p8c  
  
 Connector Type  
 S:Socket



RECOMMEND PCB LAYOUT

|                   |       |                     |        |  |    |        |  |  |
|-------------------|-------|---------------------|--------|--|----|--------|--|--|
| GENERAL TOLERANCE |       | ANGLE TOLERANCE     |        | PROJECTION   |    | TITLE  | PCB Jack 8 Positions W/ Shell SMT TYPE |  |
| X.                | ±0.60 | X.                  | ±5°    | UNITS  | mm | SHEET  | A4                                     |  |
| .X                | ±0.38 | .X                  | ±3°    | SHEET SIZE   | A4 | SERIES | DS1132-08 SERIES                       |  |
| .XX               | ±0.25 | .XX                 | ±2°    | <b>晨翔电子有限公司</b><br><b>CONNFLY CONNFLY ELECTRONIC CO. LTD</b> |    |        |  |  |
| DRAWING TYPE      |       | CUSTOMER            |        |  |    |        |  |  |
| SCALE             | 1:1   | SHEET               | 1 OF 1 |  |    |        |  |  |
| DRAWING NO.       |       | C-DS1132-08-XXXXX-A |        |  |    |        |  |  |