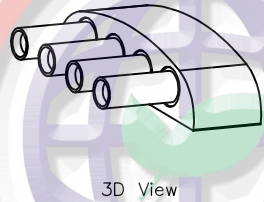
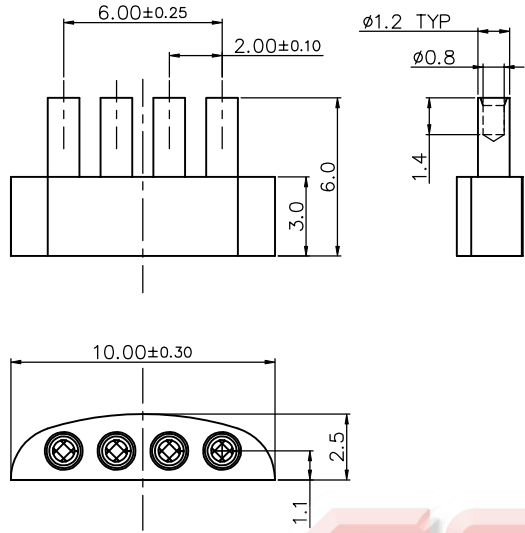


Female



REV.	DESCRIPTION	DRAWN	CHECKED	APPROVED
A	NEW RELEASE	Kevin 10/20/15'		

NOTES:

1.Materials:

Insulator: PBT Colour: White or Black, UL94 V-0.
Rated, RoHS, REACH compliance.

1.2. Contact: Copper Alloy, Plating Tin or Gold .

2.Specifications:

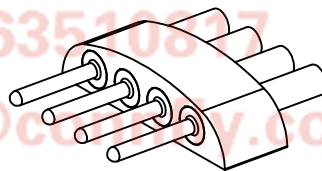
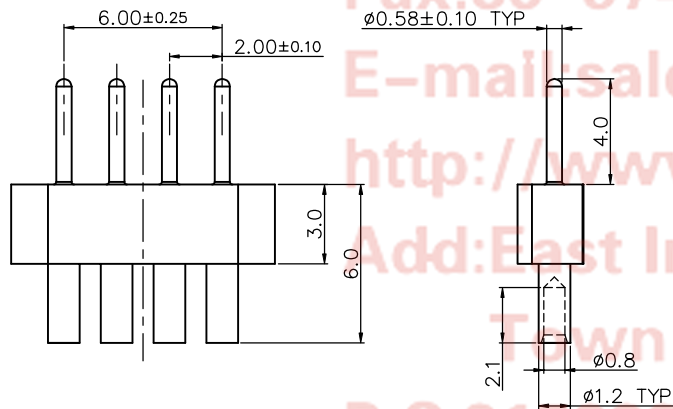
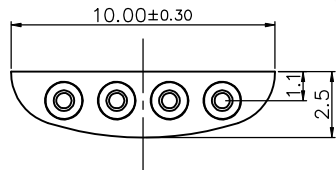
- 2.1. Contact Resistance: 20mΩ maximum.
- 2.2. Dielectric Withstanding Voltage: 1000V AC 1 minute.
- 2.3. Insulation Resistance: 1000MΩ minimum.
- 2.4. Temperature Range: -40°C~+105°C.
- 2.5. Durability: 1000 cycles min.
- 2.6. Application wire range: AWG26~24

3. Product Number Code:

DS1137-22 - X X X X X X X

- Packing Type
P: Ploybag
- Clip plating(Female Only)
8: Full gold flash.
C: Full 3u" gold.
- Housing Color
W: White
B: Black
- Pin plating
6: Full tin.
8: Full gold flash.
- Mounting type
W: Solder type
- Connector type
F: Female
M: Male
- No. of positions
4: 4p

Male



Tel:86-574-63508787
Fax:86-574-63510817
E-mail:sale@connfly.com
http://www.connfly.com
Add:East Industry Zone KuangYan
Town Cixi Ningbo,China
P.C:315333

GENERAL TOLERANCE		ANGLE TOLERANCE	
X.	±0.60	X.	±5°
.X	±0.38	.X	±3°
.XX	±0.25	.XX	±2°

DRAWING TYPE	CUSTOMER
SCALE	1:1
SHEET	1 OF 1
DRAWING NO.	C-DS1137-22-XXXXXXX-A

PROJECTION	⊙ □	TITLE	2.00mm LED Series Plug & Socket Solder Type Connector
UNITS	mm	SHEET SIZE	A4
SHEET SIZE	A4	SERIES	DS1137-22 SERIES

晨翔电子有限公司
CONNFLY CONNFLY ELECTRONIC CO. LTD